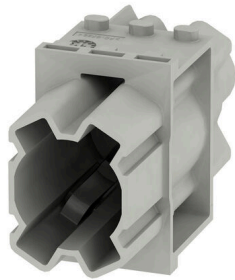


HDC MHP 200 FC

Weidmüller Interface GmbH & Co. KG
Klingenbergstraße 26
D-32758 Detmold
Germany

www.weidmueller.com



Flexible

The four module sizes make for individual plug solutions that save a huge amount of space. The smaller pitch translates into an optimised design too.

General ordering data

| | |
|------------|--|
| Version | Power module, 1000 V, 200 A, Number of poles: 1, Crimp connection, Female, Required plug-in slots: 1.5 |
| Order No. | 2549260000 |
| Type | HDC MHP 200 FC |
| GTIN (EAN) | 4050118558685 |
| Qty. | 1 items |

HDC MHP 200 FC

Weidmüller Interface GmbH & Co. KG
Klingenbergstraße 26
D-32758 Detmold
Germany

www.weidmueller.com

Technical data

Approvals

Approvals



ROHS Conform

UL File Number Search [UL Website](#)

Certificate No. (cURus) E92202

Dimensions and weights

| | | | |
|------------|----------|-----------------|-------------|
| Depth | 34 mm | Depth (inches) | 1.3386 inch |
| Height | 59.6 mm | Height (inches) | 2.3465 inch |
| Width | 21.85 mm | Width (inches) | 0.8602 inch |
| Net weight | 12 g | | |

Temperatures

Limit temperature -40 °C ... 125 °C

Environmental Product Compliance

| | |
|------------------------|--|
| RoHS Compliance Status | Compliant without exemption |
| REACH SVHC | Potassium perfluorobutane sulfonate 29420-49-3 |
| SCIP | 1609748e-c278-4c9b-b3d1-e6215d2988cd |

General data

| | | | |
|-----------------------------------|--------------------|--------------------------------------|---------------------------------------|
| Number of poles | 1 | UL 94 flammability rating | V-0 |
| Insulation resistance | 10 ¹² Ω | Plugging cycles | ≥ 500 |
| Type | Female | Surge voltage category | III |
| Pollution severity | 3 | Basic material | Polycarbonate, glass fibre reinforced |
| Series | ModuPlug | Rated voltage (DIN EN 61984) | 1000 V |
| Rated voltage according to UL/CSA | 600 V | Rated impulse voltage (DIN EN 61984) | 8 kV |
| Rated current (DIN EN 61984) | 200 A | Required plug-in slots | 1.5 |

PE connection data

| | |
|--------------------|-----------------------------------|
| Connection type PE | Screw connection via module frame |
|--------------------|-----------------------------------|

Version

| | | | |
|------------------------------------|--------------------|-------------------------------|--------------------|
| Stripping length, rated connection | 19 mm | Type of connection | Crimp connection |
| Conductor cross-section, max. | 70 mm ² | Conductor cross-section, min. | 25 mm ² |

Classifications

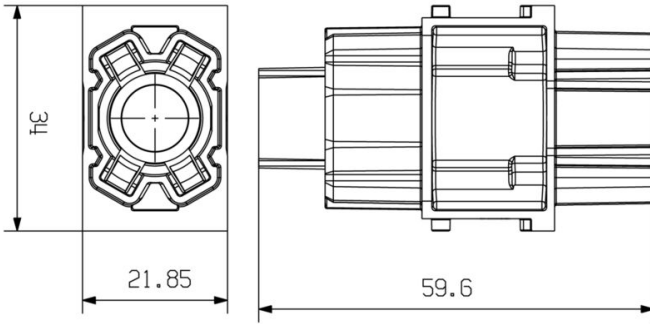
| | | | |
|-------------|-------------|-------------|-------------|
| ETIM 8.0 | EC000438 | ETIM 9.0 | EC000438 |
| ETIM 10.0 | EC000438 | ECLASS 14.0 | 27-44-02-17 |
| ECLASS 15.0 | 27-44-02-17 | | |

HDC MHP 200 FC

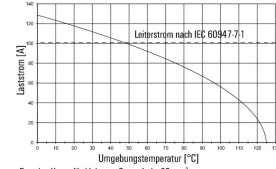
Weidmüller Interface GmbH & Co. KG
 Klingenbergstraße 26
 D-32758 Detmold
 Germany

Drawings

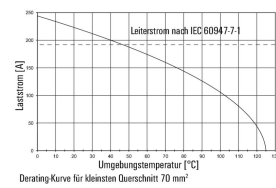
www.weidmueller.com



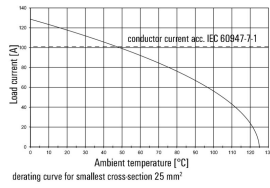
HP 200 mit H07V-K25 / IP65-Gehäuse / 4-polig



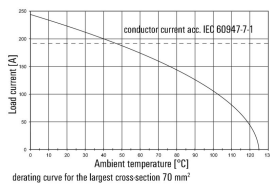
HP 200 / IP65-Gehäuse / 4 Pole



HP 200 with H07V-K25 / IP65 housing / 4 poles



HP 200 / IP65 housing / 4 poles



HDC MHP 200 FC

Weidmüller Interface GmbH & Co. KG
 Klingenbergstraße 26
 D-32758 Detmold
 Germany

www.weidmueller.com

Accessories

200 A crimp contacts



Crimps provide a electrical and mechanical connection between wire and contact that is both secure and reliable. The optimal crimp connection is gas-tight and corrosion-resistant.

General ordering data

| | | |
|------------|----------------------------|---|
| Type | HDC MHP200 F 25 | Version |
| Order No. | 2514820000 | Female, silver, 25 - 25 mm ² |
| GTIN (EAN) | 4050118528466 | |
| Qty. | 10 ST | |
| Type | HDC MHP200 F 35 | Version |
| Order No. | 2514830000 | Female, silver, 35 - 35 mm ² |
| GTIN (EAN) | 4050118528473 | |
| Qty. | 10 ST | |
| Type | HDC MHP200 F 50 | Version |
| Order No. | 2514840000 | Female, silver, 50 - 50 mm ² |
| GTIN (EAN) | 4050118528480 | |
| Qty. | 10 ST | |
| Type | HDC MHP200 F 70 | Version |
| Order No. | 2514850000 | Female, silver, 70 - 70 mm ² |
| GTIN (EAN) | 4050118528497 | |
| Qty. | 10 ST | |

Contact removal tools



Weidmüller offers a variety of crimping tools, contact removal tools, and fibre optic tools.

General ordering data

| | | |
|------------|----------------------------|---------|
| Type | HDC MHP200 REMOVAL TOOL | Version |
| Order No. | 2617240000 | |
| GTIN (EAN) | 4050118705430 | |
| Qty. | 1 ST | |

HDC MHP 200 FC

Weidmüller Interface GmbH & Co. KG
Klingenbergstraße 26
D-32758 Detmold
Germany

www.weidmueller.com

Counterpart

Electrical modules



Flexible

The four module sizes make for individual plug solutions that save a huge amount of space. The smaller pitch translates into an optimised design too.

General ordering data

| | | | |
|------------|----------------------------|--|--|
| Type | HDC MHP 200 MC | Version | |
| Order No. | 2548900000 | Power module, 1000 V, 200 A, Number of poles: 1, Crimp connection, Male, Required plug-in slots: 1.5 | |
| GTIN (EAN) | 4050118619287 | | |
| Qty. | 1 ST | | |