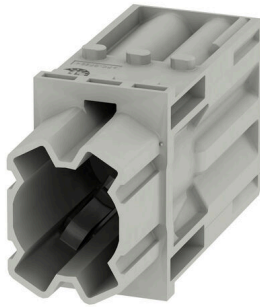


HDC MHP 200 MC

Weidmüller Interface GmbH & Co. KG
Klingenbergstraße 26
D-32758 Detmold
Germany

www.weidmueller.com



Flexible

The four module sizes make for individual plug solutions that save a huge amount of space. The smaller pitch translates into an optimised design too.

General ordering data

Version	Power module, 1000 V, 200 A, Number of poles: 1, Crimp connection, Male, Required plug-in slots: 1.5
Order No.	2548900000
Type	HDC MHP 200 MC
GTIN (EAN)	4050118619287
Qty.	1 items

HDC MHP 200 MC

Weidmüller Interface GmbH & Co. KG
Klingenbergstraße 26
D-32758 Detmold
Germany

www.weidmueller.com

Technical data

Approvals

Approvals



ROHS Conform

UL File Number Search [UL Website](#)

Certificate No. (cURus) E92202

Dimensions and weights

Depth	34 mm	Depth (inches)	1.3386 inch
Height	60.3 mm	Height (inches)	2.374 inch
Width	21.85 mm	Width (inches)	0.8602 inch
Net weight	12 g		

Temperatures

Limit temperature -40 °C ... 125 °C

Environmental Product Compliance

RoHS Compliance Status	Compliant without exemption
REACH SVHC	Potassium perfluorobutane sulfonate 29420-49-3
SCIP	1609748e-c278-4c9b-b3d1-e6215d2988cd

General data

Number of poles	1	UL 94 flammability rating	V-0
Insulation resistance	10 ¹² Ω	Plugging cycles	≥ 500
Type	Male	Surge voltage category	III
Pollution severity	3	Basic material	Polycarbonate, glass fibre reinforced
Series	ModuPlug	Rated voltage (DIN EN 61984)	1000 V
Rated voltage according to UL/CSA	600 V	Rated impulse voltage (DIN EN 61984)	8 kV
Rated current (DIN EN 61984)	200 A	Required plug-in slots	1.5

PE connection data

Connection type PE	Screw connection via module frame
--------------------	-----------------------------------

Version

Stripping length, rated connection	19 mm	Type of connection	Crimp connection
Conductor cross-section, max.	70 mm ²	Conductor cross-section, min.	25 mm ²

Classifications

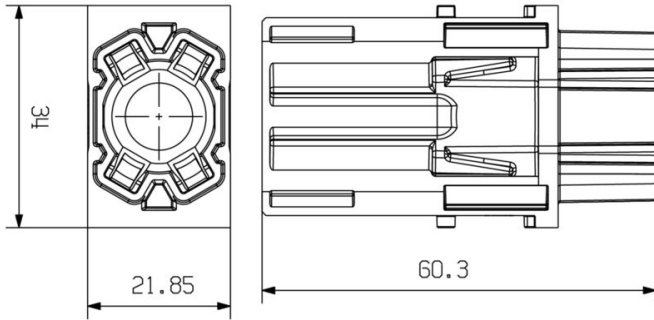
ETIM 8.0	EC000438	ETIM 9.0	EC000438
ETIM 10.0	EC000438	ECLASS 14.0	27-44-02-17
ECLASS 15.0	27-44-02-17		

HDC MHP 200 MC

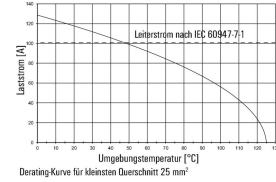
Weidmüller Interface GmbH & Co. KG
 Klingenbergstraße 26
 D-32758 Detmold
 Germany

Drawings

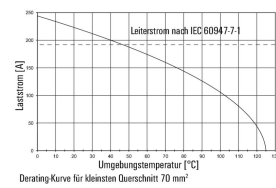
www.weidmueller.com



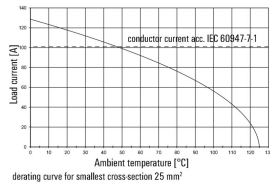
HP 200 mit H07V-K25 / IP65-Gehäuse / 4-polig



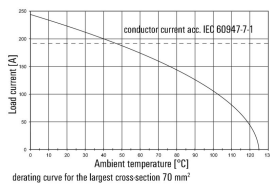
HP 200 / IP65-Gehäuse / 4 Pole



HP 200 with H07V-K25 / IP65 housing / 4 poles



HP 200 / IP65 housing / 4 poles



HDC MHP 200 MC

Weidmüller Interface GmbH & Co. KG
 Klingenbergstraße 26
 D-32758 Detmold
 Germany

www.weidmueller.com

Accessories

200 A crimp contacts



Crimps provide a electrical and mechanical connection between wire and contact that is both secure and reliable. The optimal crimp connection is gas-tight and corrosion-resistant.

General ordering data

Type	HDC MHP200 M 25	Version
Order No.	2514860000	Male, silver, 25 - 25 mm ²
GTIN (EAN)	4050118528503	
Qty.	10 ST	
Type	HDC MHP200 M 35	Version
Order No.	2514870000	Male, silver, 35 - 35 mm ²
GTIN (EAN)	4050118528510	
Qty.	10 ST	
Type	HDC MHP200 M 50	Version
Order No.	2514880000	Male, silver, 50 - 50 mm ²
GTIN (EAN)	4050118528527	
Qty.	10 ST	
Type	HDC MHP200 M 70	Version
Order No.	2514890000	Male, silver, 70 - 70 mm ²
GTIN (EAN)	4050118528534	
Qty.	10 ST	

Miscellaneous



In addition to heavy-duty connectors, RockStar® includes the appropriate accessories for effective, functional and safe system cabling; e.g. coding systems, shield clamps, cover plates and replacement seals

General ordering data

Type	HDC MHP200 REMOVAL TOOL	Version
Order No.	2617240000	
GTIN (EAN)	4050118705430	
Qty.	1 ST	

HDC MHP 200 MC

Weidmüller Interface GmbH & Co. KG
Klingenbergstraße 26
D-32758 Detmold
Germany

www.weidmueller.com

Counterpart

Electrical modules



Flexible

The four module sizes make for individual plug solutions that save a huge amount of space. The smaller pitch translates into an optimised design too.

General ordering data

Type	HDC MHP 200 FC	Version	
Order No.	2549260000	Power module, 1000 V, 200 A, Number of poles: 1, Crimp connection, Female, Required plug-in slots: 1.5	
GTIN (EAN)	4050118558685		
Qty.	1 ST		