

## HDC 64D TOBU 1M40G EMC

**Weidmüller Interface GmbH & Co. KG**  
 Klingenbergstraße 26  
 D-32758 Detmold  
 Germany

[www.weidmueller.com](http://www.weidmueller.com)



The new Weidmüller RockStar® IP65 EMV enclosures are ideally suited for use in the harshest environmental conditions and provide protection against electromagnetic interference. A heavy-duty connector consists of a connector insert and its protective housing. The new plastic straps are easy to lock and can be replaced at any time. All Weidmüller RockStar® enclosures are made of high quality die-cast aluminium. This makes them impact- and corrosion-resistant, yet compact and lightweight.

### General ordering data

Version	HDC enclosures, Installation size: 8, Protection degree: IP65, in plugged condition, Cable entry from top, Plug housing, Side-locking clamp on lower side, high, Size of cable entries: M 40
Order No.	<a href="#">2544060000</a>
Type	HDC 64D TOBU 1M40G EMC
GTIN (EAN)	4050118618280
Qty.	1 items

## HDC 64D TOBU 1M40G EMC

Weidmüller Interface GmbH & Co. KG  
Klingenbergstraße 26  
D-32758 Detmold  
Germany

www.weidmueller.com

## Technical data

## Approvals

Approvals



UL File Number Search [UL Website](#)  
Certificate No. (cURus) E92202

## Dimensions and weights

Depth	120 mm	Depth (inches)	4.7244 inch
Height	76 mm	Height (inches)	2.9921 inch
Width	45.5 mm	Width (inches)	1.7913 inch
Net weight	330 g		

## Temperatures

Limit temperature -40 °C ... 125 °C

## Environmental Product Compliance

RoHS Compliance Status	Compliant without exemption	
REACH SVHC	No SVHC above 0.1 wt%	
Chemical resistance	Substance	Hydraulic oil
	Chemical resistance	Resistant
	Substance	Petrol
	Chemical resistance	Resistant
	Substance	UV
	Chemical resistance	Resistant
	Substance	Ozone
Chemical resistance	Resistant	

## Dimensions

Cable entry w. thread

## General data

UL 94 flammability rating	V-0	Surface finish	Powder coating
Protection degree	IP65, in plugged condition		

## Version

Size of cable entries	M 40	Top part/bottom part/lid	upper part
Cover	without cover	Number of cable entry on top	1
Number of cable entry sideways	0	Design of housing	Cable entry from top, Plug housing
Design of locking system	Side-locking clamp on lower side	Design	high
Installation size	8	Cable entry	w. thread
Type	Plug	Clamp version	Side-locking clamp
Sealing	FPM	Internal thread	M 40
Colour (RAL)	RAL 9011	BG	8
Suitable for ModuPlug®	Yes		

**HDC 64D TOBU 1M40G EMC**

**Weidmüller Interface GmbH & Co. KG**  
Klingenbergstraße 26  
D-32758 Detmold  
Germany

[www.weidmueller.com](http://www.weidmueller.com)

**Technical data**

**Classifications**

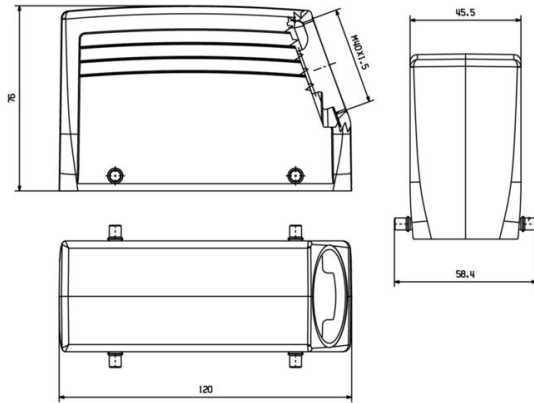
ETIM 8.0	EC000437	ETIM 9.0	EC000437
ETIM 10.0	EC000437	ECLASS 14.0	27-44-02-02
ECLASS 15.0	27-44-02-02		

**HDC 64D TOBU 1M40G EMC**

**Weidmüller Interface GmbH & Co. KG**  
Klingenbergstraße 26  
D-32758 Detmold  
Germany

**Drawings**

[www.weidmueller.com](http://www.weidmueller.com)



## HDC 64D TOBU 1M40G EMC

**Weidmüller Interface GmbH & Co. KG**  
 Klingenbergstraße 26  
 D-32758 Detmold  
 Germany

www.weidmueller.com

## Accessories

### EMC Brass Cable Gland 1st Generation



The increasing sensitivity of electronic components and the increasing electromagnetic interference frequencies require cable glands to play an important role in the shielding concept of a system. This type of EMC cable glands are made for shielding against interference frequencies, with a 360° screening connection. A Finger-locking seal provides superior cable retention & strain relief, next to it, the cable gland meets the mechanical requirements of EN 62444. Due to the patented design a very easy and fast assembly will be possible.

#### General ordering data

Type	VG M40 - MS 1/EMV	Version	
Order No.	<a href="#">1909540000</a>	VG EMV GEN 1 (EMC cable gland with clamping cage), Cable glands,	
GTIN (EAN)	4032248536467	straight, M 40, 9, OD min. 19 - OD max. 28 mm, IP68 - 5 bar (30	
Qty.	5 ST	min.), IP69K, Brass, nickel-plated	

### EMC Brass Cable Gland 4th Generation



The increasing sensitivity of electronic components and the increasing electromagnetic interference frequencies require cable glands to play an important role in the shielding concept of a system. This type of EMC cable glands are made for shielding against interference frequencies, with a 360° screening connection. A Finger-locking seal provides superior cable retention & strain relief, next to it, the cable gland meets the mechanical requirements of EN 62444. Due to the patented design a very easy and fast assembly will be possible.

#### General ordering data

Type	VG M40 EMV-4 MS 22-32	Version	
Order No.	<a href="#">2435190000</a>	VG EMV GEN 4 (EMC cable gland with clamping cage), Cable glands,	
GTIN (EAN)	4050118446944	straight, M 40, 9, OD min. 22 - OD max. 32 mm, IP54, IP66, IP67,	
Qty.	5 ST	IP68 - 5 bar (30 min.), IP69K, Brass, nickel-plated	

## HDC 64D TOBU 1M40G EMC

**Weidmüller Interface GmbH & Co. KG**  
Klingenbergstraße 26  
D-32758 Detmold  
Germany

[www.weidmueller.com](http://www.weidmueller.com)

## Counterpart

### Size 8 (24B/64D)



The new Weidmüller RockStar® IP65 EMV enclosures are ideally suited for use in the harshest environmental conditions and provide protection against electromagnetic interference. A heavy-duty connector consists of a connector insert and its protective housing. The new plastic straps are easy to lock and can be replaced at any time. All Weidmüller RockStar® enclosures are made of high quality die-cast aluminium. This makes them impact- and corrosion-resistant, yet compact and lightweight.

### General ordering data

Type	HDC 24B ABU EMC	Version	
Order No.	<a href="#">2527810000</a>		
GTIN (EAN)	4050118618297		
Qty.	1 ST		