

HDC 40D TSBU 1M40G EMC

Weidmüller Interface GmbH & Co. KG
 Klingenbergstraße 26
 D-32758 Detmold
 Germany

www.weidmueller.com



The new Weidmüller RockStar® IP65 EMV enclosures are ideally suited for use in the harshest environmental conditions and provide protection against electromagnetic interference. A heavy-duty connector consists of a connector insert and its protective housing. The new plastic straps are easy to lock and can be replaced at any time. All Weidmüller RockStar® enclosures are made of high quality die-cast aluminium. This makes them impact- and corrosion-resistant, yet compact and lightweight.

General ordering data

Version	HDC enclosures, Installation size: 6, Protection degree: IP65, in plugged condition, Cable entry from side, Plug housing, Side-locking clamp on lower side, high, Size of cable entries: M 40
Order No.	2544030000
Type	HDC 40D TSBU 1M40G EMC
GTIN (EAN)	4050118648782
Qty.	1 items

HDC 40D TSBU 1M40G EMC

Weidmüller Interface GmbH & Co. KG
 Klingenbergstraße 26
 D-32758 Detmold
 Germany

www.weidmueller.com

Technical data

Approvals

Approvals



ROHS	Conform
UL File Number Search	UL Website
Certificate No. (cURus)	E92202

Dimensions and weights

Depth	93.3 mm	Depth (inches)	3.6732 inch
Height	76 mm	Height (inches)	2.9921 inch
Width	58.4 mm	Width (inches)	2.2992 inch
Net weight	230.56 g		

Temperatures

Limit temperature	-40 °C ... 125 °C
-------------------	-------------------

Environmental Product Compliance

RoHS Compliance Status	Compliant without exemption	
REACH SVHC	No SVHC above 0.1 wt%	
Chemical resistance	Substance	Hydraulic oil
	Chemical resistance	Resistant
	Substance	Petrol
	Chemical resistance	Resistant
	Substance	UV
	Chemical resistance	Resistant
	Substance	Ozone
Chemical resistance	Resistant	

Dimensions

Cable entry	w. thread
-------------	-----------

General data

UL 94 flammability rating	V-0	Surface finish	Powder coating
Protection degree	IP65, in plugged condition		

Version

Size of cable entries	M 40	Top part/bottom part/lid	upper part
Cover	without cover	Number of cable entry sideways	1
Design of housing	Cable entry from side, Plug housing	Design of locking system	Side-locking clamp on lower side
Design	high	Installation size	6
Cable entry	w. thread	Type	Plug
Clamp version	Side-locking clamp	Sealing	FPM
Internal thread	M 40	Colour (RAL)	RAL 9011
BG	6	Suitable for ModuPlug®	Yes

HDC 40D TSBU 1M40G EMC

Weidmüller Interface GmbH & Co. KG
Klingenbergstraße 26
D-32758 Detmold
Germany

www.weidmueller.com

Technical data

Classifications

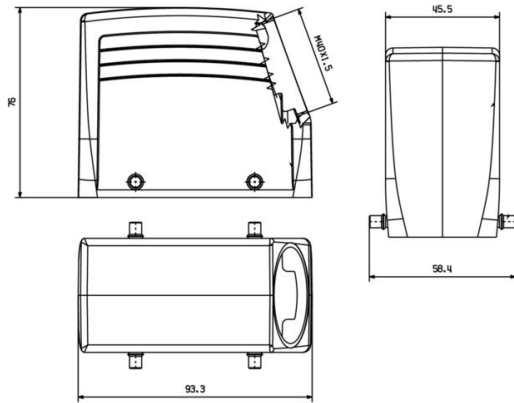
ETIM 8.0	EC000437	ETIM 9.0	EC000437
ETIM 10.0	EC000437	ECLASS 14.0	27-44-02-02
ECLASS 15.0	27-44-02-02		

HDC 40D TSBU 1M40G EMC

Weidmüller Interface GmbH & Co. KG
Klingenbergstraße 26
D-32758 Detmold
Germany

Drawings

www.weidmueller.com



HDC 40D TSBU 1M40G EMC

Weidmüller Interface GmbH & Co. KG
 Klingenbergstraße 26
 D-32758 Detmold
 Germany

www.weidmueller.com

Accessories

EMC Brass Cable Gland 1st Generation



The increasing sensitivity of electronic components and the increasing electromagnetic interference frequencies require cable glands to play an important role in the shielding concept of a system. This type of EMC cable glands are made for shielding against interference frequencies, with a 360° screening connection. A Finger-locking seal provides superior cable retention & strain relief, next to it, the cable gland meets the mechanical requirements of EN 62444. Due to the patented design a very easy and fast assembly will be possible.

General ordering data

Type	VG M40 - MS 1/EMV	Version	
Order No.	1909540000	VG EMV GEN 1 (EMC cable gland with clamping cage), Cable glands,	
GTIN (EAN)	4032248536467	straight, M 40, 9, OD min. 19 - OD max. 28 mm, IP68 - 5 bar (30	
Qty.	5 ST	min.), IP69K, Brass, nickel-plated	

EMC Brass Cable Gland 4th Generation



The increasing sensitivity of electronic components and the increasing electromagnetic interference frequencies require cable glands to play an important role in the shielding concept of a system. This type of EMC cable glands are made for shielding against interference frequencies, with a 360° screening connection. A Finger-locking seal provides superior cable retention & strain relief, next to it, the cable gland meets the mechanical requirements of EN 62444. Due to the patented design a very easy and fast assembly will be possible.

General ordering data

Type	VG M40 EMV-4 MS 22-32	Version	
Order No.	2435190000	VG EMV GEN 4 (EMC cable gland with clamping cage), Cable glands,	
GTIN (EAN)	4050118446944	straight, M 40, 9, OD min. 22 - OD max. 32 mm, IP54, IP66, IP67,	
Qty.	5 ST	IP68 - 5 bar (30 min.), IP69K, Brass, nickel-plated	

HDC 40D TSBU 1M40G EMC

Weidmüller Interface GmbH & Co. KG
 Klingenbergstraße 26
 D-32758 Detmold
 Germany

Counterpart

www.weidmueller.com

Size 6 (16B/40D)



The new Weidmüller RockStar® IP65 EMV enclosures are ideally suited for use in the harshest environmental conditions and provide protection against electromagnetic interference. A heavy-duty connector consists of a connector insert and its protective housing. The new plastic straps are easy to lock and can be replaced at any time. All Weidmüller RockStar® enclosures are made of high quality die-cast aluminium. This makes them impact- and corrosion-resistant, yet compact and lightweight.

General ordering data

Type	HDC 16B ABU EMC	Version	
Order No.	2542320000		
GTIN (EAN)	4050118648799		
Qty.	1 ST		
			HDC enclosures, Installation size: 6, Protection degree: IP65, in plugged condition, Bulkhead housing, Side-locking clamp on lower side, Side-locking clamp replaceable, , Size of cable entries: none