

HDC 24D TSBU 1M32G EMC

Weidmüller Interface GmbH & Co. KG

Klingenbergstraße 26

D-32758 Detmold

Germany

www.weidmueller.com



The new Weidmüller RockStar® IP65 EMV enclosures are ideally suited for use in the harshest environmental conditions and provide protection against electromagnetic interference. A heavy-duty connector consists of a connector insert and its protective housing. The new plastic straps are easy to lock and can be replaced at any time. All Weidmüller RockStar® enclosures are made of high quality die-cast aluminium. This makes them impact- and corrosion-resistant, yet compact and lightweight.

General ordering data

Version	HDC enclosures, Installation size: 4, Protection degree: IP65, in plugged condition, Cable entry from side, Plug housing, Side-locking clamp on lower side, high, Size of cable entries: M 32
Order No.	2544010000
Type	HDC 24D TSBU 1M32G EMC
GTIN (EAN)	4050118648751
Qty.	1 items

HDC 24D TSBU 1M32G EMC

Weidmüller Interface GmbH & Co. KG
 Klingenbergstraße 26
 D-32758 Detmold
 Germany

www.weidmueller.com

Technical data

Approvals

Approvals



ROHS	Conform
UL File Number Search	UL Website
Certificate No. (cURus)	E92202

Dimensions and weights

Depth	73 mm	Depth (inches)	2.874 inch
Height	72 mm	Height (inches)	2.8346 inch
Width	57.4 mm	Width (inches)	2.2598 inch
Net weight	185.3 g		

Temperatures

Limit temperature	-40 °C ... 125 °C
-------------------	-------------------

Environmental Product Compliance

RoHS Compliance Status	Compliant without exemption	
REACH SVHC	No SVHC above 0.1 wt%	
Chemical resistance	Substance	Hydraulic oil
	Chemical resistance	Resistant
	Substance	Petrol
	Chemical resistance	Resistant
	Substance	UV
	Chemical resistance	Resistant
	Substance	Ozone
Chemical resistance	Resistant	

Dimensions

Cable entry	w. thread
-------------	-----------

General data

UL 94 flammability rating	V-0	Surface finish	Powder coating
Protection degree	IP65, in plugged condition		

Version

Size of cable entries	M 32	Top part/bottom part/lid	upper part
Cover	without cover	Number of cable entry on top	0
Number of cable entry sideways	1	Design of housing	Cable entry from side, Plug housing
Design of locking system	Side-locking clamp on lower side	Design	high
Installation size	4	Cable entry	w. thread
Type	Plug	Clamp version	Side-locking clamp
Sealing	FPM	Internal thread	M 32
Colour (RAL)	RAL 9011	BG	4
Suitable for ModuPlug®	Yes		

HDC 24D TSBU 1M32G EMC

Weidmüller Interface GmbH & Co. KG
Klingenbergstraße 26
D-32758 Detmold
Germany

www.weidmueller.com

Technical data

Classifications

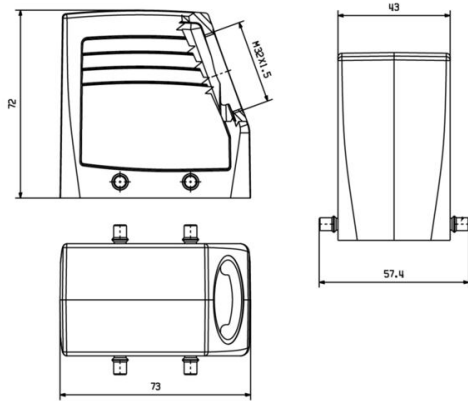
ETIM 8.0	EC000437	ETIM 9.0	EC000437
ETIM 10.0	EC000437	ECLASS 14.0	27-44-02-02
ECLASS 15.0	27-44-02-02		

HDC 24D TSBU 1M32G EMC

Weidmüller Interface GmbH & Co. KG
Klingenbergstraße 26
D-32758 Detmold
Germany

Drawings

www.weidmueller.com



HDC 24D TSBU 1M32G EMC

Weidmüller Interface GmbH & Co. KG
 Klingenbergstraße 26
 D-32758 Detmold
 Germany

www.weidmueller.com

Accessories

EMC Brass Cable Gland 1st Generation



The increasing sensitivity of electronic components and the increasing electromagnetic interference frequencies require cable glands to play an important role in the shielding concept of a system. This type of EMC cable glands are made for shielding against interference frequencies, with a 360° screening connection. A Finger-locking seal provides superior cable retention & strain relief, next to it, the cable gland meets the mechanical requirements of EN 62444. Due to the patented design a very easy and fast assembly will be possible.

General ordering data

Type	VG M32 - MS 1/EMV	Version	
Order No.	1909530000	VG EMV GEN 1 (EMC cable gland with clamping cage), Cable glands,	
GTIN (EAN)	4032248536450	straight, M 32, 8, OD min. 15 - OD max. 21 mm, IP68 - 5 bar (30	
Qty.	10 ST	min.), IP69K, Brass, nickel-plated	

EMC Brass Cable Gland 4th Generation



The increasing sensitivity of electronic components and the increasing electromagnetic interference frequencies require cable glands to play an important role in the shielding concept of a system. This type of EMC cable glands are made for shielding against interference frequencies, with a 360° screening connection. A Finger-locking seal provides superior cable retention & strain relief, next to it, the cable gland meets the mechanical requirements of EN 62444. Due to the patented design a very easy and fast assembly will be possible.

General ordering data

Type	VG M32 EMV-4 MS 16-25	Version	
Order No.	2435180000	VG EMV GEN 4 (EMC cable gland with clamping cage), Cable glands,	
GTIN (EAN)	4050118446937	straight, M 32, 9, OD min. 16 - OD max. 25 mm, IP54, IP66, IP67,	
Qty.	10 ST	IP68 - 5 bar (30 min.), IP69K, Brass, nickel-plated	

HDC 24D TSBU 1M32G EMC

Weidmüller Interface GmbH & Co. KG
 Klingenbergstraße 26
 D-32758 Detmold
 Germany

Counterpart

www.weidmueller.com

Size 4 (10B/24D)



The new Weidmüller RockStar® IP65 EMV enclosures are ideally suited for use in the harshest environmental conditions and provide protection against electromagnetic interference. A heavy-duty connector consists of a connector insert and its protective housing. The new plastic straps are easy to lock and can be replaced at any time. All Weidmüller RockStar® enclosures are made of high quality die-cast aluminium. This makes them impact- and corrosion-resistant, yet compact and lightweight.

General ordering data

Type	HDC 10B ABU EMC	Version	
Order No.	2542310000		
GTIN (EAN)	4050118648768		
Qty.	1 ST		