

## HDC 24D TOLU 1M32G EMC

**Weidmüller Interface GmbH & Co. KG**  
 Klingenbergstraße 26  
 D-32758 Detmold  
 Germany

[www.weidmueller.com](http://www.weidmueller.com)



The new Weidmüller RockStar® IP65 EMV enclosures are ideally suited for use in the harshest environmental conditions and provide protection against electromagnetic interference. A heavy-duty connector consists of a connector insert and its protective housing. The new plastic straps are easy to lock and can be replaced at any time. All Weidmüller RockStar® enclosures are made of high quality die-cast aluminium. This makes them impact- and corrosion-resistant, yet compact and lightweight.

### General ordering data

Version	HDC enclosures, Installation size: 4, Protection degree: IP65, in plugged condition, Cable entry from top, Plug housing, End-locking clamp, lower side, high, Size of cable entries: M 32
Order No.	<a href="#">2544000000</a>
Type	HDC 24D TOLU 1M32G EMC
GTIN (EAN)	4050118648737
Qty.	1 items

**HDC 24D TOLU 1M32G EMC**

**Weidmüller Interface GmbH & Co. KG**  
 Klingenbergstraße 26  
 D-32758 Detmold  
 Germany

www.weidmueller.com

**Technical data**

**Approvals**

Approvals



ROHS	Conform
UL File Number Search	<a href="#">UL Website</a>
Certificate No. (cURus)	E92202

**Dimensions and weights**

Depth	73 mm	Depth (inches)	2.874 inch
Height	72 mm	Height (inches)	2.8346 inch
Width	43 mm	Width (inches)	1.6929 inch
Net weight	183.2 g		

**Temperatures**

Limit temperature	-40 °C ... 125 °C
-------------------	-------------------

**Environmental Product Compliance**

RoHS Compliance Status	Compliant without exemption	
REACH SVHC	No SVHC above 0.1 wt%	
Chemical resistance	Substance	Hydraulic oil
	Chemical resistance	Resistant
	Substance	Petrol
	Chemical resistance	Resistant
	Substance	UV
	Chemical resistance	Resistant
	Substance	Ozone
Chemical resistance	Resistant	

**Dimensions**

Cable entry	w. thread
-------------	-----------

**General data**

UL 94 flammability rating	V-0	Surface finish	Powder coating
Protection degree	IP65, in plugged condition		

**Version**

Size of cable entries	M 32	Top part/bottom part/lid	upper part
Cover	without cover	Number of cable entry on top	1
Number of cable entry sideways	0	Design of housing	Cable entry from top, Plug housing
Design of locking system	End-locking clamp, lower side	Design	high
Installation size	4	Cable entry	w. thread
Type	Plug	Clamp version	End-locking clamp
Sealing	FPM	Internal thread	M 32
Colour (RAL)	RAL 9011	BG	4
Suitable for ModuPlug®	Yes		

**HDC 24D TOLU 1M32G EMC**

**Weidmüller Interface GmbH & Co. KG**  
Klingenbergstraße 26  
D-32758 Detmold  
Germany

[www.weidmueller.com](http://www.weidmueller.com)

**Technical data**

**Classifications**

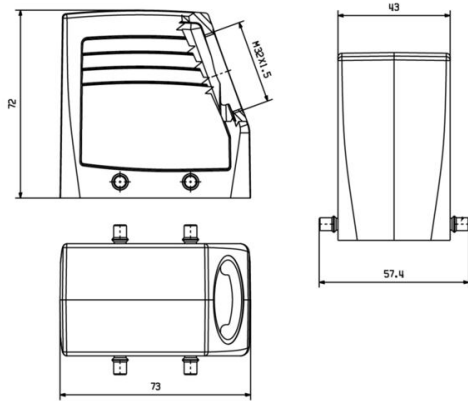
ETIM 8.0	EC000437	ETIM 9.0	EC000437
ETIM 10.0	EC000437	ECLASS 14.0	27-44-02-02
ECLASS 15.0	27-44-02-02		

**HDC 24D TOLU 1M32G EMC**

**Weidmüller Interface GmbH & Co. KG**  
Klingenbergstraße 26  
D-32758 Detmold  
Germany

**Drawings**

[www.weidmueller.com](http://www.weidmueller.com)



## HDC 24D TOLU 1M32G EMC

**Weidmüller Interface GmbH & Co. KG**  
 Klingenbergstraße 26  
 D-32758 Detmold  
 Germany

www.weidmueller.com

## Accessories

### EMC Brass Cable Gland 1st Generation



The increasing sensitivity of electronic components and the increasing electromagnetic interference frequencies require cable glands to play an important role in the shielding concept of a system. This type of EMC cable glands are made for shielding against interference frequencies, with a 360° screening connection. A Finger-locking seal provides superior cable retention & strain relief, next to it, the cable gland meets the mechanical requirements of EN 62444. Due to the patented design a very easy and fast assembly will be possible.

#### General ordering data

Type	VG M32 - MS 1/EMV	Version	
Order No.	<a href="#">1909530000</a>	VG EMV GEN 1 (EMC cable gland with clamping cage), Cable glands,	
GTIN (EAN)	4032248536450	straight, M 32, 8, OD min. 15 - OD max. 21 mm, IP68 - 5 bar (30	
Qty.	10 ST	min.), IP69K, Brass, nickel-plated	

### EMC Brass Cable Gland 4th Generation



The increasing sensitivity of electronic components and the increasing electromagnetic interference frequencies require cable glands to play an important role in the shielding concept of a system. This type of EMC cable glands are made for shielding against interference frequencies, with a 360° screening connection. A Finger-locking seal provides superior cable retention & strain relief, next to it, the cable gland meets the mechanical requirements of EN 62444. Due to the patented design a very easy and fast assembly will be possible.

#### General ordering data

Type	VG M32 EMV-4 MS 16-25	Version	
Order No.	<a href="#">2435180000</a>	VG EMV GEN 4 (EMC cable gland with clamping cage), Cable glands,	
GTIN (EAN)	4050118446937	straight, M 32, 9, OD min. 16 - OD max. 25 mm, IP54, IP66, IP67,	
Qty.	10 ST	IP68 - 5 bar (30 min.), IP69K, Brass, nickel-plated	

## HDC 24D TOLU 1M32G EMC

**Weidmüller Interface GmbH & Co. KG**  
 Klingenbergstraße 26  
 D-32758 Detmold  
 Germany

www.weidmueller.com

## Counterpart

### Cover



The special die-cast alloy and the multi-layered surface sealing provide complete protection for the HDC housings.

The cleverly designed interlock system is manufactured from stainless steel. This guarantees a long lifespan with high resistance to corrosion and impact.

The housing interlock system provides integrated safety. Our unique, patented spring system provides the housing interlock with a secure grip and prevents accidental opening.

The laser marking allows for easy and quick identification. Each housing is permanently labelled with a laser marking so that each product can be quickly designated and positioned.

Weidmüller RockStar® IP 65 / NEMA Type 4X housings - your first choice for industrial housings with IP 65 protection.

### General ordering data

Type	HDC 10B DMDQ 4B0	Version	
Order No.	<a href="#">1665250000</a>		
GTIN (EAN)	4008190421953		
Qty.	1 ST		