

ENERGY METER D370-CBM

Weidmüller Interface GmbH & Co. KG
 Klingenbergstraße 26
 D-32758 Detmold
 Germany

www.weidmueller.com



Advanced functionality of energy data capture
 The scope of performance of the ValueLine energy meters goes beyond the core functions of energy measurement.
 They are also suitable for determining, storing and visualising further energy quality parameters.
 The free "ecoExplorer go" software is available for most types of the product group,
 on the one hand for device configuration / commissioning / visualisation of the measured values and on the other hand for analysing the power quality.

General ordering data

Version	Power measurement/display for 1-, 3-phase mains
Order No.	2540830000
Type	ENERGY METER D370-CBM
GTIN (EAN)	4050118553253
Qty.	1 items

ENERGY METER D370-CBM

Weidmüller Interface GmbH & Co. KG
 Klingenbergstraße 26
 D-32758 Detmold
 Germany

www.weidmueller.com

Technical data

Approvals

Approvals	CE; CULUS
Approvals	CE
Approvals	



ROHS	Conform
UL File Number Search	UL Website
Certificate no. (cULus)	E469563

Dimensions and weights

Depth	46 mm	Depth (inches)	1.811 inch
Height	98 mm	Height (inches)	3.8583 inch
Width	71.6 mm	Width (inches)	2.8189 inch
Net weight	150 g		

Temperatures

Storage temperature	-20 °C...70 °C	Operating temperature	-25 °C...60 °C
Humidity at operating temperature	5...95 % RH		

Environmental Product Compliance

RoHS Compliance Status	Compliant without exemption
REACH SVHC	No SVHC above 0.1 wt%

Measuring current input

Housing main material	Plastic	Rated current	1 / 5 A
Current-measuring channels	3	Measuring accuracy for current	0.2 %
Residual current measuring	No	Harmonics, per order / current	1.-25., odd
Distortion factor THD-I in %	Yes	Max. current	5000 A

Measuring voltage input

Low voltage network	3 phase 4 wire (L1 + L2 + L3 + N)	Measuring accuracy for voltage	0.2 %
Three-wire system	No	Quadrants	4
Harmonics, per order / voltage	1.-25., odd	Distortion factor THD-U in %	Yes
Measurement range, voltage L-L, AC	480 V	Measurement range, voltage L-N, AC	277 V
Four-wire system	Yes		

Communication

Interface	RS485: 9,6 – 115,2 kbps	Protocol	Modbus RTU
-----------	-------------------------	----------	------------

Inputs/outputs

Number of digital inputs	0	Number of digital outputs	0
Temperature input	No		

ENERGY METER D370-CBM

Weidmüller Interface GmbH & Co. KG
 Klingenbergstraße 26
 D-32758 Detmold
 Germany

www.weidmueller.com

Technical data

Measurement data recording

Memory; minimum and maximum values	Yes	Memory size	4 MB
Number of memory values	160 k	Update interval register	200 ms
Min. memory recording interval	60.00 s	Software	ecoExplorer go®
Integrated logic	No		

Technical data

Version	Power measurement/ display for 1-, 3-phase mains	Type of mounting	DIN rail
Protection degree	IP20	Rated current	1 / 5 A
Max. current	5000 A	Standards	DIN EN 61000-4-2, DIN EN 61000-4-3, DIN EN 61000-4-4, DIN EN 61000-4-5, DIN EN 61000-4-6, EN 55011, IEC 61010-2-030, IEC 61010-1, IEC 61326-1, DIN EN 61326-1
Measurement range, voltage L-N, AC	277 V	Measurement range, voltage L-L, AC	480 V
Surge voltage category	300 V CAT III	Three-wire system	No
Four-wire system	Yes	Quadrants	4
Sampling frequency 50/60 Hz	5.4 kHz	Continuous measurements	Yes
Measurement result per second	5 ms	Effective value from the period (50/60 Hz)	10 / 12
Residual current measuring	No	Current-measuring channels	3
Measuring accuracy for voltage	0.2 %	Measuring accuracy for current	0.2 %
Measurement accuracy for active energy (kWh, .../5 A)	Class 0.5S	Operating-hours counter	Yes
Weekly time switch	No	Clock	Yes
Bimetal function	Yes		

Voltage quality measurement

Harmonics, per order / voltage	1..25., odd	Harmonics, per order / current	1..25., odd
Distortion factor THD-U in %	Yes	Distortion factor THD-I in %	Yes
Unbalanced	No	Positive, negative and zero system	Yes
Brief interruptions	No	Sequence-of-events recorder function	Yes

Insulation coordination

Surge voltage category	300 V CAT III
------------------------	---------------

Classifications

ETIM 8.0	EC002301	ETIM 9.0	EC002301
ETIM 10.0	EC002301	ECLASS 14.0	27-14-23-30
ECLASS 15.0	27-14-23-30		

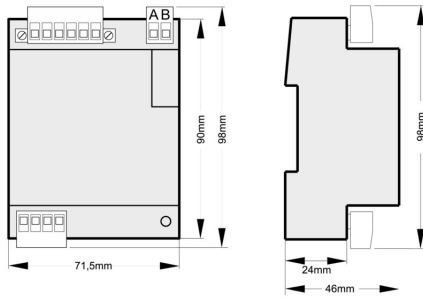
ENERGY METER D370-CBM

Weidmüller Interface GmbH & Co. KG
 Klingenbergstraße 26
 D-32758 Detmold
 Germany

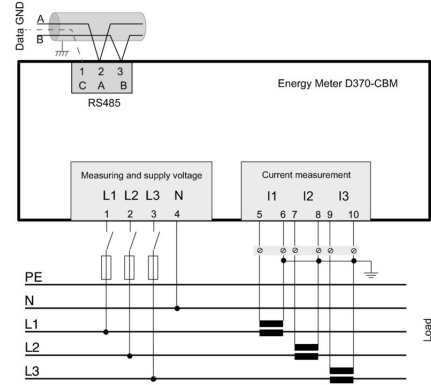
www.weidmueller.com

Drawings

Dimensioned drawing



Connection diagram



ENERGY METER D370-CBM

Weidmüller Interface GmbH & Co. KG
Klingenbergstraße 26
D-32758 Detmold
Germany

www.weidmueller.com

Accessories**Plug-on current transformer - ValueLine****Plug-on current transformers**

Plug-on current transformers are used wherever high currents of up to 5000A need to be measured and processed. Our plug-on current transformers supply secondary currents of 1A or 5A. Weidmüller also offers compact low-power current transformers to convert currents of up to 600 A to voltages of up to 333 mV.

General ordering data

Type	CMA-22-600-5A-5VA-0,5	Version	
Order No.	1482180000	Primary current: 600 A, Secondary current max.: 5 A, Load: 5 VA,	
GTIN (EAN)	4050118291230	Tolerance class: 0,5	
Qty.	1 ST		