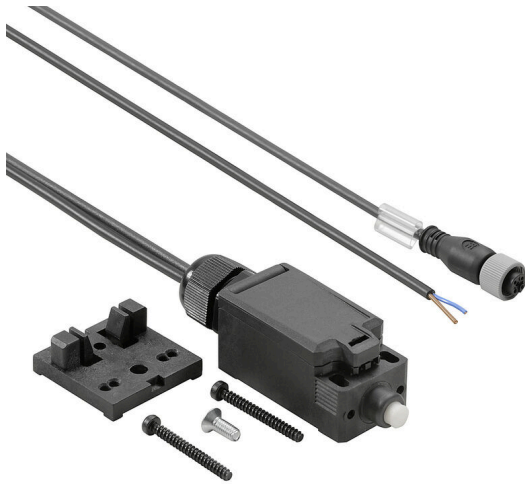


WIL-TS-M12

Weidmüller Interface GmbH & Co. KG
Klingenbergstraße 26
D-32758 Detmold
Germany

www.weidmueller.com



The WIL door switch is pre-assembled with an M12 cable and an access line. This allows for a simple Plug and Produce feature with our WIL LED lamp series.

General ordering data

Order No.	2537730000
Type	WIL-TS-M12
GTIN (EAN)	4050118549188
Qty.	1 items

WIL-TS-M12

Weidmüller Interface GmbH & Co. KG
 Klingenbergstraße 26
 D-32758 Detmold
 Germany

www.weidmueller.com

Technical data

Approvals

Approvals



ROHS Conform

UL File Number Search [UL Website](#)

Certificate no. (cULus) E197061

Dimensions and weights

Depth	40	Depth (inches)	1.5748 inch
Height	36.3 mm	Height (inches)	1.4291 inch
Width	102.5 mm	Width (inches)	4.0354 inch
Net weight	120 g		

Temperatures

Operating temperature -20 - 60

Environmental Product Compliance

RoHS Compliance Status Compliant with exemption

RoHS Exemption (if applicable/known) 6c

REACH SVHC Lead 7439-92-1

SCIP c20d50fa-e90d-470c-bef0-6f016c2e152d

Cable technical specifications

Cable Material	PUR	Sheathing colour	black
Cable length	0.5 m	Core cross-section	0.34 mm ²

Connection data

Coding	A-coded	Connection thread	M12
Tightening torque	0.8 Nm	Wiring	PIN 4: + (black), PIN 3: - (blue)

Electric data

Rated voltage	24 V DC	Rated current	1.5 A
---------------	---------	---------------	-------

General technical data

Type of mounting	Screw mounting	Drill hole spacing	21.5 mm
Protection degree	IP67		

Classifications

ETIM 8.0	EC002591	ETIM 9.0	EC002591
ETIM 10.0	EC002591	ECLASS 14.0	27-27-06-09
ECLASS 15.0	27-27-06-09		

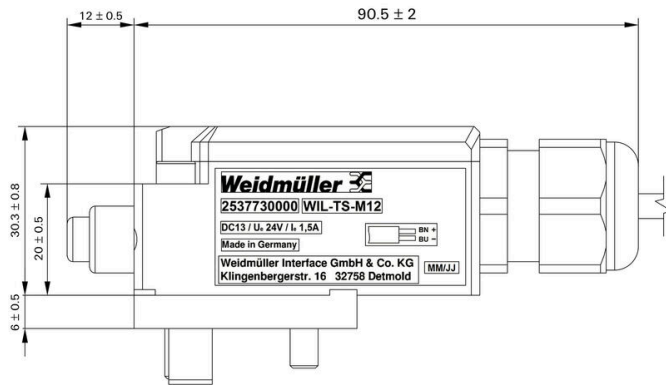
WIL-TS-M12

Weidmüller Interface GmbH & Co. KG
 Klingenbergstraße 26
 D-32758 Detmold
 Germany

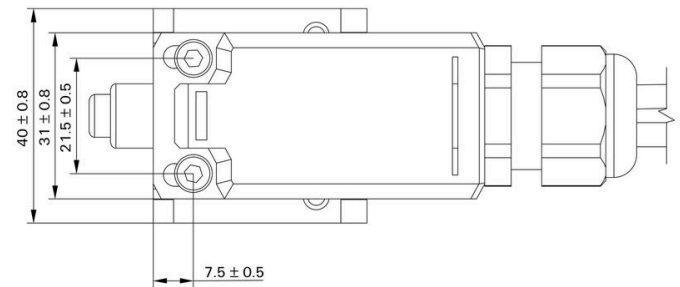
www.weidmueller.com

Drawings

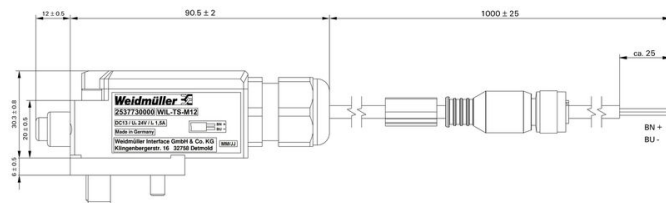
Dimensioned drawing



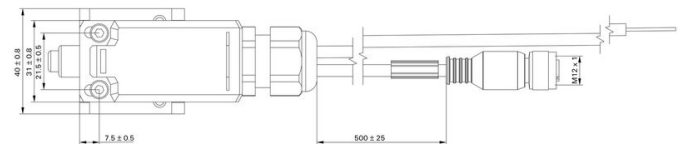
Dimensioned drawing



Dimensioned drawing

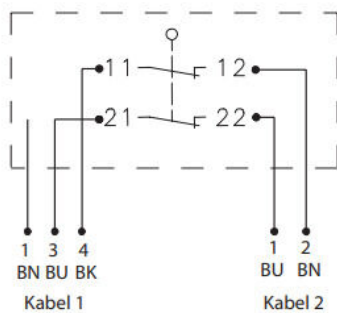


Dimensioned drawing



Wiring

Verdrahtung



WIL-TS-M12

Weidmüller Interface GmbH & Co. KG

Klingenbergstraße 26

D-32758 Detmold

Germany

www.weidmueller.com

Accessories

PUR halogen-free black (U)



Sensor/actuator cables are used for wiring sensors and actuators and for transmitting data or power in various applications. The moulded cable offers connected and tested connection of the plug-in connector to the cable ex-works. The cables may be exposed to a wide range of conditions, such as humidity, dust, heat, cold, shock or vibration.

Our developers have focused specifically on this issue and designed a host of different M8 and M12 sensor-actuator cables so you are bound to find the solution you need for your application.

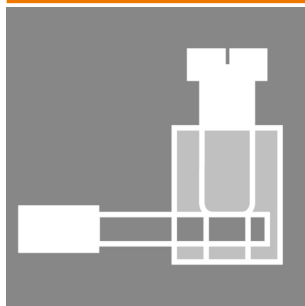
The M8 and M12 sensor-actuator cables are supplied as standard with brass nickel-plated nuts. However if you are looking to use our products in an extremely harsh environment, we can also supply a variant with a plastic nut. This enables use in environments where cables with nickel-plated M8 and M12 nuts would rust.

Is there something you have not managed to find or you feel needs explanation? Talk to us!

General ordering data

Type	SAIP-M12BG-3-3.0U	Version
Order No.	1108730300	Sensor/actuator line, One end without connector, M12, Number of
GTIN (EAN)	4032248888481	poles : 3, 3 m, Female socket, straight, Shielded: No, LED: No, Sheath
Qty.	1 ST	material: PUR, Halogen: No
Type	SAIL-M12BG-3-3.0U	Version
Order No.	9457820300	Sensor/actuator line, One end without connector, M12, Number of
GTIN (EAN)	4032248228195	poles : 3, 3 m, Female socket, straight, Shielded: No, LED: No, Sheath
Qty.	1 ST	material: PUR, Halogen: No

Screw terminal connector



Individual cable lengths are often required nowadays. In order to meet these demands, Weidmüller offers a wide range of plug-in connectors for custom assembly. Male plugs and female socket for customisable assembly for M8, M12, M16 and 7/8" connections which are highly robust and ideally suited to machine engineering, for instance. The M12 plug-in connectors offer a choice of 5 different connection systems.

The screw connection can be used in a wide range of applications. With this technology the conductor, optionally with wire-end ferrules, can be plugged into connection elements and secured with a screw. It is the classic, cheapest form of connection technology that also supports multi-conductor connections.

General ordering data

Type	SAIBGS-P-4A-4/6-M12	Version
Order No.	9457240000	Field attachable connector, M12
GTIN (EAN)	4008190312275	
Qty.	1 ST	

WIL-TS-M12

Weidmüller Interface GmbH & Co. KG
Klingenbergstraße 26
D-32758 Detmold
Germany

www.weidmueller.com

Accessories

Type	SAISGS-P-4A-4/6-M12	Version	
Order No.	9457550000	Field attachable connector, M12	
GTIN (EAN)	4032248167647		
Qty.	1 ST		