

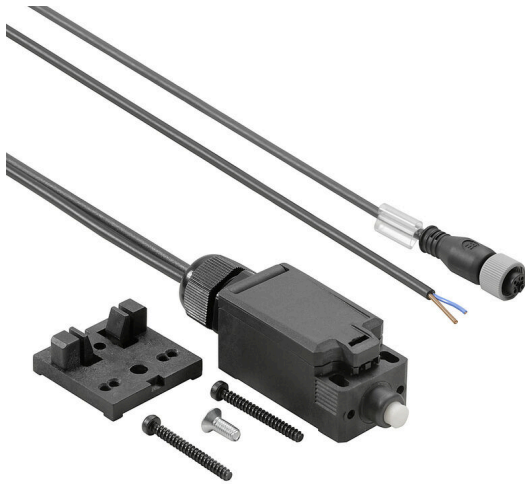
WIL-TS-M12**Weidmüller Interface GmbH & Co. KG**

Klingenbergstraße 26

D-32758 Detmold

Germany

www.weidmueller.com



The WIL door switch is pre-assembled with an M12 cable and an access line. This allows for a simple Plug and Produce feature with our WIL LED lamp series.

General ordering data

Order No.	2537730000
Type	WIL-TS-M12
GTIN (EAN)	4050118549188
Qty.	1 items

WIL-TS-M12

Weidmüller Interface GmbH & Co. KG
 Klingenbergstraße 26
 D-32758 Detmold
 Germany

www.weidmueller.com

Technical data

Approvals

Approvals



ROHS Conform

UL File Number Search [UL Website](#)

Certificate no. (cULus) E197061

Dimensions and weights

Depth	40	Depth (inches)	1.5748 inch
Height	36.3 mm	Height (inches)	1.4291 inch
Width	102.5 mm	Width (inches)	4.0354 inch
Net weight	120 g		

Temperatures

Operating temperature -20 - 60

Environmental Product Compliance

RoHS Compliance Status Compliant with exemption

RoHS Exemption (if applicable/known) 6c

REACH SVHC Lead 7439-92-1

SCIP c20d50fa-e90d-470c-bef0-6f016c2e152d

Cable technical specifications

Cable Material	PUR	Sheathing colour	black
Cable length	0.5 m	Core cross-section	0.34 mm ²

Connection data

Coding	A-coded	Connection thread	M12
Tightening torque	0.8 Nm	Wiring	PIN 4: + (black), PIN 3: - (blue)

Electric data

Rated voltage	24 V DC	Rated current	1.5 A
---------------	---------	---------------	-------

General technical data

Type of mounting	Screw mounting	Drill hole spacing	21.5 mm
Protection degree	IP67		

Classifications

ETIM 8.0	EC002591	ETIM 9.0	EC002591
ETIM 10.0	EC002591	ECLASS 14.0	27-27-06-09
ECLASS 15.0	27-27-06-09		

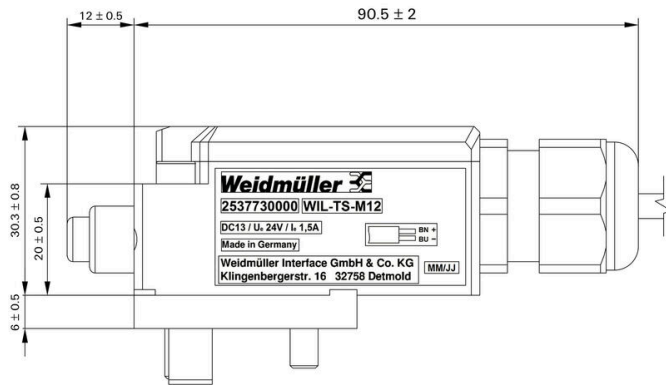
WIL-TS-M12

Weidmüller Interface GmbH & Co. KG
 Klingenbergstraße 26
 D-32758 Detmold
 Germany

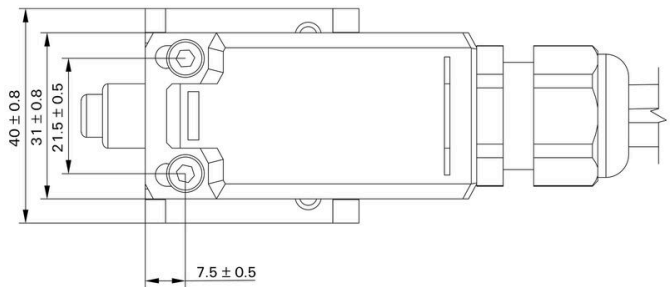
www.weidmueller.com

Drawings

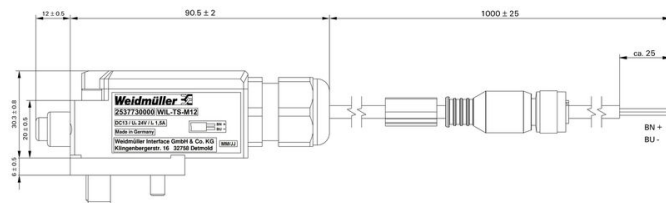
Dimensioned drawing



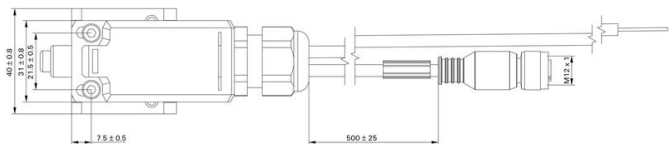
Dimensioned drawing



Dimensioned drawing



Dimensioned drawing



Wiring

Verdrahtung

