

IE-DINRAIL-AD-PWB

Weidmüller Interface GmbH & Co. KG
Klingenbergstraße 26
D-32758 Detmold
Germany

www.weidmueller.com



At Weidmüller you can get everything you need from one source - including accessories for Industrial Ethernet.

The benefits for you:

- tools
- testing instruments
- cable bushings
- cabinet connections
- markers
- dust protection
- power packs
- overvoltage protection

General ordering data

Order No.	2534680000
Type	IE-DINRAIL-AD-PWB
GTIN (EAN)	4050118546354
Qty.	1 items

IE-DINRAIL-AD-PWB

Weidmüller Interface GmbH & Co. KG
 Klingenbergstraße 26
 D-32758 Detmold
 Germany

www.weidmueller.com

Technical data

Approvals

ROHS Conform

Dimensions and weights

Height	83 mm	Height (inches)	3.2677 inch
Width	45 mm	Width (inches)	1.7716 inch
Net weight	39.6 g		

Temperatures

Operating temperature -25 °C...70 °C

Environmental Product Compliance

RoHS Compliance Status Compliant
 REACH SVHC No SVHC above 0.1 wt%

General data

Protection degree IP20

Technical data

Housing main material Polycarbonate PC,
 Acrylnitril-Butadien-Styrol
 (ABS)

Classifications

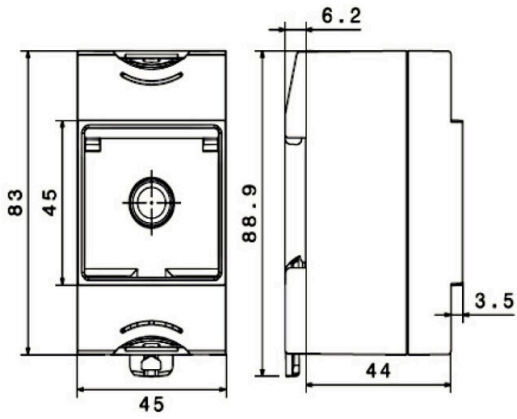
ETIM 8.0	EC000125	ETIM 9.0	EC000125
ETIM 10.0	EC000125	ECLASS 14.0	27-14-40-42
ECLASS 15.0	27-14-40-42		

IE-DINRAIL-AD-PWB

Weidmüller Interface GmbH & Co. KG
Klingenbergstraße 26
D-32758 Detmold
Germany

Drawings

www.weidmueller.com



IE-DINRAIL-AD-PWB

Weidmüller Interface GmbH & Co. KG
 Klingenbergstraße 26
 D-32758 Detmold
 Germany

Accessories

www.weidmueller.com

Power sockets



FrontCom® Vario integrates multiple functions in only one single frame. The system is easy to install and you can select from a wide range of data, signal and power modules. In addition to being extremely compact, FrontCom® Vario offers a number of unique product features that will make your project planning and work activities secure, fast and future-proof. Furthermore, the FrontCom® Vario system has an attractive housing design that, by the way, offers highest impact-resistance and fully meets the requirements of IP 65 protection class.

General ordering data

Type	IE-FCI-PWB-AU	Version
Order No.	1450830000	FrontCom, Insert Power large, Type I, Socket connector, AU, 15 A
GTIN (EAN)	4050118255591	
Qty.	1 ST	
Type	IE-FCI-PWB-AU-10A	Version
Order No.	1546590000	FrontCom, Insert Power large, Type I, Socket connector, AU, 10 A
GTIN (EAN)	4050118351842	
Qty.	1 ST	
Type	IE-FCI-PWB-CH	Version
Order No.	1450780000	FrontCom, Insert Power large, Type J, Socket connector, CH
GTIN (EAN)	4050118255553	
Qty.	1 ST	
Type	IE-FCI-PWB-CN	Version
Order No.	1450790000	FrontCom, Insert Power large, Type I, Socket connector, CN
GTIN (EAN)	4050118255386	
Qty.	1 ST	
Type	IE-FCI-PWB-FR/B/CZ	Version
Order No.	2426700000	FrontCom, Insert Power large, Type E, Socket connector, FR, CZ
GTIN (EAN)	4050118435139	
Qty.	1 ST	
Type	IE-FCI-PWB-DE	Version
Order No.	1450730000	FrontCom, Insert Power large, Type F, Socket connector, DE
GTIN (EAN)	4050118255546	
Qty.	1 ST	
Type	IE-FCI-PWB-DE-OR	Version
Order No.	1554000000	FrontCom, Insert Power large, Type F, Socket connector, DE, orange
GTIN (EAN)	4050118360806	
Qty.	1 ST	
Type	IE-FCI-PWB-FR	Version
Order No.	1450750000	FrontCom, Insert Power large, Type E, Socket connector, FR
GTIN (EAN)	4050118255706	
Qty.	1 ST	
Type	IE-FCI-PWB-FR-OR	Version
Order No.	2007230000	FrontCom, Insert Power large, Type E, Socket connector, FR, orange
GTIN (EAN)	4050118392135	
Qty.	1 ST	
Type	IE-FCI-PWB-GB	Version
Order No.	1450770000	FrontCom, Insert Power large, Type G, Socket connector, GB
GTIN (EAN)	4050118255577	
Qty.	1 ST	

IE-DINRAIL-AD-PWB

Weidmüller Interface GmbH & Co. KG
Klingenbergstraße 26
D-32758 Detmold
Germany

www.weidmueller.com

Accessories

Type	IE-FCI-PWB-IND	Version
Order No.	2500710000	FrontCom, Insert Power large, Type D, Socket connector, IN
GTIN (EAN)	4050118526745	
Qty.	1 ST	
Type	IE-FCI-PWB-ISR	Version
Order No.	2531060000	FrontCom, Insert Power large, Type H, Socket connector, ISR
GTIN (EAN)	4050118541175	
Qty.	1 ST	
Type	IE-FCI-PWS-IT	Version
Order No.	1450810000	FrontCom, Insert Power small, Type L, Socket connector, IT, EU
GTIN (EAN)	4050118255720	
Qty.	1 ST	