

**IE-FCI-PWB-ISR****Weidmüller Interface GmbH & Co. KG**

Klingenbergstraße 26

D-32758 Detmold

Germany

www.weidmueller.com



FrontCom® Vario integrates multiple functions in only one single frame. The system is easy to install and you can select from a wide range of data, signal and power modules. In addition to being extremely compact, Front-Com® Vario offers a number of unique product features that will make your project planning and work activities secure, fast and future-proof. Furthermore, the Front-Com® Vario system has an attractive housing design that, by the way, offers highest impact-resistance and fully meets the requirements of IP 65 protection class.

**General ordering data**

Version	FrontCom, Insert Power large, Type H, Socket connector, ISR
Order No.	<a href="#">2531060000</a>
Type	IE-FCI-PWB-ISR
GTIN (EAN)	4050118541175
Qty.	1 items

**Technical data**

**Approvals**

Approvals



ROHS Conform

**Dimensions and weights**

Net weight 36 g

**Temperatures**

Storage temperature Installation temperature Operating temperature -5 °C...40 °C

**Environmental Product Compliance**

RoHS Compliance Status Compliant without exemption  
 REACH SVHC No SVHC above 0.1 wt%

**General data**

Protection degree IP20 Insert type Insert Power large  
 Connector face Type H

**Clampable conductors**

Stripping length	11 mm		
Type of connection	Screw connection		
Conductor connection cross-section, extremely flexible with wire end ferrule	min.	1.5 mm <sup>2</sup>	
	max.	1.5 mm <sup>2</sup>	
Conductor connection cross-section, rigid	min.	1.5 mm <sup>2</sup>	
	max.	2.5 mm <sup>2</sup>	
Conductor connection cross-section, flexible with wire end ferrule	min.	1.5 mm <sup>2</sup>	
	max.	1.5 mm <sup>2</sup>	
Conductor connection cross-section, flexible without wire end ferrule	...		
Conductor connection cross-section, extremely flexible without wire end ferrule	...		
Conductor connection cross-section, rigid	1.5 ... 2.5 mm <sup>2</sup>		
Conductor connection cross-section, flexible with wire end ferrule	1.5 ... 1.5 mm <sup>2</sup>		
Conductor connection cross-section, extremely flexible with wire end ferrule	1.5 ... 1.5 mm <sup>2</sup>		

**Technical data**

Rated voltage (AC) 250 V Housing main material PP  
 Nominal current 16 A

**Classifications**

ETIM 8.0 EC001121 ETIM 9.0 EC001121  
 ETIM 10.0 EC001121 ECLASS 14.0 27-18-28-92

**Technical data**

---

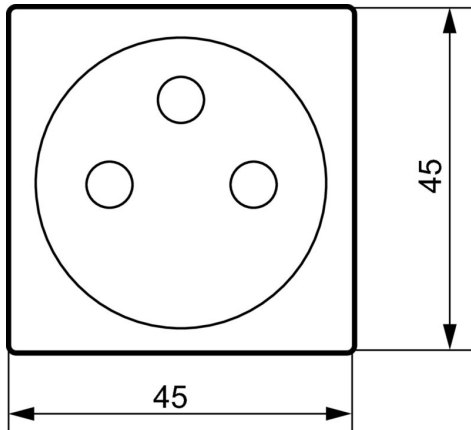
ECLASS 15.0

27-18-28-92

---

**Drawings**

**Dimensioned drawing**



**Dimensioned drawing**

