

IE-FCI-PWB-ISR**Weidmüller Interface GmbH & Co. KG**

Klingenbergstraße 26

D-32758 Detmold

Germany

www.weidmueller.com



FrontCom® Vario integrates multiple functions in only one single frame. The system is easy to install and you can select from a wide range of data, signal and power modules. In addition to being extremely compact, Front-Com® Vario offers a number of unique product features that will make your project planning and work activities secure, fast and future-proof. Furthermore, the Front-Com® Vario system has an attractive housing design that, by the way, offers highest impact-resistance and fully meets the requirements of IP 65 protection class.

General ordering data

Version	FrontCom, Insert Power large, Type H, Socket connector, ISR
Order No.	2531060000
Type	IE-FCI-PWB-ISR
GTIN (EAN)	4050118541175
Qty.	1 items

IE-FCI-PWB-ISR

Weidmüller Interface GmbH & Co. KG
 Klingenbergstraße 26
 D-32758 Detmold
 Germany

www.weidmueller.com

Technical data

Approvals

Approvals



ROHS Conform

Dimensions and weights

Net weight 36 g

Temperatures

Storage temperature Installation temperature Operating temperature -5 °C...40 °C

Environmental Product Compliance

RoHS Compliance Status Compliant without exemption
 REACH SVHC No SVHC above 0.1 wt%

General data

Protection degree IP20 Insert type Insert Power large
 Connector face Type H

Clampable conductors

Stripping length	11 mm		
Type of connection	Screw connection		
Conductor connection cross-section, extremely flexible with wire end ferrule	min.	1.5 mm ²	
	max.	1.5 mm ²	
Conductor connection cross-section, rigid	min.	1.5 mm ²	
	max.	2.5 mm ²	
Conductor connection cross-section, flexible with wire end ferrule	min.	1.5 mm ²	
	max.	1.5 mm ²	
Conductor connection cross-section, flexible without wire end ferrule	...		
Conductor connection cross-section, extremely flexible without wire end ferrule	...		
Conductor connection cross-section, rigid	1.5 ... 2.5 mm ²		
Conductor connection cross-section, flexible with wire end ferrule	1.5 ... 1.5 mm ²		
Conductor connection cross-section, extremely flexible with wire end ferrule	1.5 ... 1.5 mm ²		

Technical data

Rated voltage (AC) 250 V Housing main material PP
 Nominal current 16 A

Classifications

ETIM 8.0 EC001121 ETIM 9.0 EC001121
 ETIM 10.0 EC001121 ECLASS 14.0 27-18-28-92

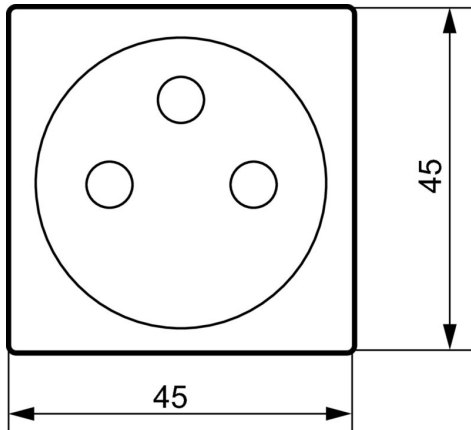
Technical data

ECLASS 15.0

27-18-28-92

Drawings

Dimensioned drawing



Dimensioned drawing

