

SAIE-M12SL-5S-H11TL-M16

Weidmüller Interface GmbH & Co. KG
Klingenbergstraße 26
D-32758 Detmold
Germany

www.weidmueller.com



General ordering data

Version	Built-in plugs, M12, Mounting thread: M 16 x 1.5, Number of poles: 5, Strand / cable length:
Order No.	2530900000
Type	SAIE-M12SL-5S-H11TL-M16
GTIN (EAN)	4050118541014
Qty.	1 items

SAIE-M12SL-5S-H11TL-M16

Weidmüller Interface GmbH & Co. KG
 Klingenbergstraße 26
 D-32758 Detmold
 Germany

www.weidmueller.com

Technical data

Approvals

ROHS	Conform
------	---------

Dimensions and weights

Net weight	30 g
------------	------

Environmental Product Compliance

RoHS Compliance Status	Compliant with exemption
RoHS Exemption (if applicable/known)	6c
REACH SVHC	Lead 7439-92-1
SCIP	ebf89fc8-a87f-4691-b87a-dfb9921774b4

Technical data of PCB plug-in connector

Number of poles	5	Coding	L-coded
Type of mounting	Backpanel mouting	Housings	M12 pin
Installation height	11 mm	Nominal voltage	63 V
Nominal current	16 A	Protection degree	IP67, when screwed in
Contact surface	Gold over nickel	Housing main material	PA
Connection thread	M12	Tightening torque	M12: 0.8 - 1.2 Nm
Mounting thread	M 16 x 1.5	Mounting onto the PCB	Dip solder
Contact material	Cu-alloy		

General Info

Number of poles	5	Housing main material	PA
Connection thread	M12	Contact material	Cu-alloy
Contact surface	Gold over nickel	Type of mounting	Backpanel mouting
Protection degree	IP67, when screwed in		

Important note

Notes

Classifications

ETIM 8.0	EC003568	ETIM 9.0	EC003568
ETIM 10.0	EC003568	ECLASS 14.0	27-44-01-10
ECLASS 15.0	27-44-01-10		

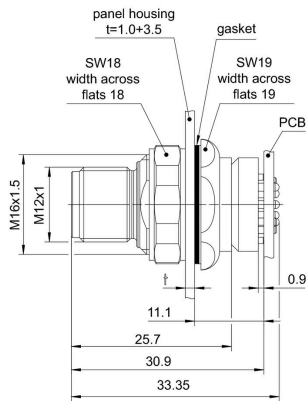
SAIE-M12SL-5S-H11TL-M16

Weidmüller Interface GmbH & Co. KG
Klingenbergstraße 26
D-32758 Detmold
Germany

www.weidmueller.com

Drawings

Dimensioned drawing



PCB design

