

SAID-M12BL-5-SMT

Weidmüller Interface GmbH & Co. KG
Klingenbergstraße 26
D-32758 Detmold
Germany

www.weidmueller.com



General ordering data

Version	Built-in plugs, M12, Mounting thread: M 16, Number of poles: 5, Strand / cable length:
Order No.	2530820000
Type	SAID-M12BL-5-SMT
GTIN (EAN)	4050118540949
Qty.	60 items

SAID-M12BL-5-SMT

Weidmüller Interface GmbH & Co. KG
 Klingenbergstraße 26
 D-32758 Detmold
 Germany

www.weidmueller.com

Technical data

Approvals

ROHS Conform

Dimensions and weights

Net weight 1.52 g

Environmental Product Compliance

RoHS Compliance Status Compliant with exemption
 RoHS Exemption (if applicable/known) 6c
 REACH SVHC Lead 7439-92-1
 SCIP d9f8df28-a704-45a9-a1cb-1fe1442b5ef0

Technical data of PCB plug-in connector

Number of poles	5	Coding	L-coded
Nominal voltage	63 V	Nominal current	16 A
Rated current	16 A	Protection degree	IP67, when fully mounted
Contact surface	Gold over nickel	Housing main material	LCP
Connection thread	M12	Tightening torque	M12: 0.8 - 1.2 Nm
Mounting thread	M 16	Pollution severity	3 (2 within the sealed area)
Plugging cycles	500	Contact material	Cu-alloy

General Info

Number of poles	5	UL 94 flammability rating	V-0
Housing main material	LCP	Connection thread	M12
Contact material	Cu-alloy	Contact surface	Gold over nickel
Protection degree	IP67, when fully mounted	Plugging cycles	500

Important note

Notes

Classifications

ETIM 8.0	EC003557	ETIM 9.0	EC003557
ETIM 10.0	EC003557	ECLASS 14.0	27-44-02-23
ECLASS 15.0	27-44-02-23		

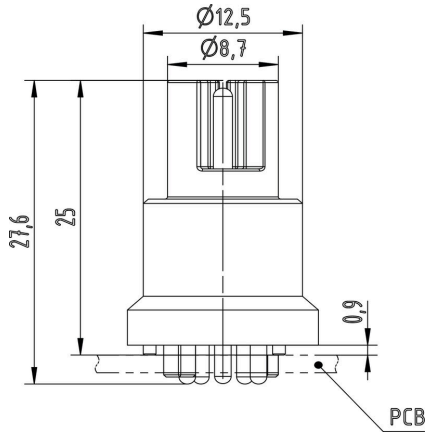
SAID-M12BL-5-SMT

Weidmüller Interface GmbH & Co. KG
Klingenbergstraße 26
D-32758 Detmold
Germany

Drawings

www.weidmueller.com

Dimensioned drawing



PCB design

