

M12 L-CODED CON MALE 180°

Weidmüller Interface GmbH & Co. KG
Klingenbergstraße 26
D-32758 Detmold
Germany

www.weidmueller.com



General ordering data

Version	Built-in plugs, M12, Mounting thread: M 16, Number of poles: 5, Strand / cable length:
Order No.	2530810000
Type	M12 L-CODED CON MALE 180°
GTIN (EAN)	4050118540932
Qty.	60 items

M12 L-CODED CON MALE 180°

Weidmüller Interface GmbH & Co. KG
 Klingenbergstraße 26
 D-32758 Detmold
 Germany

www.weidmueller.com

Technical data

Approvals

ROHS	Conform
------	---------

Dimensions and weights

Net weight	1.73 g
------------	--------

Environmental Product Compliance

RoHS Compliance Status	Compliant with exemption
RoHS Exemption (if applicable/known)	6c
REACH SVHC	Lead 7439-92-1
SCIP	ebf89fc8-a87f-4691-b87a-dfb9921774b4

Technical data of PCB plug-in connector

Number of poles	5	Coding	L-coded
Nominal voltage	63 V	Nominal current	16 A
Rated current	16 A	Protection degree	IP67, when fully mounted
Contact surface	Gold over nickel	Housing main material	PA
Connection thread	M12	Tightening torque	M12: 0.8 - 1.2 Nm
Mounting thread	M 16	Pollution severity	3 (2 within the sealed area)
Plugging cycles	500	Contact material	Cu-alloy

General Info

Number of poles	5	UL 94 flammability rating	V-0
Housing main material	PA	Connection thread	M12
Contact material	Cu-alloy	Contact surface	Gold over nickel
Protection degree	IP67, when fully mounted	Plugging cycles	500

Important note

Notes

Classifications

ETIM 8.0	EC003557	ETIM 9.0	EC003557
ETIM 10.0	EC003557	ECLASS 14.0	27-44-02-23
ECLASS 15.0	27-44-02-23		

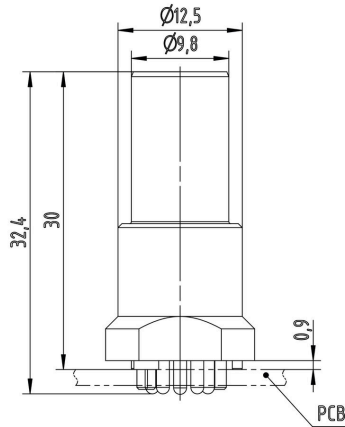
M12 L-CODED CON MALE 180°

Weidmüller Interface GmbH & Co. KG
Klingenbergstraße 26
D-32758 Detmold
Germany

Drawings

www.weidmueller.com

Dimensioned drawing



PCB design

