

BLF/SLF 5.08 ZE06 OR

Weidmüller Interface GmbH & Co. KG
Klingenbergstraße 26
D-32758 Detmold
Germany

www.weidmueller.com



For frequent load changes: the "trailer coupling" for plug-in connectors.

The strain relief can do more than just relieve the strain on conductors:

Simply clip onto the plug and

- bundle conductors
- guide cables
- use as a connection and disconnection aid

No damage to the connecting points, clear, tidy wiring and easy to handle.

User advantages: permanent heavy-duty connections for harsh industrial environments and convenient operation ensure improved system availability.

General ordering data

| | |
|--------------|---|
| Version | PCB plug-in connector, Accessories, Strain relief, orange, Number of poles: 6 |
| Order No. | 2525780000 |
| Type | BLF/SLF 5.08 ZE06 OR |
| GTIN (EAN) | 4050118536881 |
| Qty. | 50 items |
| Product data | |
| Packaging | Box |

BLF/SLF 5.08 ZE06 OR

Weidmüller Interface GmbH & Co. KG
 Klingenbergstraße 26
 D-32758 Detmold
 Germany

www.weidmueller.com

Technical data

Approvals

| | |
|------|---------|
| ROHS | Conform |
|------|---------|

Dimensions and weights

| | | | |
|------------|---------|-----------------|-------------|
| Depth | 37 mm | Depth (inches) | 1.4567 inch |
| Height | 3.3 mm | Height (inches) | 0.1299 inch |
| Width | 24.8 mm | Width (inches) | 0.9764 inch |
| Net weight | 0.92 g | | |

Environmental Product Compliance

| | |
|------------------------|-----------------------------|
| RoHS Compliance Status | Compliant without exemption |
| REACH SVHC | No SVHC above 0.1 wt% |

Material data

| | | | |
|---------------------------------------|----------|---------------------------------------|--------|
| Insulating material | PA 66/6 | Colour | orange |
| Colour chart (similar) | RAL 2000 | Moisture Level (MSL) | |
| Contact material | Cu-alloy | Storage temperature, min. | -40 °C |
| Storage temperature, max. | 70 °C | Operating temperature, min. | -50 °C |
| Operating temperature, max. | 100 °C | Temperature range, installation, min. | -25 °C |
| Temperature range, installation, max. | 100 °C | | |

Rated data acc. to IEC

| | |
|-------------------------|------------------------|
| tested acc. to standard | IEC 60664-1, IEC 61984 |
|-------------------------|------------------------|

Packing

| | | | |
|-----------|-----------|------------|-----------|
| Packaging | Box | VPE length | 142.00 mm |
| VPE width | 105.00 mm | VPE height | 40.00 mm |

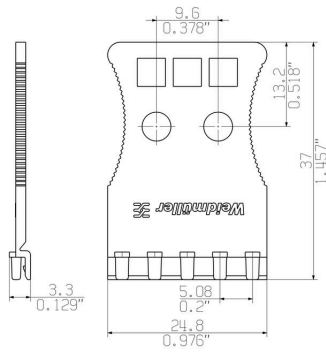
Important note

| | |
|----------------|--|
| IPC conformity | Conformity: The products are developed, manufactured and delivered according international recognized standards and norms and comply with the assured properties in the data sheet resp. fulfill decorative properties in accordance with IPC-A-610 "Class 2". Further claims on the products can be evaluated on request. |
| Notes | <ul style="list-style-type: none"> Long term storage of the product with average temperature of 50 °C and maximum humidity 70%, 36 months |

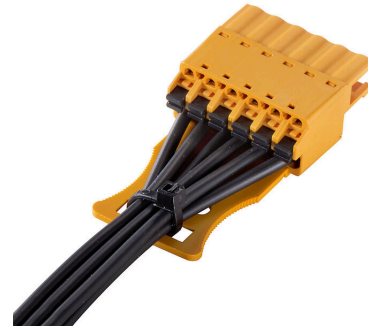
Classifications

| | | | |
|-------------|-------------|-------------|-------------|
| ETIM 8.0 | EC002943 | ETIM 9.0 | EC002943 |
| ETIM 10.0 | EC002943 | ECLASS 14.0 | 27-46-04-02 |
| ECLASS 15.0 | 27-46-04-02 | | |

Dimensioned drawing



Example of use



Example of use



Example of use

