

**CMA-CTM-7-SNAP-ON****Weidmüller Interface GmbH & Co. KG**

Klingenbergstraße 26

D-32758 Detmold

Germany

www.weidmueller.com



The CMA-CTM 7 series mini current transformer is an inductive current transformer designed according to the transformer principle for circular primary conductors.

The CMA-CTM 7 series current transformers are maintenance-free and is designed for measuring primary currents in the range 32 A to 64 A. This is converted into a current up to 1 A on the secondary side.

With its small dimensions, it perfectly suits applications in a 3-phase circuit breaker with a phase separation of 17.5 mm.

**General ordering data**

Order No.	2525160000
Type	<a href="#">CMA-CTM-7-SNAP-ON</a>
GTIN (EAN)	4050118536522
Qty.	1 items

**CMA-CTM-7-SNAP-ON**

**Weidmüller Interface GmbH & Co. KG**  
 Klingenbergstraße 26  
 D-32758 Detmold  
 Germany

www.weidmueller.com

**Technical data**

**Approvals**

ROHS Conform

**Dimensions and weights**

Depth	10 mm	Depth (inches)	0.3937 inch
Height	10 mm	Height (inches)	0.3937 inch
Width	10 mm	Width (inches)	0.3937 inch
Net weight	4.4 g		

**Temperatures**

Storage temperature	-20 °C...70 °C	Ambient temperature	-10 °C...40 °C
Operating temperature		Continuous operating temp., min.	-10 °C
Continuous operating temp., max.	40 °C		

**Environmental Product Compliance**

RoHS Compliance Status Compliant  
 REACH SVHC No SVHC above 0.1 wt%

**Technical properties**

Protection degree IP20

**Classifications**

ETIM 8.0	EC002625	ETIM 9.0	EC002625
ETIM 10.0	EC002625	ECLASS 14.0	27-18-28-07
ECLASS 15.0	27-18-28-07		

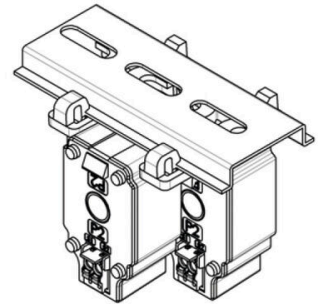
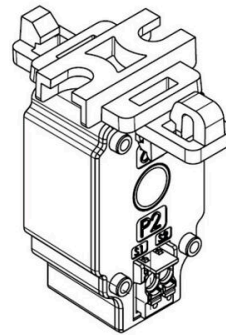
CMA-CTM-7-SNAP-ON

Weidmüller Interface GmbH & Co. KG  
Klingenbergstraße 26  
D-32758 Detmold  
Germany

www.weidmueller.com

Drawings

Example of use



Dimensioned drawing

