

## CMA-CTM-7-32-1A-0.2VA-1

**Weidmüller Interface GmbH & Co. KG**  
 Klingenbergstraße 26  
 D-32758 Detmold  
 Germany

www.weidmueller.com



The CMA-CTM 7 series mini current transformer is an inductive current transformer designed according to the transformer principle for circular primary conductors.

The CMA-CTM 7 series current transformers are maintenance-free and is designed for measuring primary currents in the range 32 A to 64 A. This is converted into a current up to 1 A on the secondary side.

With its small dimensions, it perfectly suits applications in a 3-phase circuit breaker with a phase separation of 17.5 mm.

### General ordering data

Version	Primary current: 32 A, Secondary current max.: 1 A, Load: 0.2 VA, Tolerance class: 1, closed current transformer
Order No.	<a href="#">2525150000</a>
Type	CMA-CTM-7-32-1A-0.2VA-1
GTIN (EAN)	4050118536515
Qty.	1 items
Manufacturer	MBS AG

## CMA-CTM-7-32-1A-0.2VA-1

**Weidmüller Interface GmbH & Co. KG**  
 Klingenbergstraße 26  
 D-32758 Detmold  
 Germany

www.weidmueller.com

## Technical data

### Approvals

ROHS	Conform
------	---------

### Dimensions and weights

Depth	19 mm	Depth (inches)	0.748 inch
Height	46.5 mm	Height (inches)	1.8307 inch
Width	27.5 mm	Width (inches)	1.0827 inch
Net weight	56.32 g		

### Temperatures

Storage temperature	-25 °C...70 °C	Operating temperature	-5 °C...50 °C
---------------------	----------------	-----------------------	---------------

### Environmental Product Compliance

RoHS Compliance Status	Compliant
REACH SVHC	No SVHC above 0.1 wt%

### Measuring voltage input

Frequency range, max.	60 Hz	Frequency range, min.	40 Hz
-----------------------	-------	-----------------------	-------

### Dimensions of live conductors

Type of conductor	Insulated conductor only	Round conductor	7.60 mm
Installation location	Indoor use		

### Electrical attributes

Tolerance class	1	Nominal turns ratio	10 kA/V
Secondary current	0...1 A	Load	0.2 VA
Primary current	32 A		

### Technical properties

Insulation class	E	Thermal rated continuous current I <sub>thermal</sub>	1.0 x I <sub>rated</sub>
Nominal frequency	50 Hz		

### Insulation coordination

Standard	IEC 61869-1: 2007, IEC 61869-2: 2012, IEC 61010-1	Tolerance class	1
----------	---	-----------------	---

### Classifications

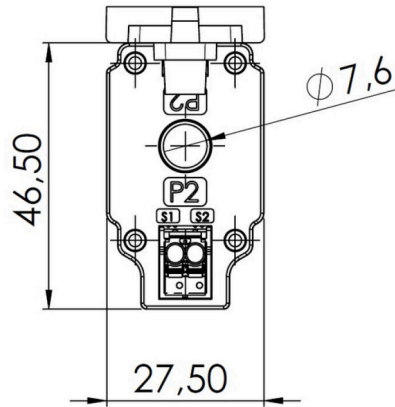
ETIM 8.0	EC002048	ETIM 9.0	EC002048
ETIM 10.0	EC002048	ECLASS 14.0	27-21-09-02
ECLASS 15.0	27-21-09-02		

**CMA-CTM-7-32-1A-0.2VA-1**

**Weidmüller Interface GmbH & Co. KG**  
Klingenbergstraße 26  
D-32758 Detmold  
Germany

**Drawings**

[www.weidmueller.com](http://www.weidmueller.com)



**CMA-CTM-7-32-1A-0.2VA-1**

**Weidmüller Interface GmbH & Co. KG**  
Klingenbergstraße 26  
D-32758 Detmold  
Germany

[www.weidmueller.com](http://www.weidmueller.com)

**Accessories****Mini current transformer**

The CMA-CTM 7 series mini current transformer is an inductive current transformer designed according to the transformer principle for circular primary conductors.

The CMA-CTM 7 series current transformers are maintenance-free and is designed for measuring primary currents in the range 32 A to 64 A. This is converted into a current up to 1 A on the secondary side.

With its small dimensions, it perfectly suits applications in a 3-phase circuit breaker with a phase separation of 17.5 mm.

**General ordering data**

Type	CMA-CTM-7-SNAP-ON	Version	
Order No.	<a href="#">2525 160000</a>		
GTIN (EAN)	4050118536522		
Qty.	1 ST		