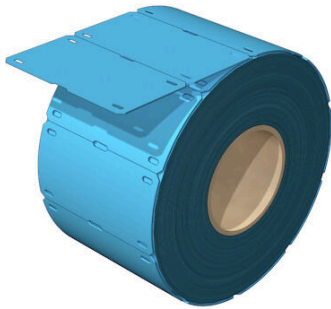


**SFX 30/60 MM BL**

**Weidmüller Interface GmbH & Co. KG**  
Klingenbergstraße 26  
D-32758 Detmold  
Germany

www.weidmueller.com

**Highly flexible: SFX**

SFX markers are the preferred choice for labelling cables if you prefer the classic cable tie solution. Cables do not always run in a straight line. The material used in SFX markers addresses this fact with highly flexible polyurethane. The marker follows each curve of the cable and latches on with ease.

**General ordering data**

Version	SlimFix, Conductor and cable markers, 7 -, 60 x 32 mm, blue
Order No.	<a href="#">2519140000</a>
Type	SFX 30/60 MM BL
GTIN (EAN)	4050118531299
Qty.	300 items

## SFX 30/60 MM BL

**Weidmüller Interface GmbH & Co. KG**  
 Klingenbergstraße 26  
 D-32758 Detmold  
 Germany

www.weidmueller.com

## Technical data

## Approvals

ROHS	Conform
------	---------

## Dimensions and weights

Depth	0.6 mm	Depth (inches)	0.0236 inch
Height	60 mm	Height (inches)	2.3622 inch
Width	32 mm	Width (inches)	1.2598 inch
Net weight	1.44 g		

## Temperatures

Operating temperature range	-40...90 °C
-----------------------------	-------------

## Environmental Product Compliance

RoHS Compliance Status	Compliant without exemption
REACH SVHC	No SVHC above 0.1 wt%

## General data

Type of printing	neutral	Version	halogen-free
Width	32 mm	UL 94 flammability rating	HB
Operating temperature range, max.	90 °C	Operating temperature range, min.	-40 °C
Colour	blue	Halogen	No
Basic material	Polyurethane	Printed characters	without
Size of labelling field	45 x 29.5 mm	compatible printer	<a href="#">THM MULTIMARK</a> , <a href="#">THM MULTIMARK PLUS</a>
Operating temperature range	-40...90 °C	Number per roll	300

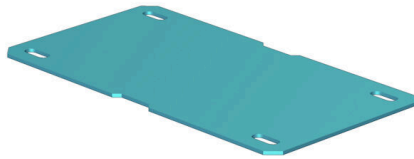
## Conductor and cable markers

Halogen	No	Conductor cross-section, max.	500 mm <sup>2</sup>
Conductor O.D., max.	40 mm	Conductor O.D., min.	7 mm
Text field width	45 mm	Cable tie passage	Flat
Text field height	29.5 mm	Conductor O.D.	7 -
Suitable cable tie	Plastic	Cross-section for connected wire	500 mm <sup>2</sup>

## Classifications

ETIM 8.0	EC001530	ETIM 9.0	EC001530
ETIM 10.0	EC001530	ECLASS 14.0	27-28-11-02
ECLASS 15.0	27-28-11-02		

**Drawings**



## SFX 30/60 MM BL

**Weidmüller Interface GmbH & Co. KG**  
Klingenbergstraße 26  
D-32758 Detmold  
Germany

[www.weidmueller.com](http://www.weidmueller.com)

## Accessories

### Ink ribbons



These printers produce excellent printing results thanks to the thermal transfer technique. Different materials and the user-friendly printing system under Windows optimise marking efforts.

#### General ordering data

Type	RIBBON MM 76/360 SW	Version	
Order No.	<a href="#">2005080000</a>	Ink ribbon	
GTIN (EAN)	4050118389951		
Qty.	1 ST		

### THM MULTIMARK



These printers produce excellent printing results thanks to the thermal transfer technique. Different materials and the user-friendly printing system under Windows optimise marking efforts.

#### General ordering data

Type	MULTIMARK ROLLER 115	Version	
Order No.	<a href="#">1357420000</a>		
GTIN (EAN)	4050118160314		
Qty.	1 ST		

### THM MULTIMARK PLUS



These printers produce excellent printing results thanks to the thermal transfer technique. Different materials and the user-friendly printing system under Windows optimise marking efforts.

#### General ordering data

Type	MULTIMARK PLUS ROLLER 1...	Version	
Order No.	<a href="#">2672590000</a>		
GTIN (EAN)	4050118708097		
Qty.	1 ST		