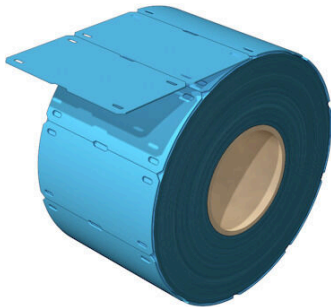


SFX 30/60 MM BL

Weidmüller Interface GmbH & Co. KG
Klingenbergstraße 26
D-32758 Detmold
Germany

www.weidmueller.com



Highly flexible: SFX

SFX markers are the preferred choice for labelling cables if you prefer the classic cable tie solution. Cables do not always run in a straight line. The material used in SFX markers addresses this fact with highly flexible polyurethane. The marker follows each curve of the cable and latches on with ease.

General ordering data

Version	SlimFix, Conductor and cable markers, 7 -, 60 x 32 mm, blue
Order No.	2519140000
Type	SFX 30/60 MM BL
GTIN (EAN)	4050118531299
Qty.	300 items

SFX 30/60 MM BL

Weidmüller Interface GmbH & Co. KG
 Klingenbergstraße 26
 D-32758 Detmold
 Germany

www.weidmueller.com

Technical data

Approvals

ROHS	Conform
------	---------

Dimensions and weights

Depth	0.6 mm	Depth (inches)	0.0236 inch
Height	60 mm	Height (inches)	2.3622 inch
Width	32 mm	Width (inches)	1.2598 inch
Net weight	1.44 g		

Temperatures

Operating temperature range	-40...90 °C
-----------------------------	-------------

Environmental Product Compliance

RoHS Compliance Status	Compliant without exemption
REACH SVHC	No SVHC above 0.1 wt%

General data

Type of printing	neutral	Version	halogen-free
Width	32 mm	UL 94 flammability rating	HB
Operating temperature range, max.	90 °C	Operating temperature range, min.	-40 °C
Colour	blue	Halogen	No
Basic material	Polyurethane	Printed characters	without
Size of labelling field	45 x 29.5 mm	compatible printer	THM MULTIMARK , THM MULTIMARK PLUS
Operating temperature range	-40...90 °C	Number per roll	300

Conductor and cable markers

Halogen	No	Conductor cross-section, max.	500 mm ²
Conductor O.D., max.	40 mm	Conductor O.D., min.	7 mm
Text field width	45 mm	Cable tie passage	Flat
Text field height	29.5 mm	Conductor O.D.	7 -
Suitable cable tie	Plastic	Cross-section for connected wire	500 mm ²

Classifications

ETIM 8.0	EC001530	ETIM 9.0	EC001530
ETIM 10.0	EC001530	ECLASS 14.0	27-28-11-02
ECLASS 15.0	27-28-11-02		

