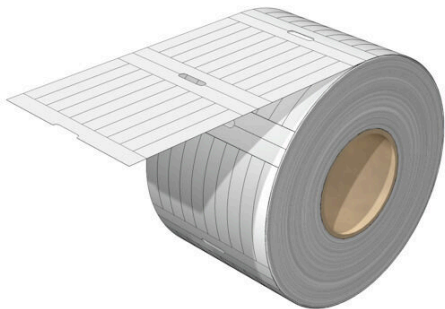


## ELS 7/40 MM WS

**Weidmüller Interface GmbH & Co. KG**  
Klingenbergstraße 26  
D-32758 Detmold  
Germany

[www.weidmueller.com](http://www.weidmueller.com)



### ELS

ELS tags are special and non-adhesive insertable labels for WKM cable markers or for group tag carriers. The matt, thin but tear-resistant polyester provides very good labelling and excellent readability. Used in combination with water-repellent WKM sleeves, the solution guarantees particularly long-lasting identification of cables even in harsh environments.

### General ordering data

Version	ELS, Insert markers, 40 x 6.3 mm, white
Order No.	<a href="#">2518620000</a>
Type	ELS 7/40 MM WS
GTIN (EAN)	4050118531312
Qty.	3000 items

## ELS 7/40 MM WS

**Weidmüller Interface GmbH & Co. KG**  
 Klingenbergstraße 26  
 D-32758 Detmold  
 Germany

www.weidmueller.com

## Technical data

### Approvals

ROHS	Conform
------	---------

### Dimensions and weights

Depth	0.14 mm	Depth (inches)	0.0055 inch
Height	40 mm	Height (inches)	1.5748 inch
Width	6.3 mm	Width (inches)	0.248 inch
Net weight	0.06 g		

### Temperatures

Operating temperature range	-40...150 °C
-----------------------------	--------------

### Environmental Product Compliance

RoHS Compliance Status	Compliant without exemption
REACH SVHC	No SVHC above 0.1 wt%

### General data

Type of printing	neutral	Version	halogen-free
Width	6.3 mm	UL 94 flammability rating	HB
Operating temperature range, max.	150 °C	Operating temperature range, min.	-40 °C
Colour	white	Halogen	No
Basic material	Polyester	Printed characters	without
compatible printer	<a href="#">THM MULTIMARK</a> , <a href="#">THM MULTIMARK PLUS</a>	Operating temperature range	-40...150 °C
Number per roll	3000		

### Conductor and cable markers

Halogen	No
---------	----

### Classifications

ETIM 8.0	EC001530	ETIM 9.0	EC001530
ETIM 10.0	EC001530	ECLASS 14.0	27-28-11-02
ECLASS 15.0	27-28-11-02		

**Drawings**

