

SAI-04L-VP12-3A-M08L-AND

Weidmüller Interface GmbH & Co. KG
Klingenbergstraße 26
D-32758 Detmold
Germany

www.weidmueller.com

Technical data

Approvals

Approvals



ROHS Conform

Dimensions and weights

Net weight 58.08 g

Temperatures

Operating temperature -20 - 90°C

Environmental Product Compliance

RoHS Compliance Status Compliant without exemption
REACH SVHC No SVHC above 0.1 wt%

Connection data

Distributor outlet with M12 outlet Tightening torque M8: 0.5 - 0.6 Nm, M12: 0.8 - 1.2 Nm

Electrical data

Rated voltage, min.	15 V	Rated voltage, max.	30 V
Rated voltage	24 V	Nominal current	500 mA
Max. current-carrying capacity per slot	500 mA	Total current	2 A
Electrical isolation available	No		

General technical data

Protection degree	IP67	Logic function	and
Number of poles	3	Number of contact sockets	4
Connection thread	M8	Pollution severity	3
Fire behaviour	V-0	LED	Yes
LED initiator	Yes	LED colour for indicating operation	green
LED colour for I/O function	red		

Material data

Housing main material	PBT	Housing colour	black (similar to RAL 9005)
Screw socket	Nickel-plated CuZn	Contact material	Nickel-plated CuZn
Contact surface	Gold-plated	Contact carrier material	PBT (UL 94 V0)

Technical data cable

Number of poles 3 Suitable for cable carriers No

Classifications

ETIM 8.0	EC003558	ETIM 9.0	EC003558
ETIM 10.0	EC003558	ECLASS 14.0	27-44-01-11

SAI-04L-VP12-3A-M08L-AND

Weidmüller Interface GmbH & Co. KG
Klingenbergstraße 26
D-32758 Detmold
Germany

www.weidmueller.com

Technical data

ECLASS 15.0

27-44-01-11

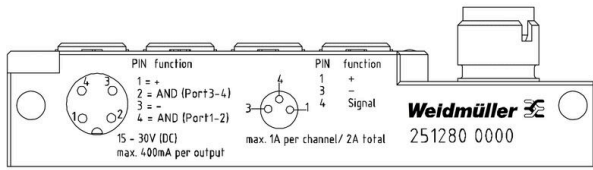
SAI-04L-VP12-3A-M08L-AND

Weidmüller Interface GmbH & Co. KG
 Klingenbergstraße 26
 D-32758 Detmold
 Germany

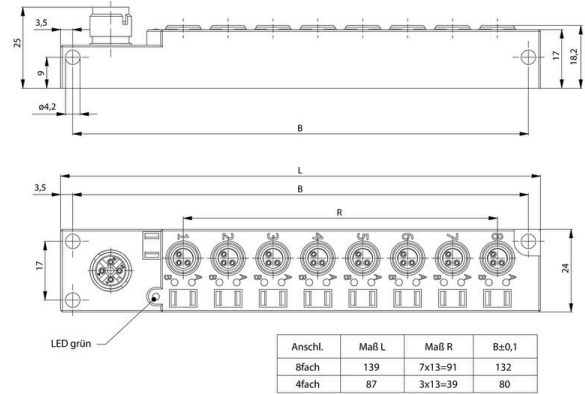
www.weidmueller.com

Drawings

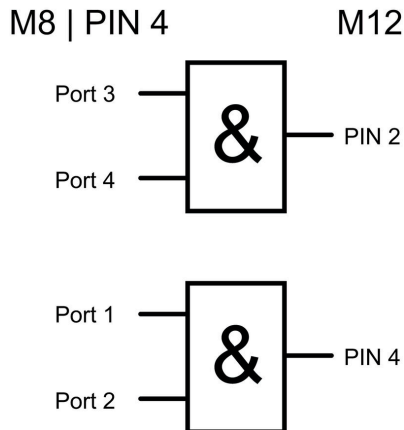
Detailed drawing



Dimensioned drawing



Wiring diagram



Pole scheme

