

**SAI-04L-VP12-3A-M08L-LOG**

**Weidmüller Interface GmbH & Co. KG**  
Klingenbergstraße 26  
D-32758 Detmold  
Germany

www.weidmueller.com



SAI – logic module These devices allow the combination of signals by means of an AND or an OR gate. This function leads to a reduction in the amount of wiring. The required inputs to the PLC can be reduced by up to 6 inputs. This process therefore saves the amount of wiring and material in the field.

**General ordering data**

Version	with M12 outlet, M8, 30 V, , LED: Yes, LED initiator: Yes, Wiring type: AND/OR
Order No.	<a href="#">2512390000</a>
Type	SAI-04L-VP12-3A-M08L-LOG
GTIN (EAN)	4050118527773
Qty.	1 items

## SAI-04L-VP12-3A-M08L-LOG

**Weidmüller Interface GmbH & Co. KG**  
 Klingenbergstraße 26  
 D-32758 Detmold  
 Germany

www.weidmueller.com

## Technical data

### Approvals

Approvals



ROHS Conform

### Dimensions and weights

Net weight 58.08 g

### Temperatures

Operating temperature -20 - 90°C

### Environmental Product Compliance

RoHS Compliance Status Compliant without exemption  
 REACH SVHC No SVHC above 0.1 wt%

### Connection data

Distributor outlet with M12 outlet Tightening torque M8: 0.5 - 0.6 Nm, M12: 0.8 - 1.2 Nm

### Electrical data

Rated voltage, min.	15 V	Rated voltage, max.	30 V
Rated voltage	24 V	Nominal current	500 mA
Max. current-carrying capacity per slot	500 mA	Total current	2 A
Electrical isolation available	No		

### General technical data

Protection degree	IP67	Logic function	or, and
Number of poles	3	Number of contact sockets	4
Connection thread	M8	Pollution severity	3
Fire behaviour	V-0	LED	Yes
LED initiator	Yes	LED colour for indicating operation	green
LED colour for I/O function	yellow		

### Material data

Housing main material	PBT	Housing colour	black (similar to RAL 9005)
Screw socket	Nickel-plated CuZn	Contact material	Nickel-plated CuZn
Contact surface	Gold-plated	Contact carrier material	PBT (UL 94 V0)

### Technical data cable

Number of poles 3 Suitable for cable carriers No

### Classifications

ETIM 8.0	EC003558	ETIM 9.0	EC003558
ETIM 10.0	EC003558	ECLASS 14.0	27-44-01-11

**SAI-04L-VP12-3A-M08L-LOG**

**Weidmüller Interface GmbH & Co. KG**  
Klingenbergstraße 26  
D-32758 Detmold  
Germany

[www.weidmueller.com](http://www.weidmueller.com)

**Technical data**

---

ECLASS 15.0

27-44-01-11

---

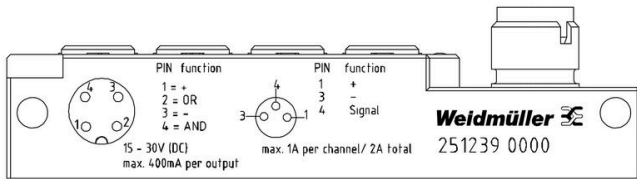
SAI-04L-VP12-3A-M08L-LOG

Weidmüller Interface GmbH & Co. KG  
 Klingenbergstraße 26  
 D-32758 Detmold  
 Germany

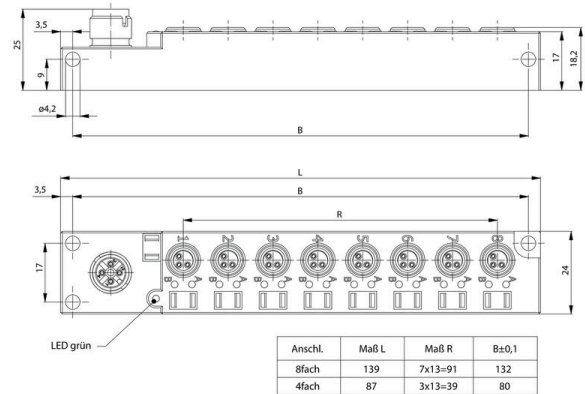
www.weidmueller.com

Drawings

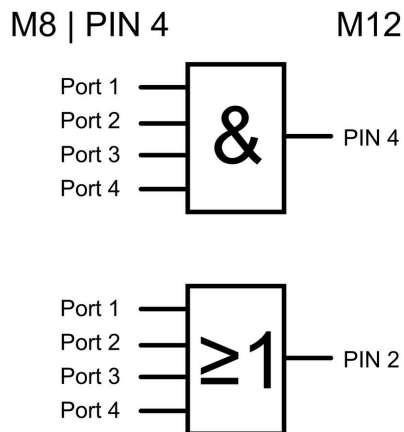
Detailed drawing



Dimensioned drawing



Wiring diagram



Pole scheme

