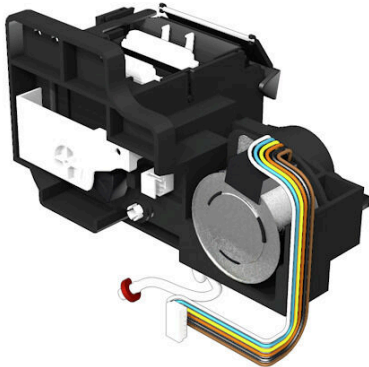


**PJ ADV SERVICE SET CU**

**Weidmüller Interface GmbH & Co. KG**  
Klingenbergstraße 26  
D-32758 Detmold  
Germany

www.weidmueller.com



**General ordering data**

Order No.	2511750000
Type	<a href="#">PJ ADV SERVICE SET CU</a>
GTIN (EAN)	4050118527711
Qty.	1 items

**PJ ADV SERVICE SET CU**

**Weidmüller Interface GmbH & Co. KG**  
 Klingenbergstraße 26  
 D-32758 Detmold  
 Germany

[www.weidmueller.com](http://www.weidmueller.com)

**Technical data**

**Approvals**

ROHS	Conform
------	---------

**Dimensions and weights**

Depth	99 mm	Depth (inches)	3.8976 inch
Height	95 mm	Height (inches)	3.7401 inch
Width	139 mm	Width (inches)	5.4724 inch
Net weight	473 g		

**Environmental Product Compliance**

RoHS Compliance Status	Compliant without exemption
REACH SVHC	No SVHC above 0.1 wt%

**Classifications**

ETIM 8.0	EC001675	ETIM 9.0	EC001675
ETIM 10.0	EC001675	ECLASS 14.0	19-14-90-90
ECLASS 15.0	19-14-90-90		

**PJ ADV SERVICE SET CU**

**Weidmüller Interface GmbH & Co. KG**  
Klingenbergstraße 26  
D-32758 Detmold  
Germany

**Drawings**

[www.weidmueller.com](http://www.weidmueller.com)

**Example of use**

