

**IE-FCI-PWB-2USB-A-5V**

**Weidmüller Interface GmbH & Co. KG**  
Klingenbergstraße 26  
D-32758 Detmold  
Germany

www.weidmueller.com



FrontCom® Vario integrates multiple functions in only one single frame. The system is easy to install and you can select from a wide range of data, signal and power modules. In addition to being extremely compact, Front-Com® Vario offers a number of unique product features that will make your project planning and work activities secure, fast and future-proof. Furthermore, the Front-Com® Vario system has an attractive housing design that, by the way, offers highest impact-resistance and fully meets the requirements of IP 65 protection class.

**General ordering data**

Version	FrontCom, Insert Power large, USB charger
Order No.	<a href="#">2505070000</a>
Type	IE-FCI-PWB-2USB-A-5V
GTIN (EAN)	4050118519167
Qty.	1 items

## IE-FCI-PWB-2USB-A-5V

Weidmüller Interface GmbH &amp; Co. KG

Klingenbergstraße 26

D-32758 Detmold

Germany

www.weidmueller.com

## Technical data

## Approvals

Approvals



ROHS Conform

## Dimensions and weights

Net weight 52.5 g

## Temperatures

Storage temperature Operating temperature 0 °C...45 °C

Installation temperature

## Environmental Product Compliance

RoHS Compliance Status Compliant with exemption

RoHS Exemption (if applicable/known) 6c

REACH SVHC Lead 7439-92-1, Lead titanium zirconium oxide 12626-81-2, Diboron trioxide 1303-86-2

SCIP b775a754-112e-4875-a385-5b9a9936ea27

## General data

Protection degree IP40 Insert type Insert Power large

## USB charger

Charging sockets	2x USB A	Input current	≤ 300 mA
Input voltage	100...240 V	Input voltage, max.	240 V
Input voltage, min.	100 V	Output current	3 A
Output voltage	5 V	Output voltage	5 V DC
Output voltage type	DC	Frequency range	50...60 Hz
Degree of efficiency	80%	Power consumption in standby mode	max. 0.1 W
Protection class	II	Standards	EN 60950-1, EN 62684

## Clampable conductors

Stripping length	6 mm		
Type of connection	Screw connection		
Conductor connection cross-section, extremely flexible with wire end ferrule	min.	1.5 mm <sup>2</sup>	
	max.	2.5 mm <sup>2</sup>	
Conductor connection cross-section, rigid	min.	1.5 mm <sup>2</sup>	
	max.	2.5 mm <sup>2</sup>	
Conductor connection cross-section, flexible with wire end ferrule	min.	1.5 mm <sup>2</sup>	
	max.	2.5 mm <sup>2</sup>	
Conductor connection cross-section, rigid	1.5 ... 2.5 mm <sup>2</sup>		
Conductor connection cross-section, flexible with wire end ferrule	1.5 ... 2.5 mm <sup>2</sup>		
Conductor connection cross-section, extremely flexible with wire end ferrule	1.5 ... 2.5 mm <sup>2</sup>		

## IE-FCI-PWB-2USB-A-5V

**Weidmüller Interface GmbH & Co. KG**  
Klingenbergstraße 26  
D-32758 Detmold  
Germany

[www.weidmueller.com](http://www.weidmueller.com)

## Technical data

### Electrical properties

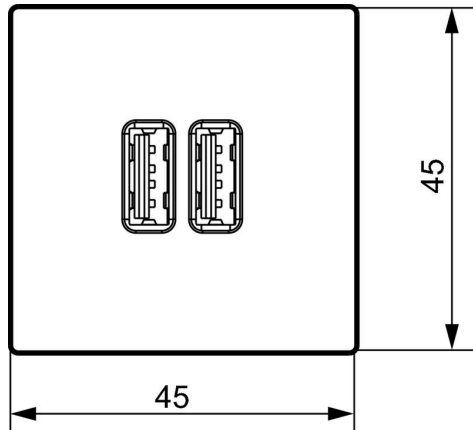
Degree of efficiency	80%
----------------------	-----

### Classifications

ETIM 8.0	EC001121	ETIM 9.0	EC001121
ETIM 10.0	EC001121	ECLASS 14.0	27-18-28-92
ECLASS 15.0	27-18-28-92		

**Drawings**

**Dimensioned drawing**



**Dimensioned drawing**

