

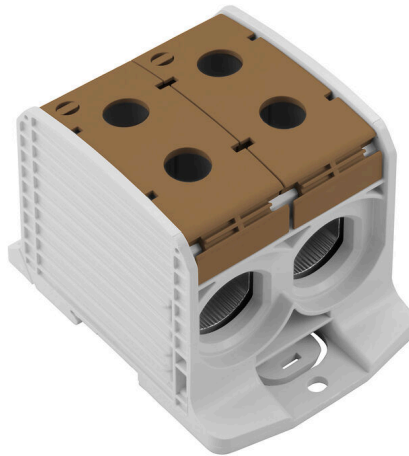
WPD 233 2X300/2X300 BN**Weidmüller Interface GmbH & Co. KG**

Klingenbergstraße 26

D-32758 Detmold

Germany

www.weidmueller.com

Product image

Klippon® Connect power feed-in terminal blocks WPD allow for an easy and safe installation of aluminium and copper conductors on a small footprint. A power supply or monitoring connection can also be used as an option. Customers can use the power feed-in terminal blocks WPD, regardless of the conductor material. They can be mounted either directly or on DIN rail TS35.

General ordering data

Version	Potential distributor terminal, Screw connection, brown, 300 mm ² , 520 A, 1000 V, Number of connections: 4, Number of levels: 1
Order No.	2502930000
Type	WPD 233 2X300/2X300 BN
GTIN (EAN)	4050118516753
Qty.	1 items

WPD 233 2X300/2X300 BN

Weidmüller Interface GmbH & Co. KG
Klingenbergstraße 26
D-32758 Detmold
Germany

www.weidmueller.com

Technical data

Approvals

Approvals



ROHS	Conform
UL File Number Search	UL Website
Certificate No. (cURus)	E60693

Dimensions and weights

Depth	83.5 mm	Depth (inches)	3.2874 inch
Height	118 mm	Height (inches)	4.6457 inch
Width	82.6 mm	Width (inches)	3.252 inch
Net weight	628 g		

Temperatures

Storage temperature	-25 °C...55 °C	Ambient temperature	-5 °C...40 °C
Continuous operating temp., min.	-50 °C	Continuous operating temp., max.	120 °C

Environmental Product Compliance

RoHS Compliance Status	Compliant without exemption
REACH SVHC	No SVHC above 0.1 wt%

Material data

Basic material	Wemid	Colour	brown
UL 94 flammability rating	V-0		

Rating data IECEx/ATEX

Certificate No. (ATEX)	CNEX18ATEX0016U	Certificate No. (IECEX)	IECEXCNEX18.0010U
Max. voltage (ATEX)	1100 V	Current (ATEX)	520 A
Wire cross section max. (ATEX)	300 mm ²	Max. voltage (IECEX)	1100 V
Current (IECEX)	520 A		

System specifications

Version	Screw connection	End cover plate required	No
Number of potentials	1	Number of levels	1
Number of clamping points per level	4	Levels cross-connected internally	No
PE connection	No	Mounting rail	TS 35
PE function	No		

Additional technical data

Installation advice	Terminal rail / mounting plate	Explosion-tested version	Yes
Type of mounting	Snap-on		

WPD 233 2X300/2X300 BN

Weidmüller Interface GmbH & Co. KG
 Klingenbergstraße 26
 D-32758 Detmold
 Germany

www.weidmueller.com

Technical data

Conductors for clamping (additional connection)

Connection type, additional connection Screw connection

Conductors for clamping (rated connection)

Wire connection cross section AWG, max.	kcmil 500	Connection direction	on side
Type of connection 2	Screw connection	Type of connection	Screw connection
Number of connections	4	Clamping range, max.	300 mm ²
Clamping range, min.	35 mm ²	Wire connection cross section AWG, min.	AWG 16
Wire connection cross-section, finely stranded with wire-end ferrules DIN 46228/4, min.	35 mm ²	Wire connection cross-section, finely stranded with wire-end ferrules DIN 46228/1, max.	240 mm ²
Wire connection cross-section, finely stranded with wire-end ferrules DIN 46228/1, min.	35 mm ²	Wire connection cross section, finely stranded, max.	300 mm ²
Wire connection cross section, finely stranded, min.	35 mm ²	Connection cross-section, stranded, max.	300 mm ²
Connection cross-section, stranded, min. 35 mm ²		Wire connection cross-section, solid core, max.	300 mm ²
Wire connection cross-section, solid core, min.	35 mm ²		

General

Number of poles	1	Wire connection cross section AWG, max.	kcmil 500
Installation advice	Terminal rail / mounting plate	Wire connection cross section AWG, min.	AWG 16
Standards	IEC 60947-7-1, UL 1059, CSA	Mounting rail	TS 35

Rating data

Rated cross-section	300 mm ²	Rated voltage	1000 V
Rated AC voltage	1000 V	Rated DC voltage	1000 V
Nominal current	520 A	Current at maximum wires	520 A
Standards	IEC 60947-7-1, UL 1059, CSA	Volume resistance according to IEC 60947-7-x	0.06 mΩ
Rated impulse withstand voltage	8 kV	Power loss in accordance with IEC 60947-7-x	16.64 W
Surge voltage category	III	Pollution severity	3

UL rating data

Certificate No. (cURus) E60693

Important note

Product information You will find additional information in the downloadsection of the onlinecatalogue

Classifications

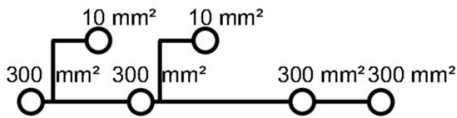
ETIM 8.0	EC000897	ETIM 9.0	EC000897
ETIM 10.0	EC000897	ECLASS 14.0	27-25-01-19
ECLASS 15.0	27-25-01-19		

WPD 233 2X300/2X300 BN

Weidmüller Interface GmbH & Co. KG
 Klingenbergstraße 26
 D-32758 Detmold
 Germany

Drawings

www.weidmueller.com



Conductor connection data according to IEC 60947-7-1 (Cu)

Input (x1) / Output (x1)	Copper		Aluminum	
	□	□	□	□
300 mm²				
240 mm²				
185 mm²	45 Nm		65 Nm	65 Nm
150 mm²				
120 mm²				
95 mm²				
70 mm²				
50 mm²				
35 mm²				
Flat band 15x25x1 mm				
Max. current with 2 x 300 mm² (acc. to IEC)	1040 A		940 A	
Stripping lengths	34 mm			
Allen screw	M24 (SW 12 mm)			

Auxiliary connection

	Copper	
	□	□
10 mm²		
6 mm²		
4 mm²	1,2 Nm	1,2 Nm
2,5 mm²		
1,5 mm²		
max. current	57 A	
Stripping lengths	10 mm	
Screw	M4 (+ PZ2)	

Stranded
 Solid
 Flexible with ferrule
 Sector shaped
 Flat band

Conductor connection data according to UL 1059 (Al+Cu)

Input (x1) / Output (x1)	Copper		Aluminum	
	□	□	□	□
600 kcmil				
300 kcmil				
300 kcmil	300 lb ft.		575 lb ft.	575 lb ft.
300 kcmil				
250 kcmil				
AWG 3/0				
AWG 2/0	200 lb ft.			
AWG 1				
AWG 2				
Max. current at 1 x 300 mm² (acc. to UL)	820 A		340 A	
Stripping lengths	34 mm			
Allen screw	M24 (SW 12 mm)			

Auxiliary connection

	Copper	
	□	□
AWG 8		
AWG 10		
AWG 12	20.3 lb ft.	20.3 lb ft.
AWG 14		
AWG 16		
max. current	57 A	
Stripping lengths	10 mm	
Screw	M4 (+ PZ2)	

Stranded
 Solid
 Flexible with ferrule
 Sector shaped
 Flat band

