

WPD 132 1X185/1X185 BK

Weidmüller Interface GmbH & Co. KG
Klingenbergstraße 26
D-32758 Detmold
Germany

www.weidmueller.com

Product image

Klippon® Connect power feed-in terminal blocks WPD allow for an easy and safe installation of aluminium and copper conductors on a small footprint. A power supply or monitoring connection can also be used as an option. Customers can use the power feed-in terminal blocks WPD, regardless of the conductor material. They can be mounted either directly or on DIN rail TS35.

General ordering data

Version	Potential distributor terminal, Screw connection, black, 185 mm ² , 353 A, 1000 V, Number of connections: 2, Number of levels: 1
Order No.	2502790000
Type	WPD 132 1X185/1X185 BK
GTIN (EAN)	4050118516616
Qty.	1 items

WPD 132 1X185/1X185 BK

Weidmüller Interface GmbH & Co. KG
 Klingenbergstraße 26
 D-32758 Detmold
 Germany

www.weidmueller.com

Technical data

Approvals

Approvals



ROHS Conform

Dimensions and weights

Depth	73.5 mm	Depth (inches)	2.8937 inch
Height	105 mm	Height (inches)	4.1338 inch
Width	37.5 mm	Width (inches)	1.4764 inch
Net weight	204 g		

Temperatures

Storage temperature	-25 °C...55 °C	Ambient temperature	-5 °C...40 °C
Continuous operating temp., min.	-50 °C	Continuous operating temp., max.	120 °C

Environmental Product Compliance

RoHS Compliance Status	Compliant without exemption
REACH SVHC	No SVHC above 0.1 wt%

Material data

Basic material	Wemid	Colour	black
UL 94 flammability rating	V-0		

Rating data IECEX/ATEX

Certificate No. (ATEX)	CNEX18ATEX0016U	Certificate No. (IECEX)	IECEXNEX18.0010U
Max. voltage (ATEX)	1100 V	Current (ATEX)	353 A
Wire cross section max. (ATEX)	185 mm ²	Max. voltage (IECEX)	1100 V
Current (IECEX)	353 A		

System specifications

Version	Screw connection	End cover plate required	No
Number of levels	1	Number of clamping points per level	2
Levels cross-connected internally	No	PE connection	No
Mounting rail	TS 35	PE function	No

Additional technical data

Installation advice	Terminal rail / mounting plate	Explosion-tested version	Yes
Type of mounting	Snap-on		

Conductors for clamping (additional connection)

Connection type, additional connection Screw connection

WPD 132 1X185/1X185 BK

Weidmüller Interface GmbH & Co. KG
 Klingenbergstraße 26
 D-32758 Detmold
 Germany

www.weidmueller.com

Technical data

Conductors for clamping (rated connection)

Wire connection cross section AWG, max.	kcmil 300	Connection direction	on side
Type of connection 2	Screw connection	Type of connection	Screw connection
Number of connections	2	Clamping range, max.	185 mm ²
Clamping range, min.	25 mm ²	Wire connection cross section AWG, min.	AWG 4
Wire connection cross-section, finely stranded with wire-end ferrules DIN 46228/4, min.	25 mm ²	Wire connection cross-section, finely stranded with wire-end ferrules DIN 46228/1, max.	150 mm ²
Wire connection cross-section, finely stranded with wire-end ferrules DIN 46228/1, min.	25 mm ²	Wire connection cross section, finely stranded, max.	185 mm ²
Wire connection cross section, finely stranded, min.	25 mm ²	Connection cross-section, stranded, max.	185 mm ²
Connection cross-section, stranded, min.	25 mm ²	Wire connection cross-section, solid core, max.	185 mm ²
Wire connection cross-section, solid core, min.	25 mm ²		

General

Number of poles	1	Wire connection cross section AWG, max.	kcmil 300
Installation advice	Terminal rail / mounting plate	Wire connection cross section AWG, min.	AWG 4
Standards	IEC 60947-7-1, UL 1059, CSA	Mounting rail	TS 35

Rating data

Rated cross-section	185 mm ²	Rated voltage	1000 V
Rated AC voltage	1000 V	Rated DC voltage	1000 V
Nominal current	353 A	Current at maximum wires	353 A
Standards	IEC 60947-7-1, UL 1059, CSA	Volume resistance according to IEC 60947-7-x	0.09 mΩ
Rated impulse withstand voltage	8 kV	Power loss in accordance with IEC 60947-7-x	11.30 W
Short-time withstand current resistance	8/20μs with 50 kA	Surge voltage category	III
Pollution severity	3		

Important note

Product information	You will find additional information in the downloadsection of the onlinecatalogue
---------------------	--

Classifications

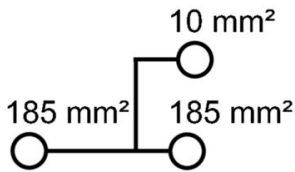
ETIM 8.0	EC000897	ETIM 9.0	EC000897
ETIM 10.0	EC000897	ECLASS 14.0	27-25-01-19
ECLASS 15.0	27-25-01-19		

WPD 132 1X185/1X185 BK

Weidmüller Interface GmbH & Co. KG
 Klingenbergstraße 26
 D-32758 Detmold
 Germany

Drawings

www.weidmueller.com



Conductor connection data according to IEC 60947-7-1 (Cu)

Input (x1) / Output (x1)	Copper		Aluminum	
	□	□	□	□
185 mm²	25 Nm	25 Nm	30,9 Nm	30,9 Nm
150 mm²				
120 mm²				
95 mm²				
70 mm²				
50 mm²	20 Nm			
35 mm²				
25 mm²				
Flat band 10x15,5x0,8 mm			30,9 Nm	
max. current with 2 x 185 mm² (acc. to IEC)	706 A		284 A	
Stripping lengths	29 mm			
Allen screw	M18 (SW 18 mm)			

Auxiliary connection

	Copper	
	□	□
10 mm²		
6 mm²		
4 mm²	1,2 Nm	1,2 Nm
2,5 mm²		
1,5 mm²		
max. current	57 A	
Stripping lengths	10 mm	
screw	M4 (+PZ2)	

Stranded
 Solid
 Flexible with ferrule
 Sector shaped
 Flat band

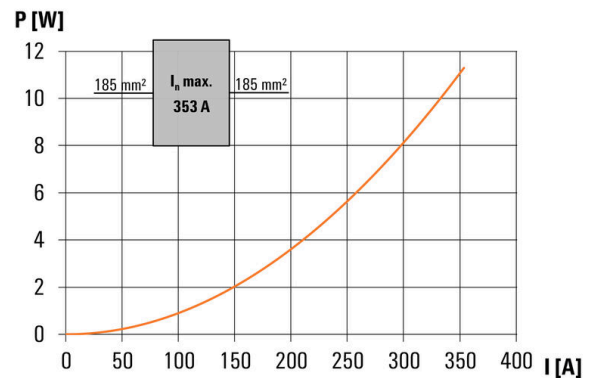
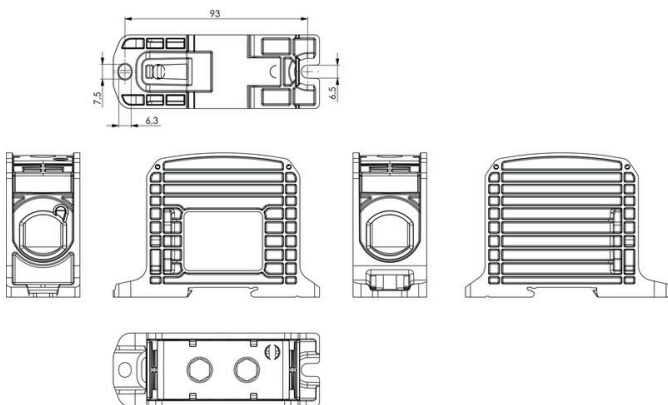
Conductor connection data according to UL 1059 (Al+Cu)

Input (x1) / Output (x1)	Copper		Aluminum	
	□	□	□	□
350 kcmil				
300 kcmil				
250 kcmil	250 lb in.	250 lb in.	398 lb in.	398 lb in.
AWG 3/0				
AWG 2/0				
AWG 1/0				
AWG 2	200 lb in.			
AWG 4				
max. current with 1 x 185 mm² (acc. to UL)	310 A		250 A	
Stripping lengths	29 mm			
Allen screw	M18 (SW 18 mm)			

Auxiliary connection

	Copper	
	□	□
AWG 8		
AWG 10		
AWG 12	20.3 lb in.	20.3 lb in.
AWG 14		
AWG 16		
max. current	57 A	
Stripping lengths	10 mm	
screw	M4 (+PZ2)	

Stranded
 Solid
 Flexible with ferrule
 Sector shaped
 Flat band



WPD 132 1X185/1X185 BK

Weidmüller Interface GmbH & Co. KG
 Klingenbergstraße 26
 D-32758 Detmold
 Germany

www.weidmueller.com

Accessories

Cover



Our systems for touch protection ensure greater safety in your cabinet. They provide protection against electric shock caused by accidental contact with live parts due to operation or faults.

General ordering data

Type	WPDPC X32 GY	Version	
Order No.	2503380000	Version	Cover hood (terminal), Wemid
GTIN (EAN)	4050118533347		
Qty.	12 ST		

Blank



The Dekafix (DEK) marker is the universal marker for all conductor and plug-in connectors as well as for electronic sub-assemblies. The system is ideal for short number sequences and covers a wide range of ready-printed markers.

Strips for fast installation in only one work step. The printing is easy to read, rich in contrast and available in various widths.

- Large range of ready-to-use markers
 - Strips for fast installation
 - Terminal markers, suitable for all Weidmüller cable connectors
 - Available as blank MultiCard or with standard printing
- For custom printing: Please send us a file of our labeling software M-Print PRO or M-Print PRO Online (without installation) for your labeling specifications.

General ordering data

Type	DEK 5/5 MC NE WS	Version	
Order No.	1609801044	Version	Dekafix, Terminal marker, 5 x 5 mm, Pitch in mm (P): 5.00
GTIN (EAN)	4008190397111		Weidmueller, white
Qty.	1000 ST		

Socket wrench sets

Allen key made from fully hardened, high-alloy chromium-vanadium- steel, acc. to DIN ISO 2936 L (DIN 911), high-quality refined surface.



WPD 132 1X185/1X185 BK

Weidmüller Interface GmbH & Co. KG
 Klingenbergstraße 26
 D-32758 Detmold
 Germany

www.weidmueller.com

Accessories

General ordering data

Type	SK WSD-S 1,5-10,0	Version
Order No.	9008850000	Mounting tool
GTIN (EAN)	4032248266609	
Qty.	1 ST	
Type	SKS 2,0-8,0 MR	Version
Order No.	9008870000	socket wrenches
GTIN (EAN)	4032248266623	
Qty.	1 ST	

Marker holder



The marker holder offer the possibility of additional mounting of standard markers with a pitch of 5 or 5.1 mm. The angled holders can be optionally snapped together and could be mounted in all standard marking channels of the Klippon® Connect modular terminal blocks. Fitting marker types could be found under the respective accessories of the designation marking holder.

General ordering data

Type	BZT 1 WS 10/5	Version
Order No.	1805490000	Accessories, Marker holder
GTIN (EAN)	4032248270231	
Qty.	100 ST	
Type	BZT 1 ZA WS 10/5	Version
Order No.	1805520000	Accessories, Marker holder
GTIN (EAN)	4032248270248	
Qty.	100 ST	