

**WPD 132 1X185/1X185 GY****Weidmüller Interface GmbH & Co. KG**

Klingenbergstraße 26

D-32758 Detmold

Germany

www.weidmueller.com

**Product image**

Klippon® Connect power feed-in terminal blocks WPD allow for an easy and safe installation of aluminium and copper conductors on a small footprint. A power supply or monitoring connection can also be used as an option. Customers can use the power feed-in terminal blocks WPD, regardless of the conductor material. They can be mounted either directly or on DIN rail TS35.

**General ordering data**

Version	Potential distributor terminal, Screw connection, Light Grey, 185 mm <sup>2</sup> , 353 A, 1000 V, Number of connections: 2, Number of levels: 1
Order No.	<a href="#">2502750000</a>
Type	WPD 132 1X185/1X185 GY
GTIN (EAN)	4050118516579
Qty.	1 items

## WPD 132 1X185/1X185 GY

Weidmüller Interface GmbH & Co. KG  
Klingenbergstraße 26  
D-32758 Detmold  
Germany

www.weidmueller.com

## Technical data

### Approvals

Approvals



ROHS Conform

### Dimensions and weights

Depth	73.5 mm	Depth (inches)	2.8937 inch
Height	105 mm	Height (inches)	4.1338 inch
Width	37.5 mm	Width (inches)	1.4764 inch
Net weight	204 g		

### Temperatures

Storage temperature	-25 °C...55 °C	Ambient temperature	-5 °C...40 °C
Continuous operating temp., min.	-50 °C	Continuous operating temp., max.	120 °C

### Environmental Product Compliance

RoHS Compliance Status	Compliant without exemption
REACH SVHC	No SVHC above 0.1 wt%

### Material data

Basic material	Wemid	Colour	Light Grey
UL 94 flammability rating	V-0		

### Rating data IECEX/ATEX

Certificate No. (ATEX)	CNEX18ATEX0016U	Certificate No. (IECEX)	IECEXNEX18.0010U
Max. voltage (ATEX)	1100 V	Current (ATEX)	353 A
Wire cross section max. (ATEX)	185 mm <sup>2</sup>	Max. voltage (IECEX)	1100 V
Current (IECEX)	353 A		

### System specifications

Version	Screw connection	End cover plate required	No
Number of potentials	1	Number of levels	1
Number of clamping points per level	2	Levels cross-connected internally	No
PE connection	No	Mounting rail	TS 35
PE function	No		

### Additional technical data

Installation advice	Terminal rail / mounting plate	Explosion-tested version	Yes
Type of mounting	Snap-on		

### Conductors for clamping (additional connection)

Connection type, additional connection Screw / solder connection

**WPD 132 1X185/1X185 GY**

**Weidmüller Interface GmbH & Co. KG**  
 Klingenbergstraße 26  
 D-32758 Detmold  
 Germany

www.weidmueller.com

**Technical data**

**Conductors for clamping (rated connection)**

Wire connection cross section AWG, max.	kcmil 300	Connection direction	on side
Type of connection 2	Screw connection	Type of connection	Screw connection
Number of connections	2	Clamping range, max.	185 mm <sup>2</sup>
Clamping range, min.	25 mm <sup>2</sup>	Wire connection cross section AWG, min.	AWG 16
Wire connection cross-section, finely stranded with wire-end ferrules DIN 46228/4, min.	25 mm <sup>2</sup>	Wire connection cross-section, finely stranded with wire-end ferrules DIN 46228/1, max.	150 mm <sup>2</sup>
Wire connection cross-section, finely stranded with wire-end ferrules DIN 46228/1, min.	25 mm <sup>2</sup>	Wire connection cross section, finely stranded, max.	185 mm <sup>2</sup>
Wire connection cross section, finely stranded, min.	25 mm <sup>2</sup>	Connection cross-section, stranded, max.	185 mm <sup>2</sup>
Connection cross-section, stranded, min.	25 mm <sup>2</sup>	Wire connection cross-section, solid core, max.	185 mm <sup>2</sup>
Wire connection cross-section, solid core, min.	25 mm <sup>2</sup>		

**General**

Number of poles	1	Wire connection cross section AWG, max.	kcmil 300
Installation advice	Terminal rail / mounting plate	Wire connection cross section AWG, min.	AWG 16
Standards	IEC 60947-7-1, UL 1059, CSA	Mounting rail	TS 35

**Rating data**

Rated cross-section	185 mm <sup>2</sup>	Rated voltage	1000 V
Rated AC voltage	1000 V	Rated DC voltage	1000 V
Nominal current	353 A	Current at maximum wires	353 A
Standards	IEC 60947-7-1, UL 1059, CSA	Volume resistance according to IEC 60947-7-x	0.09 mΩ
Rated impulse withstand voltage	8 kV	Power loss in accordance with IEC 60947-7-x	11.30 W
Short-time withstand current resistance	8/20μs with 50 kA	Surge voltage category	III
Pollution severity	3		

**Important note**

Product information	You will find additional information in the downloadsection of the onlinecatalogue
---------------------	--

**Classifications**

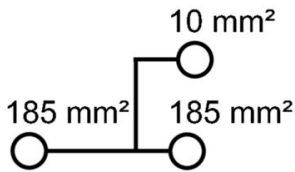
ETIM 8.0	EC000897	ETIM 9.0	EC000897
ETIM 10.0	EC000897	ECLASS 14.0	27-25-01-19
ECLASS 15.0	27-25-01-19		

WPD 132 1X185/1X185 GY

Weidmüller Interface GmbH & Co. KG  
 Klingenbergstraße 26  
 D-32758 Detmold  
 Germany

Drawings

www.weidmueller.com



**Conductor connection data according to IEC 60947-7-1 (Cu)**

Input (x1) / Output (x1)	Copper		Aluminum	
	□	□	□	□
185 mm <sup>2</sup>				
150 mm <sup>2</sup>				
120 mm <sup>2</sup>	25 Nm		30,9 Nm	30,9 Nm
95 mm <sup>2</sup>				
70 mm <sup>2</sup>				
50 mm <sup>2</sup>	20 Nm			
35 mm <sup>2</sup>				
25 mm <sup>2</sup>				
Flat band 10x15,5x0,8 mm			30,9 Nm	
max. current with 2 x 185 mm <sup>2</sup> (acc. to IEC)	708 A		284 A	
Stripping lengths	29 mm			
Allen screw	M18 (SW 18 mm)			

**Auxiliary connection**

	Copper	
	□	□
10 mm <sup>2</sup>		
6 mm <sup>2</sup>		
4 mm <sup>2</sup>	1,2 Nm	1,2 Nm
2,5 mm <sup>2</sup>		
1,5 mm <sup>2</sup>		
max. current	57 A	
Stripping lengths	10 mm	
screw	M4 (+PZ2)	

Stranded   
  Solid   
  Flexible with ferrule   
  Sector shaped   
  Flat band

**Conductor connection data according to UL 1059 (Al+Cu)**

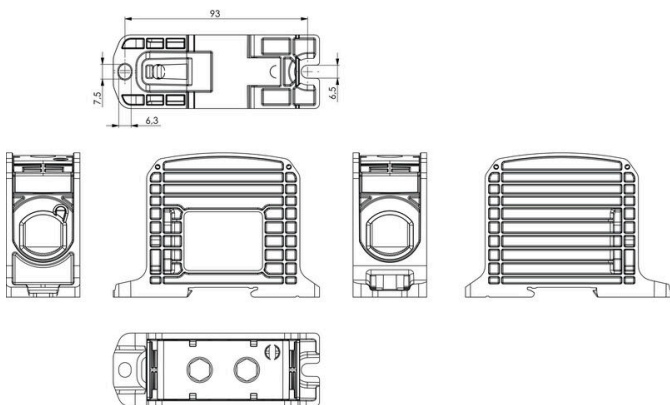
Input (x1) / Output (x1)	Copper		Aluminum	
	□	□	□	□
350 kcmil				
300 kcmil				
250 kcmil	250k In.	250k In.	398k In.	398k In.
AWG 3/0				
AWG 2/0				
AWG 1/0				
AWG 2	200k In.			
AWG 4				
max. current with 1 x 185 mm <sup>2</sup> (acc. to UL)	310 A		250 A	
Stripping lengths	29 mm			
Allen screw	M18 (SW 18 mm)			

**Auxiliary connection**

	Copper	
	□	□
AWG 8		
AWG 10		
AWG 12	20,3k In.	20,3k In.
AWG 14		
AWG 16		
max. current	57 A	
Stripping lengths	10 mm	
screw	M4 (+PZ2)	

Stranded   
  Solid   
  Flexible with ferrule   
  Sector shaped   
  Flat band



## WPD 132 1X185/1X185 GY

**Weidmüller Interface GmbH & Co. KG**  
Klingenbergstraße 26  
D-32758 Detmold  
Germany

[www.weidmueller.com](http://www.weidmueller.com)

## Accessories

### Cover



Our systems for touch protection ensure greater safety in your cabinet. They provide protection against electric shock caused by accidental contact with live parts due to operation or faults.

### General ordering data

Type	WPDPC X32 GY	Version	
Order No.	<a href="#">2503380000</a>	Version	Cover hood (terminal), Wemid
GTIN (EAN)	4050118533347		
Qty.	12 ST		

### Blank



The Dekafix (DEK) marker is the universal marker for all conductor and plug-in connectors as well as for electronic sub-assemblies. The system is ideal for short number sequences and covers a wide range of ready-printed markers.

Strips for fast installation in only one work step. The printing is easy to read, rich in contrast and available in various widths.

- Large range of ready-to-use markers
  - Strips for fast installation
  - Terminal markers, suitable for all Weidmüller cable connectors
  - Available as blank MultiCard or with standard printing
- For custom printing: Please send us a file of our labeling software M-Print PRO or M-Print PRO Online (without installation) for your labeling specifications.

### General ordering data

Type	DEK 5/5 MC NE WS	Version	
Order No.	<a href="#">1609801044</a>	Version	Dekafix, Terminal marker, 5 x 5 mm, Pitch in mm (P): 5.00
GTIN (EAN)	4008190397111		Weidmueller, white
Qty.	1000 ST		

### Socket wrench sets

Allen key made from fully hardened, high-alloy chromium-vanadium- steel, acc. to DIN ISO 2936 L (DIN 911), high-quality refined surface.



## WPD 132 1X185/1X185 GY

**Weidmüller Interface GmbH & Co. KG**  
 Klingenbergstraße 26  
 D-32758 Detmold  
 Germany

www.weidmueller.com

## Accessories

### General ordering data

Type	SK WSD-S 1,5-10,0	Version
Order No.	<a href="#">9008850000</a>	Mounting tool
GTIN (EAN)	4032248266609	
Qty.	1 ST	
Type	SKS 2,0-8,0 MR	Version
Order No.	<a href="#">9008870000</a>	socket wrenches
GTIN (EAN)	4032248266623	
Qty.	1 ST	

### Marker holder



The marker holder offer the possibility of additional mounting of standard markers with a pitch of 5 or 5.1 mm. The angled holders can be optionally snapped together and could be mounted in all standard marking channels of the Klippon® Connect modular terminal blocks. Fitting marker types could be found under the respective accessories of the designation marking holder.

### General ordering data

Type	BZT 1 WS 10/5	Version
Order No.	<a href="#">1805490000</a>	Accessories, Marker holder
GTIN (EAN)	4032248270231	
Qty.	100 ST	
Type	BZT 1 ZA WS 10/5	Version
Order No.	<a href="#">1805520000</a>	Accessories, Marker holder
GTIN (EAN)	4032248270248	
Qty.	100 ST	