

ACT20P-UI-2RCO-AC-P

Weidmüller Interface GmbH & Co. KG
 Klingenbergstraße 26
 D-32758 Detmold
 Germany

www.weidmueller.com

Product image



ACT20P: The flexible solution

- Precise and highly functional signal converters
- Release levers simplify handling

General ordering data

| | |
|------------|--|
| Version | Limit value monitoring, Input : universal U, I, R, S, Output : 2 x relays, 90...264 V AC power supply |
| Order No. | 2495690000 |
| Type | ACT20P-UI-2RCO-AC-P |
| GTIN (EAN) | 4050118505979 |
| Qty. | 1 items |

ACT20P-UI-2RCO-AC-P

Weidmüller Interface GmbH & Co. KG

Klingenbergstraße 26

D-32758 Detmold

Germany

www.weidmueller.com

Technical data

Approvals

Approvals



ROHS Conform

UL File Number Search [UL Website](#)

Certificate no. (cULusEX) E338066

Dimensions and weights

| | | | |
|------------|----------|-----------------|-------------|
| Depth | 113.6 mm | Depth (inches) | 4.4724 inch |
| Height | 127.1 mm | Height (inches) | 5.0039 inch |
| Width | 22.5 mm | Width (inches) | 0.8858 inch |
| Net weight | 173 g | | |

Temperatures

| | | | |
|-----------------------------------|----------------------------|-----------------------|----------------|
| Storage temperature | | Operating temperature | -20 °C...60 °C |
| Humidity at operating temperature | 0...95 % (no condensation) | | |

Probability of failure

| | | | |
|----------------------------------|------|------|-------|
| SIL in compliance with IEC 61508 | None | MTBF | 180 a |
|----------------------------------|------|------|-------|

Environmental Product Compliance

| | |
|--------------------------------------|--------------------------------------|
| RoHS Compliance Status | Compliant with exemption |
| RoHS Exemption (if applicable/known) | 7a, 7cl |
| REACH SVHC | Lead 7439-92-1 |
| SCIP | 2f6dd957-421a-46db-a0c2-cf1609156924 |

Input

| | | | |
|---------------------------|---|--|---|
| Sensor | Thermocouples: B, E, J, K, L, N, R, S, T, U, RTD: PT100, PT200, PT1000, Ni120, Cu10, 2-/3-/4-wire | Number inputs | 1 |
| Potentiometer | 1.2...500 kΩ | Sensor supply | 0.1 mA / 0.05 mA (depending on measuring range) @ RTD cable, 24 V (@ 4-20 mA loop) |
| Input voltage | configurable, ±150 mV DC, ±600mV DC, ±30 V DC, ±300 V DC | Temperature input range | B: +100...+1820 °C, E: -270...+1000 °C, J: (-210...+1200 °C), K: -270...+1372 °C, L: +100...+900 °C, N: (-180...+1300 °C), R: -50...+1768 °C, S: -50...+1768 °C, T: -270...+400 °C, U: -200...+600 °C |
| Resistance | 0...10 kΩ, 0...12 kΩ, 0...15 kΩ | Input current | configurable, ±25 mA DC, ±5 A DC |
| Input resistance, voltage | 2 MΩ, > 10 MΩ | Input resistance, current | 40 Ω |
| Cable-length compensation | <±0.002 Ω per cable resistance Ω | Influence of the sensor cable resistance | 5 Ω @ RTD- Kabel |

ACT20P-UI-2RCO-AC-P

Weidmüller Interface GmbH & Co. KG

Klingenbergstraße 26
D-32758 Detmold
Germany

www.weidmueller.com

Technical data

Output

Number of outputs 2

Output (digital)

| | | | |
|----------------------------|---|----------------------------|--|
| Rated switching current | 200mA @ 110Vdc, 6A @ 24Vdc / 240Vac | Number of digital outputs | 2 |
| Max. switching voltage, AC | 250 V | Max. switching voltage, DC | 110 V |
| Type | 2 CO contacts, normal / inverse adjustment, Switching frequency 20 Hz | Alarm function | configurable, Top and bottom limit values, window range, Alarm delay: 0...99 s, Hysteresis adjustable, auto / manual reset |

General data

| | | | |
|---------------------------|------------------|-------------------------|---|
| Protection degree | IP20 | Supply voltage | 90...264 V AC |
| Long-term drift | 0.1 % / 10.000 h | Mounting rail | TS 35 |
| Power consumption | <2 W | Temperature coefficient | <0.02 °C of measuring range / °C, 350 ppm/K |
| Nominal power consumption | 1.5 VA | Configuration | With FDT/DTM software, or via 7-segment display, push-buttons and rotary encoder on the device itself, Requires configuration adapter 8978580000 CBX200 USB |
| Operating altitude | ≤ 2000 m | | |

Insulation coordination

| | | | |
|---------------|------------|--------------------|---|
| EMC standards | EN 61326-1 | Galvanic isolation | between input / output / supply / relay |
|---------------|------------|--------------------|---|

Connection data

| | | | |
|---|---------------------|---|---------------------|
| Type of connection | PUSH IN | Tightening torque, min. | 0.4 Nm |
| Tightening torque, max. | 0.6 Nm | Clamping range, rated connection | 2.5 mm ² |
| Clamping range, min. | 0.5 mm ² | Clamping range, max. | 2.5 mm ² |
| Wire connection cross section AWG, min. | AWG 26 | Wire connection cross section AWG, max. | AWG 14 |
| Wire cross-section, solid, min. | 0.2 mm ² | Wire cross-section, solid, max. | 2.5 mm ² |
| Wire connection cross section, finely stranded, min. | 0.2 mm ² | Wire connection cross section, finely stranded, max. | 2.5 mm ² |
| Wire connection cross-section, finely stranded with wire-end ferrules DIN 46228/4, min. | 0.2 mm ² | Wire connection cross-section, finely stranded with wire-end ferrules DIN 46228/4, max. | 2.5 mm ² |

Part description

| | |
|---------------------|---|
| Product description | <p>The devices of the ACT20P-UI-2RCO-XX-x family record current, voltage, potentiometer and temperature sensor signals (mA, A, mV, V, potentiometer, RTD and TC). They have two independent relay outputs which emit an alarm when levels exceed or fall below pre-set limits.</p> <p>Properties</p> <ul style="list-style-type: none"> • Configuration and diagnosis with the FDT/DTM software "WI-Manager". • Manual configuration on the device is performed via the LED display by means of operating buttons and rotary encoders. • The dual-channel trip amplifier enables various alarm functions: window alarm, alarm delay, wire break detection, hysteresis and upper / lower limit alarm. |
|---------------------|---|

ACT20P-UI-2RCO-AC-P

Weidmüller Interface GmbH & Co. KG
Klingenbergstraße 26
D-32758 Detmold
Germany

www.weidmueller.com

Technical data

- The active or passive signal inputs for RTD, TC, potentiometer, voltage and current are fully galvanically isolated.
- Remote diagnosis: reporting of errors (e.g. cable breaks) via status relay.
- Operational status and relay status indicated by front panel LEDs.
- Galvanic 4-way isolation between input, output and supply.

Classifications

| | | | |
|-------------|-------------|-------------|-------------|
| ETIM 8.0 | EC002654 | ETIM 9.0 | EC002654 |
| ETIM 10.0 | EC002654 | ECLASS 14.0 | 27-21-01-22 |
| ECLASS 15.0 | 27-21-01-22 | | |

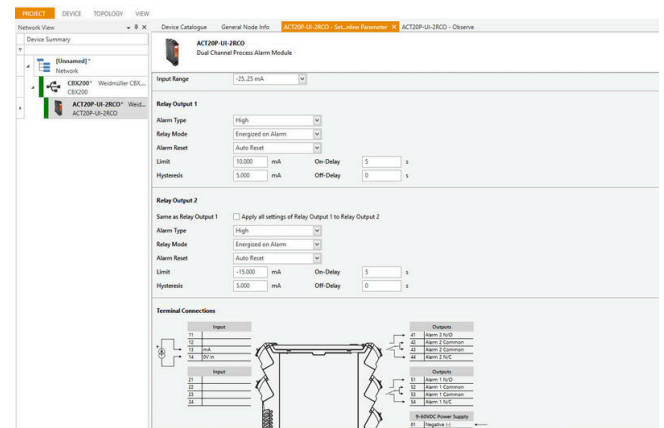
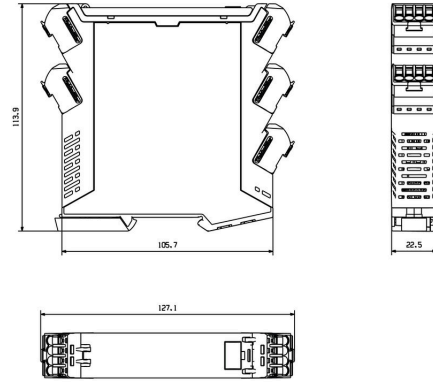
ACT20P-UI-2RCO-AC-P

Weidmüller Interface GmbH & Co. KG
 Klingenbergstraße 26
 D-32758 Detmold
 Germany

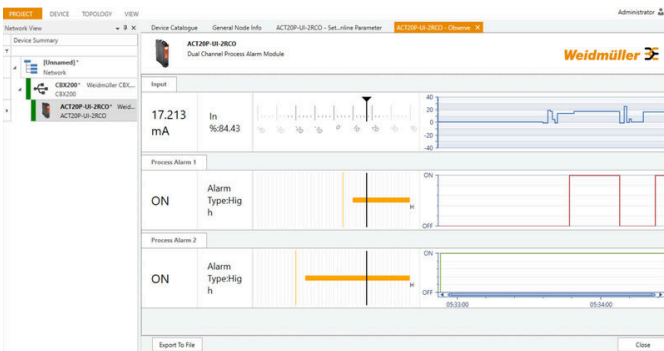
Drawings

www.weidmueller.com

Dimensioned drawing

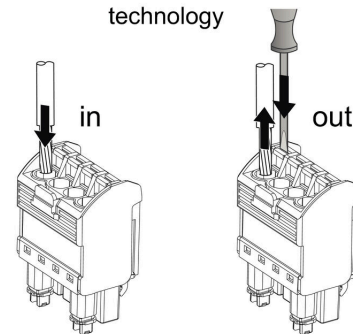


screenshot of configuration with FDT2 / DTM software



screenshot of configuration with FDT2 / DTM software

PUSH IN technology



ACT20P-UI-2RCO-AC-P

Weidmüller Interface GmbH & Co. KG
 Klingenbergstraße 26
 D-32758 Detmold
 Germany

Drawings

www.weidmueller.com



ACT20P-UI-2RCO-AC-P

Weidmüller Interface GmbH & Co. KG
 Klingenbergstraße 26
 D-32758 Detmold
 Germany

www.weidmueller.com

Accessories

Blank



ESG is the tried-and-tested marker in MultiCard format for use on many well-known electrical devices. The result is high-quality device marking with a high-contrast appearance.

Various types are available for devices from manufacturers like Siemens, ABB, Beckhoff etc.

Advantages at a glance:

- Tags for universal usage, self-adhesive or clip-on tags, depending on type
- For aligned equipment, e.g. circuit breakers, we supply ESG markers for clipping onto tag rails
- Individual laser-quality printing according to specifications

For custom printing: Please send us a file of our labeling software M-Print PRO or M-Print PRO Online (without installation) for your labeling specifications.

General ordering data

| | | | |
|------------|----------------------------|--|--|
| Type | ESG 6.6/20 BHZ 5.00/04 | Version | |
| Order No. | 1082540000 | ESG, Device markers x 20 mm, PA 66, Colour: white, pluggable | |
| GTIN (EAN) | 4032248845439 | | |
| Qty. | 200 ST | | |
| Type | ESG 8/13.5/43.3 SAI AU | Version | |
| Order No. | 1912130000 | ESG, Device markers x 13.5 mm, PA 66, Colour: Transparent, pluggable | |
| GTIN (EAN) | 4032248541164 | | |
| Qty. | 5 ST | | |

Configuration interfaces



General ordering data

| | | | |
|------------|----------------------------|---------|--|
| Type | CBX200 USB | Version | |
| Order No. | 8978580000 | | |
| GTIN (EAN) | 4032248813759 | | |
| Qty. | 1 ST | | |