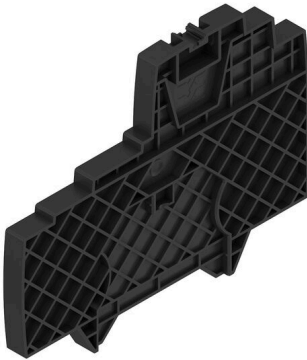


AMG EP 2010**Weidmüller Interface GmbH & Co. KG**Klingenbergstraße 26
D-32758 Detmold
Germany

www.weidmueller.com



Efficient machine and facility operation calls for fail-safe and maintenance-friendly control voltage distribution that can be installed in a time and space-saving manner.

With the new maxGUARD system, the terminal blocks (previously installed separately) for distributing potential to the outputs of the electronic load monitors become an integral part of a 24 V DC control voltage distribution system.

The innovative combination of load monitoring and potential distribution saves time during installation, increases safety against failure and reduces the amount of space required on the terminal rail by 50%.

General ordering data

Version	Fastening element
Order No.	2495380000
Type	AMG EP 2010
GTIN (EAN)	4050118505306
Qty.	30 items

Technical data

Approvals

Approvals



ROHS Conform

Dimensions and weights

Depth	96.5 mm	Depth (inches)	3.7992 inch
Height	125 mm	Height (inches)	4.9212 inch
Width	8 mm	Width (inches)	0.315 inch
Net weight	32.6 g		

Temperatures

Storage temperature	-40 °C...85 °C	Operating temperature	-25 °C...70 °C
---------------------	----------------	-----------------------	----------------

Environmental Product Compliance

RoHS Compliance Status	Compliant without exemption
REACH SVHC	No SVHC above 0.1 wt%

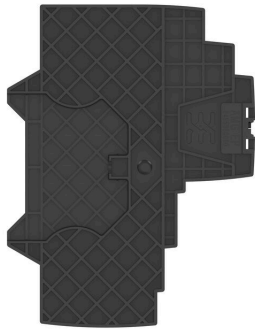
General data

Protection degree	IP20	Conformal coating	Yes
-------------------	------	-------------------	-----

Classifications

ETIM 8.0	EC000886	ETIM 9.0	EC000886
ETIM 10.0	EC000886	ECLASS 14.0	27-25-03-01
ECLASS 15.0	27-25-03-01		

Drawings



Accessories

End bracket



Weidmüller's range of products includes end brackets that guarantee a permanent, reliable mounting on the terminal rail and prevent sliding. Versions with and without screws are available. The end brackets include marking options, also for group markers, and also a test plug holder.

General ordering data

Type	WEW 35/1 V0 GF SW	Version	
Order No.	1478990000	End bracket, black, TS 35, V-0, Wemid, Width: 12 mm, 130 °C	
GTIN (EAN)	4050118286892		
Qty.	50 ST		