

ACT20P-CI-2CO-P

Weidmüller Interface GmbH & Co. KG
Klingenbergstraße 26
D-32758 Detmold
Germany

www.weidmueller.com

**ACT20P: The flexible solution**

- Precise and highly functional signal converters
- Release levers simplify handling

General ordering data

Version	Analogue isolating amplifier, Input : 0(4)-20 mA, Output : 2 x 0(4) - 20 mA, Signal distributor, HART®
Order No.	2489710000
Type	ACT20P-CI-2CO-P
GTIN (EAN)	4050118535167
Qty.	1 items

ACT20P-CI-2CO-P

Weidmüller Interface GmbH & Co. KG
 Klingenbergstraße 26
 D-32758 Detmold
 Germany

www.weidmueller.com

Technical data

Approvals

Approvals	CE; CULUS; CULUSEX; DEMKOATEX; IECEXULD; UKEX
Approvals	CULUS;
Approvals	



ROHS	Conform
UL File Number Search	UL Website
Certificate no. (cULus)	E469563
Certificate no. (cULusEX)	E338066

Dimensions and weights

Depth	113.7 mm	Depth (inches)	4.4764 inch
Height	127.1 mm	Height (inches)	5.0039 inch
Width	12.5 mm	Width (inches)	0.4921 inch
Net weight	125 g		

Temperatures

Storage temperature	-40 °C...85 °C	Operating temperature	-20 °C...60 °C
Humidity at operating temperature	0...95 % (no condensation)	Humidity	5...95 %, no condensation

Probability of failure

SIL in compliance with IEC 61508	None
----------------------------------	------

Environmental Product Compliance

RoHS Compliance Status	Compliant with exemption
RoHS Exemption (if applicable/known)	7a, 7cl
REACH SVHC	Lead 7439-92-1
SCIP	2f6dd957-421a-46db-a0c2-cf1609156924

Input

Sensor	2-wire transmitter (without own power supply), 3-wire sensor, 4-wire sensor (with own power supply)	Number inputs	1
Sensor supply	> 17 V DC at 20 mA	Input signal	HART signal® bidirectional
Input current	0...20 mA, 4...20mA	Voltage drop	ca. 3.8 V @ RLoad = 0 Ω; ca. 15 V @ RLoad = 600 Ω; (Iinput = 20 mA)

Output

Number of outputs	2	Load impedance current	<300 Ω
Type	active, connected control must be passive	Output current	0...20 mA (if input: 0...20 mA), 4...20 mA (if input: 4...20 mA), HART® digital signal

ACT20P-CI-2CO-P

Weidmüller Interface GmbH & Co. KG

Klingenbergstraße 26
D-32758 Detmold
Germany

www.weidmueller.com

Technical data

General data

Accuracy	<0.1 % of end value	Protection degree	IP20
Supply voltage	20...30 V DC	Step response time	≤ 0,5 ms
Current consumption	≤60 mA (24V power supply, 20mA output)	Mounting rail	TS 35
Temperature coefficient	80 ppm/K	Type of signal forwarding according to HART®	unchanged
Nominal power consumption	2 VA	Configuration	none
Operating altitude	≤ 2000 m		

Insulation coordination

Impulse withstand voltage	4 kV (1.2/50 µs)	EMC standards	EN 61326-1, EN 61000-6-2, EN 61000-6-4
Test voltage	0.3 kV	Surge voltage category	III
Pollution severity	2	Galvanic isolation	3-way isolator, between input/output/supply
Insulation voltage input or output/supply	2 kV inputs / outputs / power supply	Insulation voltage	2 kV inputs / outputs / power supply

Data for Ex applications (ATEX)

Marking	II 3 G Ex ec IIC T5 Gc
---------	------------------------

Connection data

Type of connection	PUSH IN	Tightening torque, min.	0.4 Nm
Tightening torque, max.	0.6 Nm	Clamping range, rated connection	2.5 mm ²
Clamping range, min.	0.5 mm ²	Clamping range, max.	2.5 mm ²
Wire connection cross section AWG, min.	AWG 26	Wire connection cross section AWG, max.	AWG 14
Wire cross-section, solid, min.	0.2 mm ²	Wire cross-section, solid, max.	2.5 mm ²
Wire connection cross section, finely stranded, min.	0.2 mm ²	Wire connection cross section, finely stranded, max.	2.5 mm ²
Wire connection cross-section, finely stranded with wire-end ferrules DIN 46228/4, min.	0.2 mm ²	Wire connection cross-section, finely stranded with wire-end ferrules DIN 46228/4, max.	2.5 mm ²

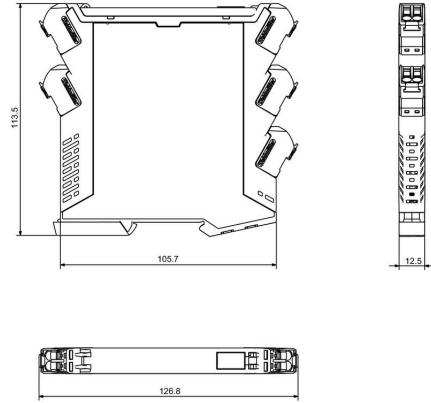
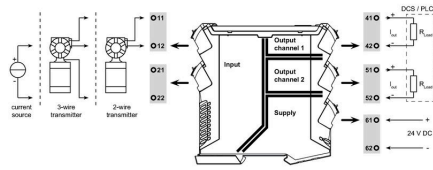
Part description

Product description	The non-adjustable DC isolating amplifier ACT20P-CI-2CO isolates analogue standard current signals from a power source or from a 2- or 3-wire sensor. An analogue input current signal is converted linearly and doubled to provide two galvanically isolated output current signals. The power supply is galvanically isolated from the input and output (4-way isolation). Properties <ul style="list-style-type: none"> • HART-compatible for 0.5 - 2.5 kHz • The active or passive mA signal inputs are fully galvanically isolated. • Operating status display on a front panel LED • Galvanic 4-way isolation between input, output and supply.
---------------------	--

Classifications

ETIM 8.0	EC002653	ETIM 9.0	EC002653
ETIM 10.0	EC002653	ECLASS 14.0	27-21-01-20
ECLASS 15.0	27-21-01-20		

Dimensioned drawing



Similar to illustration



PUSH IN
 technology



ACT20P-CI-2CO-P

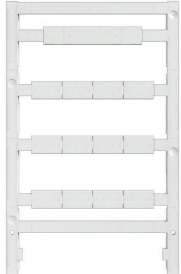
Weidmüller Interface GmbH & Co. KG

Klingenbergstraße 26
D-32758 Detmold
Germany

www.weidmueller.com

Accessories

Blank



ESG is the tried-and-tested marker in MultiCard format for use on many well-known electrical devices. The result is high-quality device marking with a high-contrast appearance.

Various types are available for devices from manufacturers like Siemens, ABB, Beckhoff etc.

Advantages at a glance:

- Tags for universal usage, self-adhesive or clip-on tags, depending on type
- For aligned equipment, e.g. circuit breakers, we supply ESG markers for clipping onto tag rails
- Individual laser-quality printing according to specifications

For custom printing: Please send us a file of our labeling software M-Print PRO or M-Print PRO Online (without installation) for your labeling specifications.

General ordering data

Type	ESG 8/13.5/43.3 SAI AU	Version	
Order No.	1912130000	ESG, Device markers x 13.5 mm, PA 66, Colour: Transparent, pluggable	
GTIN (EAN)	4032248541164		
Qty.	5 ST		
Type	ESG 6.6/11 BHZ 5.00/02	Version	
Order No.	1082490000	ESG, Device markers x 11 mm, PA 66, Colour: white, pluggable	
GTIN (EAN)	4032248845330		
Qty.	200 ST		