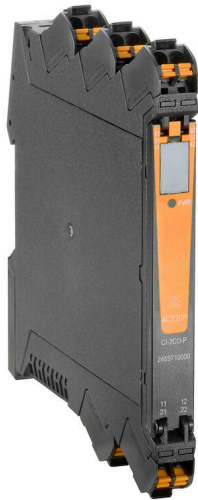


## ACT20P-CI-2CO-P

**Weidmüller Interface GmbH & Co. KG**  
Klingenbergstraße 26  
D-32758 Detmold  
Germany

[www.weidmueller.com](http://www.weidmueller.com)



### ACT20P: The flexible solution

- Precise and highly functional signal converters
- Release levers simplify handling

### General ordering data

Version	Analogue isolating amplifier, Input : 0(4)-20 mA, Output : 2 x 0(4) - 20 mA, Signal distributor, HART®
Order No.	<a href="#">2489710000</a>
Type	ACT20P-CI-2CO-P
GTIN (EAN)	4050118535167
Qty.	1 items

## ACT20P-CI-2CO-P

**Weidmüller Interface GmbH & Co. KG**  
 Klingenbergstraße 26  
 D-32758 Detmold  
 Germany

www.weidmueller.com

## Technical data

## Approvals

Approvals CE; CULUS; CULUSEX; DEMKOATEX; IECEXULD; UKEX

Approvals CULUS;

Approvals



ROHS Conform

UL File Number Search [UL Website](#)

Certificate no. (cULus) E469563

Certificate no. (cULusEX) E338066

## Dimensions and weights

Depth	113.7 mm	Depth (inches)	4.4764 inch
Height	127.1 mm	Height (inches)	5.0039 inch
Width	12.5 mm	Width (inches)	0.4921 inch
Net weight	125 g		

## Temperatures

Storage temperature	-40 °C...85 °C	Operating temperature	-20 °C...60 °C
Humidity at operating temperature	0...95 % (no condensation)	Humidity	5...95 %, no condensation

## Probability of failure

SIL in compliance with IEC 61508 None

## Environmental Product Compliance

RoHS Compliance Status	Compliant with exemption
RoHS Exemption (if applicable/known)	7a, 7cl
REACH SVHC	Lead 7439-92-1
SCIP	2f6dd957-421a-46db-a0c2-cf1609156924

## Input

Sensor	2-wire transmitter (without own power supply), 3-wire sensor, 4-wire sensor (with own power supply)	Number inputs	1
Sensor supply	> 17 V DC at 20 mA	Input signal	HART signal® bidirectional
Input current	0...20 mA, 4...20mA	Voltage drop	ca. 3.8 V @ RLoad = 0 Ω; ca. 15 V @ RLoad = 600 Ω; (Iinput = 20 mA)

## Output

Number of outputs	2	Load impedance current	<300 Ω
Type	active, connected control must be passive	Output current	0...20 mA (if input: 0...20 mA), 4...20 mA (if input: 4...20 mA), HART® digital signal

## ACT20P-CI-2CO-P

Weidmüller Interface GmbH &amp; Co. KG

Klingenbergstraße 26

D-32758 Detmold

Germany

www.weidmueller.com

## Technical data

## General data

Accuracy	<0.1 % of end value	Protection degree	IP20
Supply voltage	20...30 V DC	Step response time	≤ 0,5 ms
Current consumption	≤60 mA (24V power supply, 20mA output)	Mounting rail	TS 35
Temperature coefficient	80 ppm/K	Type of signal forwarding according to HART®	unchanged
Nominal power consumption	2 VA	Configuration	none
Operating altitude	≤ 2000 m		

## Insulation coordination

Impulse withstand voltage	4 kV (1.2/50 µs)	EMC standards	EN 61326-1, EN 61000-6-2, EN 61000-6-4
Test voltage	0.3 kV	Surge voltage category	III
Pollution severity	2	Galvanic isolation	3-way isolator, between input/output/supply
Insulation voltage input or output/supply	2 kV inputs / outputs / power supply	Insulation voltage	2 kV inputs / outputs / power supply

## Data for Ex applications (ATEX)

Marking	II 3 G Ex ec IIC T5 Gc
---------	------------------------

## Connection data

Type of connection	PUSH IN	Tightening torque, min.	0.4 Nm
Tightening torque, max.	0.6 Nm	Clamping range, rated connection	2.5 mm <sup>2</sup>
Clamping range, min.	0.5 mm <sup>2</sup>	Clamping range, max.	2.5 mm <sup>2</sup>
Wire connection cross section AWG, min.	AWG 26	Wire connection cross section AWG, max.	AWG 14
Wire cross-section, solid, min.	0.2 mm <sup>2</sup>	Wire cross-section, solid, max.	2.5 mm <sup>2</sup>
Wire connection cross section, finely stranded, min.	0.2 mm <sup>2</sup>	Wire connection cross section, finely stranded, max.	2.5 mm <sup>2</sup>
Wire connection cross-section, finely stranded with wire-end ferrules DIN 46228/4, min.	0.2 mm <sup>2</sup>	Wire connection cross-section, finely stranded with wire-end ferrules DIN 46228/4, max.	2.5 mm <sup>2</sup>

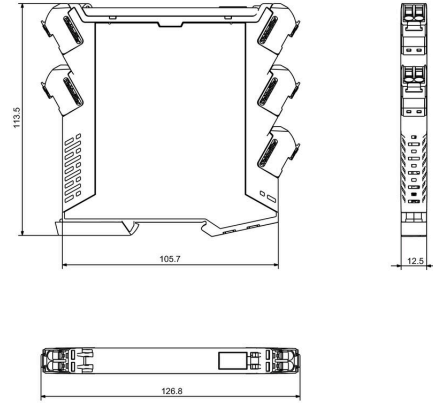
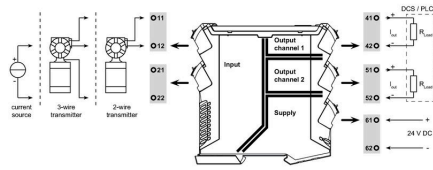
## Part description

Product description	<p>The non-adjustable DC isolating amplifier ACT20P-CI-2CO isolates analogue standard current signals from a power source or from a 2- or 3-wire sensor. An analogue input current signal is converted linearly and doubled to provide two galvanically isolated output current signals. The power supply is galvanically isolated from the input and output (4-way isolation).</p> <p>Properties</p> <ul style="list-style-type: none"> <li>• HART-compatible for 0.5 - 2.5 kHz</li> <li>• The active or passive mA signal inputs are fully galvanically isolated.</li> <li>• Operating status display on a front panel LED</li> <li>• Galvanic 4-way isolation between input, output and supply.</li> </ul>
---------------------	---

## Classifications

ETIM 8.0	EC002653	ETIM 9.0	EC002653
ETIM 10.0	EC002653	ECLASS 14.0	27-21-01-20
ECLASS 15.0	27-21-01-20		

**Dimensioned drawing**



**Similar to illustration**



**PUSH IN**  
 technology

