

SAI-WDF 4P M12 K 230

Weidmüller Interface GmbH & Co. KG
Klingenbergstraße 26
D-32758 Detmold
Germany

www.weidmueller.com

Similar to illustration



General ordering data

Order No.	2485360000
Type	SAI-WDF 4P M12 K 230
GTIN (EAN)	4050118496048
Qty.	1 items

SAI-WDF 4P M12 K 230

Weidmüller Interface GmbH & Co. KG
 Klingenbergstraße 26
 D-32758 Detmold
 Germany

www.weidmueller.com

Technical data

Approvals

Approvals



ROHS Conform

Dimensions and weights

Net weight 20.5 g

Environmental Product Compliance

RoHS Compliance Status Compliant with exemption
 RoHS Exemption (if applicable/known) 6c
 REACH SVHC Lead 7439-92-1
 SCIP 22cbd99b-5f46-4c36-9938-bd61e241a9ab

Technical data customisable plug-in connectors

Number of poles	4	Coding	A-coded
Contact surface	Gold-plated	Type of connection	Screw connection
Housing main material	CuZn	Contact material	CuZn
Nominal voltage	230 V	Nominal current	4 A
Protection degree	IP67	Temperature range of housing	-40 ... +85 ° C

General technical specifications

Number of poles	4	Coding	A-coded
Connection thread	M12 socket, M12 plug	Contact surface	Gold-plated
Type of connection	Screw connection	Housing main material	CuZn
Contact material	CuZn	Nominal voltage	230 V
Nominal current	4 A	Protection degree	IP67
Temperature range of housing	-40 ... +85 ° C		

Classifications

ETIM 8.0	EC002925	ETIM 9.0	EC002925
ETIM 10.0	EC002925	ECLASS 14.0	27-44-01-06
ECLASS 15.0	27-44-01-06		

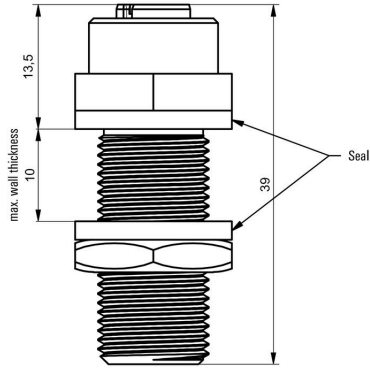
SAI-WDF 4P M12 K 230

Weidmüller Interface GmbH & Co. KG
Klingenbergstraße 26
D-32758 Detmold
Germany

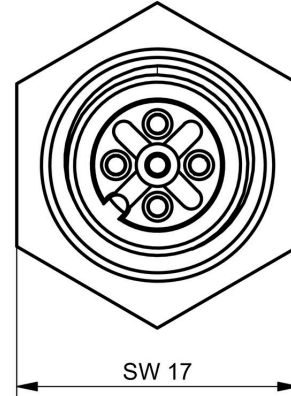
www.weidmueller.com

Drawings

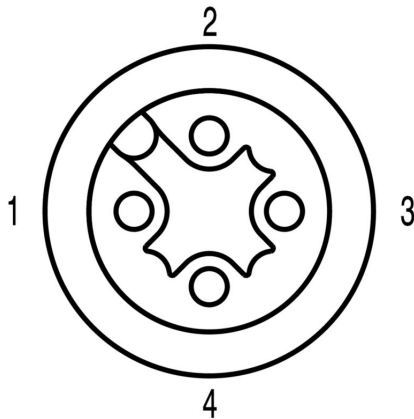
Dimensioned drawing



Dimensioned drawing



Pole scheme



Pole scheme

