

SAIE-M12S-CD-2.0A HW**Weidmüller Interface GmbH & Co. KG**

Klingenbergstraße 26

D-32758 Detmold

Germany

www.weidmueller.com



Various build-in connectors are required for the connections on the device side of the sensor/actuator cabling. These are available in the versions M12, M8 and M5.

General ordering data

Version	Built-in plugs, M12, pin, straight, PG 9, Number of poles: 5, 2 m
Order No.	2484420200
Type	SAIE-M12S-CD-2.0A HW
GTIN (EAN)	4050118495935
Qty.	1 items

SAIE-M12S-CD-2.0A HW

Weidmüller Interface GmbH & Co. KG
 Klingenbergstraße 26
 D-32758 Detmold
 Germany

www.weidmueller.com

Technical data

Approvals

ROHS	Conform
------	---------

Dimensions and weights

Net weight	120 g
------------	-------

Environmental Product Compliance

RoHS Compliance Status	Compliant with exemption
RoHS Exemption (if applicable/known)	6c
REACH SVHC	Lead 7439-92-1
SCIP	ebf89fc8-a87f-4691-b87a-dfb9921774b4

Technical specifications for cable

Cable length	2 m	Sheathing colour	violet
PE function	No	Cable Material	PUR halogen-free
Acceleration	5 m/s ²	Bending radius, min., moving	10 x cable diameter
Bending radius, min., stationary	5 x cable diameter	Bending cycles	1 mill.
Wire cross section (Print/Online)	PUR 0.25 mm ² / PVC 0.34 mm ²	Speed	5 m/s
Sheath material	PUR halogen-free	Outer cladding in accordance with UL AWM style	20236 (80 °C / 30 V)
Welding spark resistance	No	Colour coding	red, black, white, blue
Number of poles	5		

Technical data customisable plug-in connectors

Number of poles	5	Coding	A-coded
Contact surface	Gold-plated	Cable diameter, max.	7.5 mm
Cable diameter, min.	6.9 mm	Nominal voltage	125 V
Nominal current	4 A	Protection degree	IP68
Pollution severity	3	Cable gland	PG 9
Shield connection	Yes	Temperature range of housing	-5 ... +70 °C

Classifications

ETIM 8.0	EC003570	ETIM 9.0	EC003570
ETIM 10.0	EC003570	ECLASS 14.0	27-44-01-03
ECLASS 15.0	27-44-01-03		

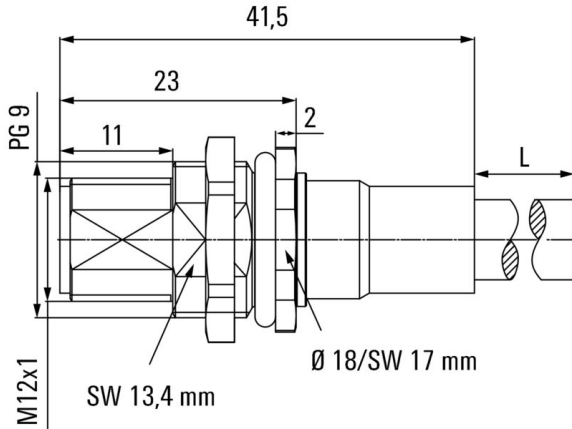
SAIE-M12S-CD-2.0A HW

Weidmüller Interface GmbH & Co. KG
 Klingenbergstraße 26
 D-32758 Detmold
 Germany

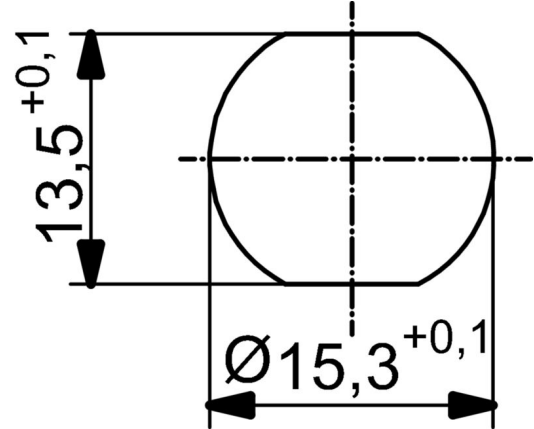
www.weidmueller.com

Drawings

Dimensioned drawing



Detailed drawing



Wiring diagram

