

FP ESWB LANDING SET

Weidmüller Interface GmbH & Co. KG
Klingenbergstraße 26
D-32758 Detmold
Germany

www.weidmueller.com



The combination of FieldPower® Elevator and flat cable allows to integrate different functionalities per hoistway landing into one solution: safety chain, bus communication and power distribution. No special tool is required for a quick and easy installation.

General ordering data

Version	Wiring box for elevator shaft
Order No.	2483990000
Type	FP ESWB LANDING SET
GTIN (EAN)	4050118494358
Qty.	1 items
Packaging	Box
Delivery status	This article will no longer be available in the future.
Available until	2026-02-15T00:00:00+01:00

FP ESWB LANDING SET

Weidmüller Interface GmbH & Co. KG
 Klingenbergstraße 26
 D-32758 Detmold
 Germany

www.weidmueller.com

Technical data

Approvals

ROHS Conform

Dimensions and weights

Depth	64.5 mm	Depth (inches)	2.5394 inch
Height	122 mm	Height (inches)	4.8031 inch
Width	96 mm	Width (inches)	3.7795 inch
Net weight	261.28 g		

Temperatures

Storage temperature -5 °C...50 °C Operating temperature -5 °C...50 °C

Environmental Product Compliance

RoHS Compliance Status	Compliant without exemption
REACH SVHC	Potassium perfluorobutane sulfonate 29420-49-3
SCIP	5f19cd84-8946-4797-9386-3ac323b95c10

Important note

Product information The elevator shaft wiring box can be used with approved flat cable from manufacturer Draka EHC.

Classifications

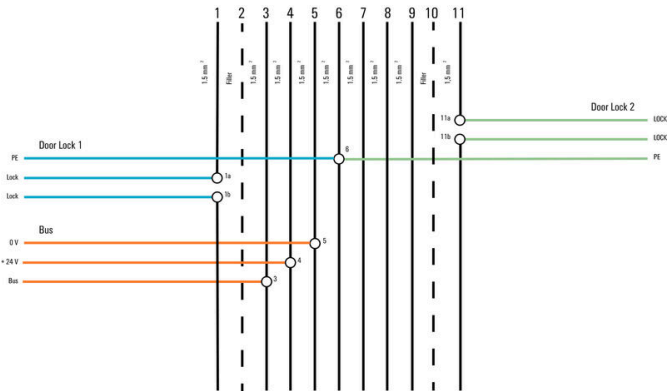
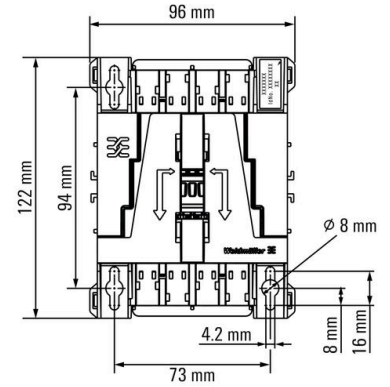
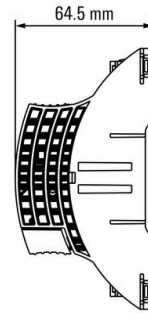
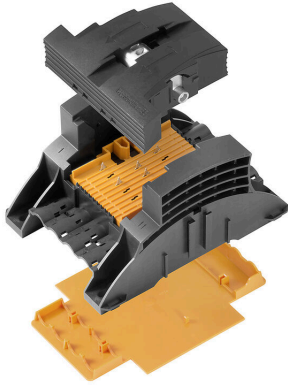
ETIM 8.0	EC000214	ETIM 9.0	EC000214
ETIM 10.0	EC000214	ECLASS 14.0	27-14-24-09
ECLASS 15.0	27-14-24-09		

FP ESWB LANDING SET

Weidmüller Interface GmbH & Co. KG
 Klingenbergstraße 26
 D-32758 Detmold
 Germany

Drawings

www.weidmueller.com



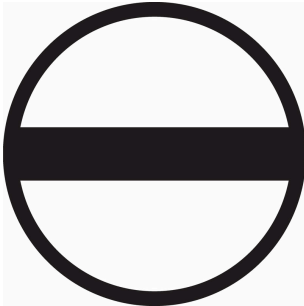
FP ESWB LANDING SET

Weidmüller Interface GmbH & Co. KG
 Klingenbergstraße 26
 D-32758 Detmold
 Germany

www.weidmueller.com

Accessories

Slotted screwdriver



VDE insulated slot-head screwdriver, SDI DIN 7437, ISO 2380/2, drive output acc. to DIN 5264, ISO 2380/1. SoftFinish grip

General ordering data

Type	SDIS 0.4X2.5X75	Version	
Order No.	9008370000	Screwdriver, Screwdriver	
GTIN (EAN)	4032248056330		
Qty.	1 ST		
Type	SDS 1.2X6.5X150	Version	
Order No.	9009010000	Screwdriver, Screwdriver	
GTIN (EAN)	4032248266869		
Qty.	1 ST		

VDE-insulated diagonal-cutting pliers



When working with live voltages, you must follow special guidelines and use special tools - tools which have been specially produced and tested for this purpose. Weidmüller offers a complete line of pliers which comply with national and international testing standards. All pliers are produced and tested according to DIN EN 60900.

The pliers are ergonomically designed to fit to the hand form, and thus feature an improved hand position. The fingers are not pressed together - this results in less fatigue during operation.

General ordering data

Type	KSE 160	Version	
Order No.	9046410000	Diagonal-cutting pliers	
GTIN (EAN)	4032248357734		
Qty.	1 ST		