

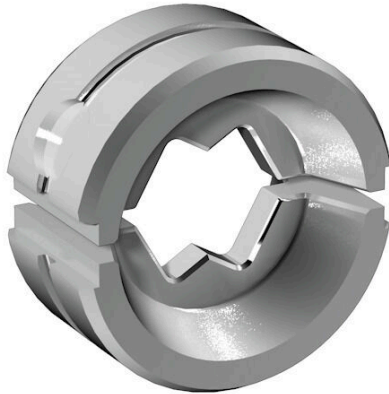
ES EPG/HPG 60 WM 6
Weidmüller Interface GmbH & Co. KG

Klingenbergstraße 26

D-32758 Detmold

Germany

www.weidmueller.com

Similar to illustration


Crimping tools for cable lugs, connectors and wire-end ferrules with interchangeable inserts

- extremely fast processing thanks to hydraulic support
- large processing range up to 300 mm²
- 270° revolving quick-action crimping head
- automatic pressure limitation and monitoring via pressure sensor
- electronic control and monitoring of the crimping process
- Saving of all crimping cycles and error messages to internal memory
- Reading of all cycles and error messages via USB
- Li-ion rechargeable battery with charge status indicator: 18 V, 2 Ah

General ordering data

Version	Crimping tool insert, 6mm ² , WM crimp
Order No.	2469380000
Type	ES EPG/HPG 60 WM 6
GTIN (EAN)	4050118532937
Qty.	1 items

ES EPG/HPG 60 WM 6

Weidmüller Interface GmbH & Co. KG
 Klingenbergstraße 26
 D-32758 Detmold
 Germany

www.weidmueller.com

Technical data

Dimensions and weights

Depth	22 mm	Depth (inches)	0.8661 inch
Height	42 mm	Height (inches)	1.6535 inch
Width	42 mm	Width (inches)	1.6535 inch
Net weight	150 g		

Environmental Product Compliance

RoHS Compliance Status	Compliant without exemption
REACH SVHC	No SVHC above 0.1 wt%

Crimp inserts

Crimping width	7 mm	Crimp cross-section copper	6
Crimping width in mm	7		

Description of contact

Type of contact	Euro series cable lug	Conductor cross-section, max. AWG	10
Conductor cross-section, min. AWG	10	Crimping range, max.	6 mm ²

tool data crimping

Crimping type/profile	WM crimp
Cable lug cross section	nominal 6 mm ²

Classifications

ETIM 8.0	EC001282	ETIM 9.0	EC001282
ETIM 10.0	EC001282	ECLASS 14.0	21-04-90-90
ECLASS 15.0	21-04-90-90		

ES EPG/HPG 60 WM 6

Weidmüller Interface GmbH & Co. KG
 Klingenbergstraße 26
 D-32758 Detmold
 Germany

www.weidmueller.com

Accessories

Tools



Crimping tools for cable lugs, connectors and wire-end ferrules with interchangeable inserts

- extremely fast processing thanks to hydraulic support
- large processing range up to 300 mm²
- 270° revolving quick-action crimping head
- automatic pressure limitation and monitoring via pressure sensor
- electronic control and monitoring of the crimping process
- Saving of all crimping cycles and error messages to internal memory
- Reading of all cycles and error messages via USB
- Li-ion rechargeable battery with charge status indicator: 18 V, 2 Ah

General ordering data

Type	EPG 60	Version
Order No.	2453810000	Pressing tools, Tools, Pressing tool, 6mm ² , 300mm ² , Hexagonal crimp, WM crimp, Indent crimp, Trapezoidal crimp, Oval crimping
GTIN (EAN)	4050118468434	
Qty.	1 ST	
Type	HPG 60	Version
Order No.	2453820000	6mm ² , 300mm ² , Hexagonal crimp, WM crimp, Indent crimp, Trapezoidal crimp, Oval crimping
GTIN (EAN)	4050118468427	
Qty.	1 ST	

6 mm²



The use of insulated connectors guarantees users consistent electrical connection quality in the long term.

- Wide range of insulated and non-insulated cable lugs and connectors
- Tubular cable lugs according to current market standards (Euroseries)
- Compression cable lugs acc. to DIN 46235
- Sheet metal cable lugs acc. to DIN 46234
- Insulated ring cable lugs to DIN 46237
- Insulated pin cable lugs to DIN 46231

General ordering data

Type	KRN-M4/-6	Version
Order No.	1497150000	cable lug, terminal end, 6 mm ² , 6 mm ² - 6 mm ²
GTIN (EAN)	4050118306767	
Qty.	100 ST	
Type	KRN-M5/-6	Version
Order No.	1497170000	cable lug, terminal end, 6 mm ² , 6 mm ² - 6 mm ²
GTIN (EAN)	4050118306590	
Qty.	100 ST	
Type	KRN-M6/-6	Version
Order No.	1497180000	cable lug, terminal end, 6 mm ² , 6 mm ² - 6 mm ²
GTIN (EAN)	4050118306729	
Qty.	100 ST	

ES EPG/HPG 60 WM 6

Weidmüller Interface GmbH & Co. KG
 Klingenbergstraße 26
 D-32758 Detmold
 Germany

www.weidmueller.com

Accessories

Type	KRN-M8/-6	Version
Order No.	1497190000	cable lug, terminal end,6 mm ² ,6 mm ² - 6 mm ²
GTIN (EAN)	4050118306613	
Qty.	100 ST	
Type	KRN-M10/-6	Version
Order No.	1497200000	cable lug, terminal end,6 mm ² ,6 mm ² - 6 mm ²
GTIN (EAN)	4050118306385	
Qty.	100 ST	
Type	KRN-M12/-6	Version
Order No.	1497210000	cable lug, terminal end,6 mm ² ,6 mm ² - 6 mm ²
GTIN (EAN)	4050118306347	
Qty.	100 ST	
Type	KWN-M4/-6 90	Version
Order No.	1497220000	cable lug, terminal end,6 mm ² ,6 mm ² - 6 mm ²
GTIN (EAN)	4050118306477	
Qty.	100 ST	
Type	KWN-M5/-6 90	Version
Order No.	1496120000	cable lug, terminal end,6 mm ² ,6 mm ² - 6 mm ²
GTIN (EAN)	4050118305753	
Qty.	100 ST	
Type	KWN-M6/-6 90	Version
Order No.	1496130000	cable lug, terminal end,6 mm ² ,6 mm ² - 6 mm ²
GTIN (EAN)	4050118305982	
Qty.	100 ST	
Type	KWN-M8/-6 90	Version
Order No.	1496140000	cable lug, terminal end,6 mm ² ,6 mm ² - 6 mm ²
GTIN (EAN)	4050118306248	
Qty.	100 ST	
Type	KWN-M10/-6 90	Version
Order No.	1496150000	cable lug, terminal end,6 mm ² ,6 mm ² - 6 mm ²
GTIN (EAN)	4050118305579	
Qty.	100 ST	
Type	KWN-M12/-6 90	Version
Order No.	1496170000	cable lug, terminal end,6 mm ² ,6 mm ² - 6 mm ²
GTIN (EAN)	4050118305869	
Qty.	100 ST	
Type	VSTN/-6	Version
Order No.	1494720000	cable lug, terminal end,6 mm ² ,6 mm ² ,None
GTIN (EAN)	4050118304190	
Qty.	100 ST	
Type	KP-M5/-6	Version
Order No.	1497840000	cable lug, terminal end,6 mm ²
GTIN (EAN)	4050118307405	
Qty.	100 ST	
Type	KP-M6/-6	Version
Order No.	1497850000	cable lug, terminal end,6 mm ²
GTIN (EAN)	4050118307245	
Qty.	100 ST	
Type	KP-M8/-6	Version
Order No.	1497860000	cable lug, terminal end,6 mm ²
GTIN (EAN)	4050118307238	
Qty.	100 ST	

ES EPG/HPG 60 WM 6

Weidmüller Interface GmbH & Co. KG
Klingenbergstraße 26
D-32758 Detmold
Germany

www.weidmueller.com

Accessories

Type	VPN/-6	Version	
Order No.	1498610000		cable lug, terminal end,6 mm ² ,6 mm ² ,None
GTIN (EAN)	4050118307931		
Qty.	100 ST		