

ACT20X-HTI-SAO-P

Weidmüller Interface GmbH & Co. KG
 Klingenbergstraße 26
 D-32758 Detmold
 Germany

www.weidmueller.com

Product image, Similar to illustration



The ACT20X-HTI-SAO / 2HTI-2SAO temperature transducers record temperatures from PT100 sensors and thermocouples from Ex zone 0. Current loops from 0(4) to 20 mA can also be connected on the input side.

On the output side, there are active and passive current loops available for the safe zone.

Integrated alarm contacts issue an alert in the event of a malfunction; this makes troubleshooting easier and increases system availability.

The rail-mounted current output isolators are optionally available in one- or two-channel versions.

With 11 mm width per channel, the devices need little space in the electrical cabinet.

General ordering data

Version	EX signal isolating converter, Ex-input: I, 9, Safe-output: 4-20mA, 2-channel, Input : Temperature, 4-20 mA, EX, Output : 4-20 mA, Safe
Order No.	2456180000
Type	ACT20X-HTI-SAO-P
GTIN (EAN)	4050118471595
Qty.	1 items

ACT20X-HTI-SAO-P

Weidmüller Interface GmbH & Co. KG
 Klingenbergstraße 26
 D-32758 Detmold
 Germany

www.weidmueller.com

Technical data

Approvals

Approvals



ROHS	Conform
UL File Number Search	UL Website
Certificate no. (cULus)	E337701

Dimensions and weights

Depth	114.6 mm	Depth (inches)	4.5118 inch
Height	127.3 mm	Height (inches)	5.0118 inch
Width	22.5 mm	Width (inches)	0.8858 inch
Net weight	178 g		

Temperatures

Storage temperature	-20 °C...85 °C	Operating temperature	-20 °C...60 °C
Humidity	0...95 % (no condensation)		

Probability of failure

SIL PAPER	SIL certificate - PDF/ Cert_Weidmueller_070902_P0002_C003_V2R1.pdf (application/pdf)	SIL in compliance with IEC 61508	2
-----------	--	----------------------------------	---

Environmental Product Compliance

RoHS Compliance Status	Compliant with exemption
RoHS Exemption (if applicable/known)	7a, 7cI
REACH SVHC	Lead 7439-92-1
SCIP	2f6dd957-42 1a-46db-a0c2-cf1609156924

Assembling

Type of mounting	DIN rail	Mounting rail	TS 35
Mounting position	horizontal or vertical		

Input EX

Sensor	2-/3-/4-wire, RTD: PT10, PT20, PT50, PT100, PT250, PT300, PT400, PT500, PT1000, Ni50, Ni100, Ni120, Ni1000, Thermocouples: B, E, J, K, N, R, S, T ; in compliance with IEC 60584-1 and L, U in compliance with DIN43710	Type	intrinsically safe circuit, RTD, TC, DC (mA)
Line resistance in measuring circuit	≤ 50 Ω	Temperature input range	Configurable, PT100: -200...+850 °C, PT200: -200...+850 °C, PT1000: -200...+850 °C, NI100: -60°C...+250 °C, Ni120: -80 °C...+320 °C, NI1000: -60°C...+250 °C, B: +100...+1820 °C, E: (-100...

ACT20X-HTI-SAO-P

Weidmüller Interface GmbH & Co. KG

Klingenbergstraße 26

D-32758 Detmold

Germany

www.weidmueller.com

Technical data

+1000 °C), J: (-100...
+1200 °C), K: (-180...
+1372 °C), L: (-200...+900
°C), N: (-180...+1300 °C),
R: (-50...+1760 °C), S:
(-50...+1760 °C), T: (-200...
+400 °C), U: (-200...+600
°C), W3: (0...+2300 °C),
W5: (0...+2300 °C), LR:
(-200...+800 °C)

Input current	0...20 mA, 4...20mA	Input resistance, current	20 Ω + PTC 50 Ω
---------------	---------------------	---------------------------	-----------------

Output

Number of outputs	1	Load impedance current	≤ 600 Ω
Influence of load resistance	≤ 0.01% of span / 100 Ω	Type	active (as current source) or passive (as current sink)
Output current	0...23 mA, configurable: 0...20 / 4...20 / 20...0 / 20...4 mA, configurable downscale (3.5 mA)/ upscale (23 mA) @ error	Output signal limit	3.8...20.5 mA / 0...20.5 mA (dependent on range)

Output (Status)

Type	Status relay, 1 NC (voltage-free)	Alarm function	Device error, No supply voltage
Nominal switching voltage	≤ 125 V AC / 110 V DC (safe area) ≤ 32 V AC / 32 V DC (zone 2)	Continuous current	≤ 0.5 A AC / 0.3 A DC (safe zone), ≤ 0,5 A AC / 1 A DC (zone 2)
Power rating	≤ 62.5 VA / 32 W (safe area) ≤ 16 VA / 32 W (Zone 2)		

General specifications

Type of connection	PUSH IN	Humidity	0...95 % (no condensation)
Protection degree	IP20	Supply voltage	19.2...31.2 V DC
Step response time	≤ 400 ms (with current), ≤ 1 s (with temperature)	Configuration	With FDT/DTM software, Requires configuration adapter 8978580000 CBX200 USB
Operating altitude	≤ 2000 m		

Insulation coordination

EMC standards	EN 61326-1	Standards	EN 61010-1
Insulation voltage	2.6 kV (input / output)	Rated voltage	300 V

Data for Ex applications (ATEX)

ATEX - gas labelling	II (1) G [Ex ia Ga] IIC/IIB/ IIA	IECEx - dust labelling	[Ex ia Da] IIIC
ATEX - dust labelling	II (1) D [Ex ia Da] IIIC, I (M1) [Ex ia Ma] I	IECEx - gas labelling	Ex ec nC IIC T4 Gc, [Ex ia Ga] IIC/IIB/IIA
Installation location	Device installed in safe area, zone 2		

ACT20X-HTI-SAO-P

Weidmüller Interface GmbH & Co. KG

Klingenbergstraße 26

D-32758 Detmold

Germany

www.weidmueller.com

Technical data

Connection data

Type of connection	PUSH IN	Wire connection cross section AWG, min.	AWG 26
Wire connection cross section AWG, max.	AWG 14	Wire cross-section, solid, min.	0.2 mm ²
Wire cross-section, solid, max.	2.5 mm ²	Wire connection cross section, finely stranded, min.	0.2 mm ²
Wire connection cross section, finely stranded, max.	2.5 mm ²	Wire connection cross-section, finely stranded with wire-end ferrules DIN 46228/4, min.	0.2 mm ²
Wire connection cross-section, finely stranded with wire-end ferrules DIN 46228/4, max.	2.5 mm ²		

Guarantee

Time interval	3 years
---------------	---------

Part description

Product description	<p>The devices of the ACT20X-HTI-SAO-S family transmit analog signals galvanic isolated from hazardous areas to the safe area. For this purpose the input circuits are designed intrinsically safe.</p> <p>Features</p> <ul style="list-style-type: none"> • Configuration and diagnosis via FDT/DTM Software "WI-Manager". • The device can be mounted in the safe area and in zone 2 / division 2 and receive signals from zone 0, 1, 2, 20, 21 and 22, as well as Class I/II/III, division 1, group A-G. • The passive signal inputs for RTD, TC and mA are made for one or two channels and completely electrically isolated. • The two-channel version is suitable to use as a signal splitter. • As cold junction compensation for the TC signal input, either the internal cold junction compensation or for even higher accuracy an external cold junction compensation terminal is used. • Extended self diagnostic: Monitoring of error events and cable breakage via the individual status relay. • Front LEDs indicates operation status and malfunction. • 3-way galvanic isolation between input, output and power supply.
---------------------	--

Classifications

ETIM 8.0	EC002919	ETIM 9.0	EC002919
ETIM 10.0	EC002919	ECLASS 14.0	27-21-01-29
ECLASS 15.0	27-21-01-29		

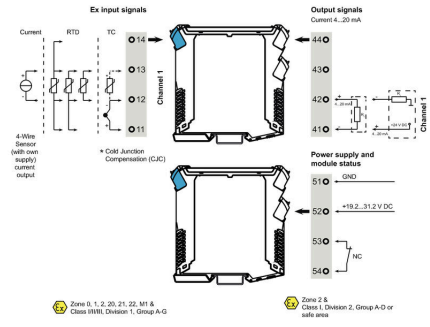
ACT20X-HTI-SAO-P

Weidmüller Interface GmbH & Co. KG
 Klingenbergstraße 26
 D-32758 Detmold
 Germany

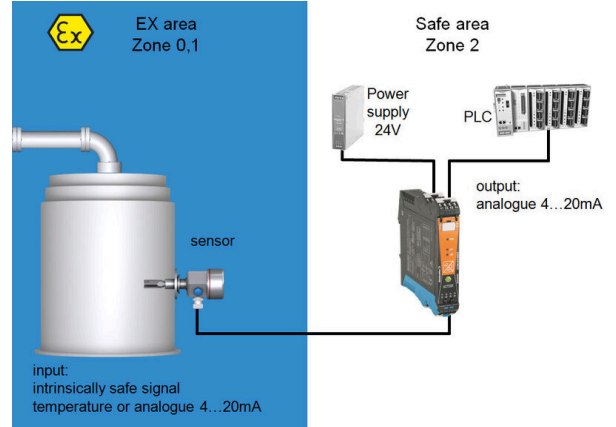
Drawings

www.weidmueller.com

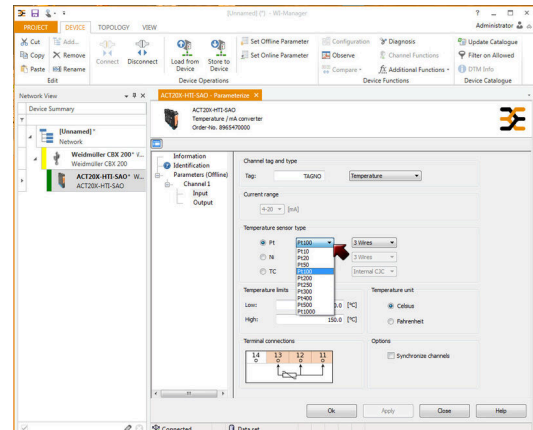
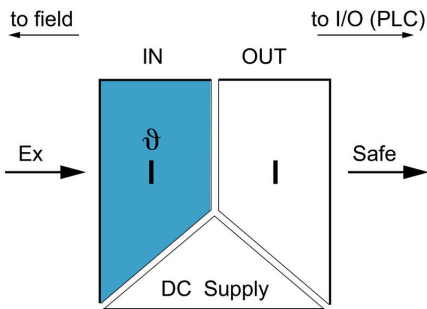
Connection diagram

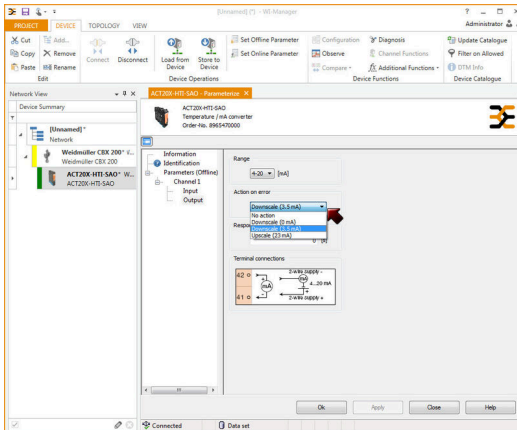


Application

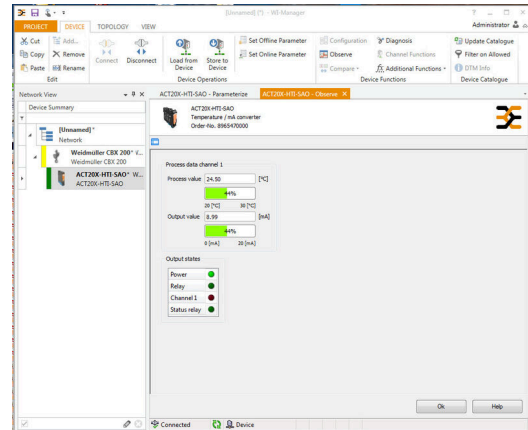


Block diagram



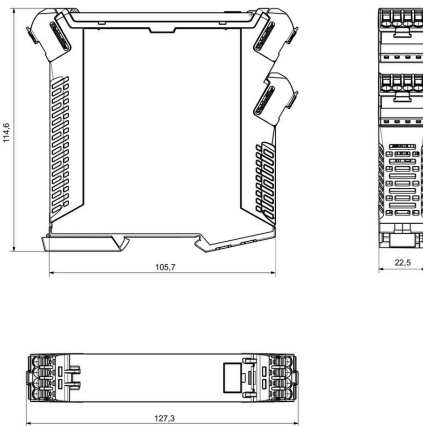


89654700004805.tif



screenshot of output configuration with FDT2 / DTM software

Dimensioned drawing



Removable terminals with coding