

## ACT20X-SAI-HAO-P

**Weidmüller Interface GmbH & Co. KG**  
 Klingenbergstraße 26  
 D-32758 Detmold  
 Germany

www.weidmueller.com

### Product image, Similar to illustration



The ACT20X-SAI-HAO/2SAI-2HAO current output isolators are suitable for controlling field devices in Ex areas, up to Zone 0.

The input/output-side HART protocol transparent signal connection is implemented using 4 to 20 mA current loops.

Integrated alarm contacts issue an alert in the event of a malfunction; this makes troubleshooting easier and increases system availability.

The rail-mounted current output isolators are optionally available in one- or two-channel versions.

With 11 mm width per channel, the devices need little space in the electrical cabinet.

### General ordering data

Version	EX signal isolating converter, HART® transparency, 1-channel, Safe-input: 4-20mA, Ex output: 4 - 20 mA
Order No.	<a href="#">2456160000</a>
Type	ACT20X-SAI-HAO-P
GTIN (EAN)	4050118471564
Qty.	1 items

**Technical data**

**Approvals**

Approvals



ROHS	Conform
UL File Number Search	<a href="#">UL Website</a>
Certificate no. (cULus)	E337701

**Dimensions and weights**

Depth	114.6 mm	Depth (inches)	4.5118 inch
Height	127.3 mm	Height (inches)	5.0118 inch
Width	22.5 mm	Width (inches)	0.8858 inch
Net weight	189 g		

**Temperatures**

Storage temperature	-20 °C...85 °C	Operating temperature	-20 °C...60 °C
Humidity	0...95 % (no condensation)		

**Probability of failure**

SIL PAPER	SIL certificate - PDF/ Cert_Weidmueller_070902_P0002_C007_V2R1.pdf (application/pdf)	SIL in compliance with IEC 61508	2
MTBF	135 a		

**Environmental Product Compliance**

RoHS Compliance Status	Compliant with exemption
RoHS Exemption (if applicable/known)	7a, 7cI
REACH SVHC	Lead 7439-92-1
SCIP	2f6dd957-421a-46db-a0c2-cf1609156924

**Assembling**

Type of mounting	TS 35	Mounting rail	TS 35
Mounting position	horizontal or vertical		

**Input**

Number inputs	1	Input current	4...20mA
Voltage drop	<2 V		

**Output**

Load impedance current	<600 Ω	Influence of load resistance	≤ 0.01% of span / 100 Ω
Type	intrinsically safe circuit	Output current	4...20 mA (max. 23 mA)
Number of outputs, Ex	1	Output signal limit	<28 mA

## ACT20X-SAI-HAO-P

Weidmüller Interface GmbH &amp; Co. KG

Klingenbergstraße 26

D-32758 Detmold

Germany

www.weidmueller.com

## Technical data

## Output (Status)

Hysteresis	0.1 mA (switching threshold)	Type	Status relay, 1 NC (voltage-free)
Alarm function	Device error, Failure of power supply, Activation relay within set range, between 3,8 - 20,5 mA	Number of alarm outputs	1
Nominal switching voltage	≤ 125 V AC / 110 V DC (safe area) ≤ 32 V AC / 32 V DC (zone 2)	Continuous current	≤ 0,5 A AC / 1 A DC (zone 2)
Power rating	≤ 62.5 VA / 32 W (safe area) ≤ 16 VA / 32 W (Zone 2)		

## General specifications

Type of connection	PUSH IN	Accuracy	<0.1% span
Humidity	0...95 % (no condensation)	Protection degree	IP20
Supply voltage	19.2...31.2 V DC	Step response time	≤ 5 ms
Temperature coefficient	<0.01% of span/°C (TU)	Type of signal forwarding according to HART®	unchanged
Configuration	With FDT/DTM software, Requires configuration adapter 8978580000 CBX200 USB	Operating altitude	≤ 2000 m
HART® transparency supported	Yes	Heat dissipation	≤1,0 W

## Insulation coordination

EMC standards	EN 61326-1	Standards	EN 61010-1
Insulation voltage	2.6 kV (input / output)	Rated voltage	300 V

## Data for Ex applications (ATEX)

ATEX - gas labelling	II (1) G [Ex ia Ga] IIC/IIB/IIA	Current I0	93 mA
Voltage U0	28 V DC	ATEX - dust labelling	II (1) D [Ex ia Da] IIIC, I (M1) [Ex ia Ma] I
IECEX - gas labelling	Ex ec nC IIC T4 Gc, [Ex ia Ga] IIC/IIB/IIA	Power P0	<650 mW
Installation location	Device installed in safe area, zone 2		

## Connection data

Type of connection	PUSH IN	Wire connection cross section AWG, min.	AWG 26
Wire connection cross section AWG, max.	AWG 14	Wire cross-section, solid, min.	0.2 mm <sup>2</sup>
Wire cross-section, solid, max.	2.5 mm <sup>2</sup>	Wire connection cross section, finely stranded, min.	0.2 mm <sup>2</sup>
Wire connection cross section, finely stranded, max.	2.5 mm <sup>2</sup>	Wire connection cross-section, finely stranded with wire-end ferrules DIN 46228/4, min.	0.2 mm <sup>2</sup>
Wire connection cross-section, finely stranded with wire-end ferrules DIN 46228/4, max.	2.5 mm <sup>2</sup>		

**ACT20X-SAI-HAO-P**

**Weidmüller Interface GmbH & Co. KG**  
Klingenbergstraße 26  
D-32758 Detmold  
Germany

[www.weidmueller.com](http://www.weidmueller.com)

**Technical data****Guarantee**

Time interval 3 years

**Part description**

Product description The ACT20X-SAI-HAO-S is a HART-protocol, transparent current output isolator. A DC current input signal from the safe area will be galvanically separated and drives controlled field devices in Ex zone 0. The device is available as single-channel or dual-channel version.

**Classifications**

ETIM 8.0	EC002653	ETIM 9.0	EC002653
ETIM 10.0	EC002653	ECLASS 14.0	27-21-01-20
ECLASS 15.0	27-21-01-20		

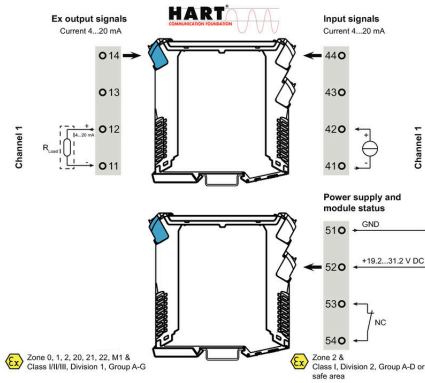
**ACT20X-SAI-HAO-P**

**Weidmüller Interface GmbH & Co. KG**  
 Klingenbergstraße 26  
 D-32758 Detmold  
 Germany

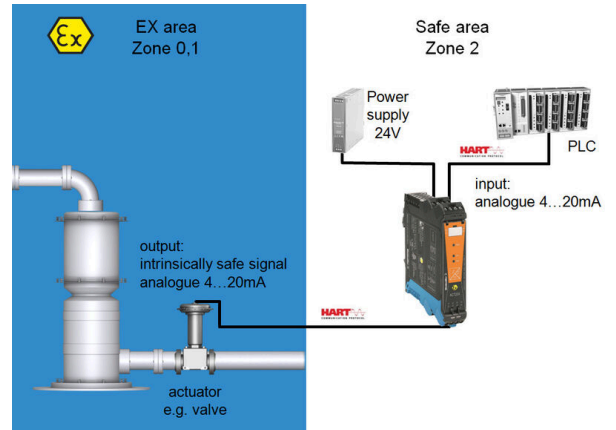
www.weidmueller.com

**Drawings**

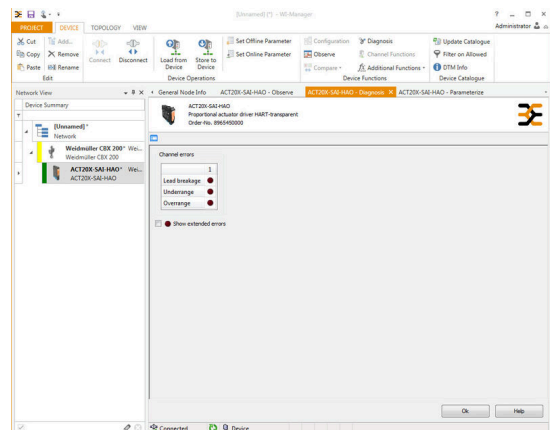
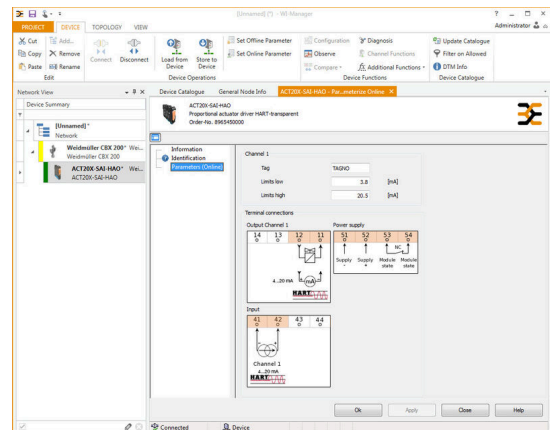
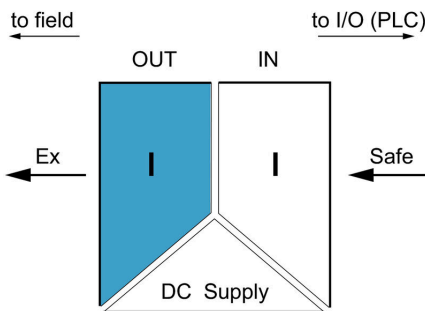
**Connection diagram**



**Application**



**Block diagram**



screenshot of configuration with FDT2 / DTM software

screenshot of "observe" with FDT2 / DTM software

**ACT20X-SAI-HAO-P**

**Weidmüller Interface GmbH & Co. KG**  
Klingenbergstraße 26  
D-32758 Detmold  
Germany

**Drawings**

[www.weidmueller.com](http://www.weidmueller.com)

**Dimensioned drawing**



Removable terminals with coding

## ACT20X-SAI-HAO-P

**Weidmüller Interface GmbH & Co. KG**  
 Klingenbergstraße 26  
 D-32758 Detmold  
 Germany

www.weidmueller.com

## Accessories

### Blank



ESG is the tried-and-tested marker in MultiCard format for use on many well-known electrical devices. The result is high-quality device marking with a high-contrast appearance.

Various types are available for devices from manufacturers like Siemens, ABB, Beckhoff etc.

Advantages at a glance:

- Tags for universal usage, self-adhesive or clip-on tags, depending on type
- For aligned equipment, e.g. circuit breakers, we supply ESG markers for clipping onto tag rails
- Individual laser-quality printing according to specifications

For custom printing: Please send us a file of our labeling software M-Print PRO or M-Print PRO Online (without installation) for your labeling specifications.

### General ordering data

Type	ESG 6.6/20 BHZ 5.00/04	Version	
Order No.	<a href="#">1082540000</a>	ESG, Device markers x 20 mm, PA 66, Colour: white, pluggable	
GTIN (EAN)	4032248845439		
Qty.	200 ST		
Type	ESG 8/13.5/43.3 SAI AU	Version	
Order No.	<a href="#">1912130000</a>	ESG, Device markers x 13.5 mm, PA 66, Colour: Transparent, pluggable	
GTIN (EAN)	4032248541164		
Qty.	5 ST		

### Configuration interfaces



### General ordering data

Type	CBX200 USB	Version	
Order No.	<a href="#">8978580000</a>		
GTIN (EAN)	4032248813759		
Qty.	1 ST		