

ACT20X-2HAI-2SAO-P

Weidmüller Interface GmbH & Co. KG

Klingenbergstraße 26

D-32758 Detmold

Germany

www.weidmueller.com



The ACT20X-HAI-SAO/2HAI-2SAO HART-protocol transparent current-supply isolators are capable of transmitting 4...20 mA signals from Ex zone 0 into the safe zone. External sensors can be supplied with power through the device.

Integrated alarm contacts issue an alert in the event of a malfunction; this makes troubleshooting easier and increases system availability.

The rail mounted current-supply isolators are optionally available in one- or two-channel versions.

With 11 mm width per channel, the devices need little space in the electrical cabinet.

General ordering data

Version	EX signal isolating converter, HART®, 2-channel, Ex-input: 4 - 20 mA, Safe-output: 4-20mA
Order No.	2456 150000
Type	ACT20X-2HAI-2SAO-P
GTIN (EAN)	4050118471281
Qty.	1 items

ACT20X-2HAI-2SAO-P

Weidmüller Interface GmbH & Co. KG
 Klingenbergstraße 26
 D-32758 Detmold
 Germany

www.weidmueller.com

Technical data

Approvals

Approvals



ROHS	Conform
UL File Number Search	UL Website
Certificate no. (cULus)	E337701

Dimensions and weights

Depth	114.6 mm	Depth (inches)	4.5118 inch
Height	127.3 mm	Height (inches)	5.0118 inch
Width	22.5 mm	Width (inches)	0.8858 inch
Net weight	212 g		

Temperatures

Storage temperature	-20 °C...85 °C	Operating temperature	-20 °C...60 °C
Humidity	0...95 % (no condensation)		

Probability of failure

SIL PAPER	SIL certificate - PDF/ Cert_Weidmueller_070902_P0002_C006_V2R1.pdf (application/pdf)	SIL in compliance with IEC 61508	2
MTBF	315 a		

Environmental Product Compliance

RoHS Compliance Status	Compliant with exemption
RoHS Exemption (if applicable/known)	7a, 7cl
REACH SVHC	Lead 7439-92-1
SCIP	2f6dd957-421a-46db-a0c2-cf1609156924

Assembling

Type of mounting	Snap mounting support rail	Mounting rail	TS 35
Mounting position	horizontal or vertical		

Input EX

Type	intrinsically safe circuit, active (as current source) or passive (as current sink)	Residual ripple (current loop)	<7.5 mVeff
Sensor supply	> 16 V DC	Output signal in case of wire break	<1 mA
Input current	4...20mA	Voltage drop powered	<4.5 V
Voltage drop not powered	<6 V		

Output

Number of outputs	2	Load impedance current	≤ 600 Ω
Type	active (as current source) or passive (as current sink)	Output current	4...20 mA
Output signal limit	<28 mA	Load stability	≤ 0.01 % of end value / 100 Ω

ACT20X-2HAI-2SAO-P

Weidmüller Interface GmbH & Co. KG

 Klingenbergstraße 26
 D-32758 Detmold
 Germany

www.weidmueller.com

Technical data

Output (Status)

Hysteresis	0.1 mA (switching threshold)	Type	Status relay, 1 NC (voltage-free)
Alarm function	Device error, No supply voltage, Activation relay within set range, between 3,8 - 20,5 mA	Number of alarm outputs	1
Nominal switching voltage	≤ 125 V AC / 110 V DC (safe area) ≤ 32 V AC / 32 V DC (zone 2)	Continuous current	≤ 0.5 A AC / 0.3 A DC (safe zone), ≤ 0,5 A AC / 1 A DC (zone 2)
Power rating	≤ 62.5 VA / 32 W (safe area) ≤ 16 VA / 32 W (Zone 2)		

General specifications

Type of connection	PUSH IN	Accuracy	<0.1% span
Humidity	0...95 % (no condensation)	Protection degree	IP20
Supply voltage	19.2...31.2 V DC	Step response time	≤ 5 ms
Temperature coefficient	<0.01% of span/°C (TU)	Type of signal forwarding according to HART®	unchanged
Configuration	With FDT/DTM software, Requires configuration adapter 8978580000 CBX200 USB	Operating altitude	≤ 2000 m
HART® transparency supported	Yes		

Insulation coordination

EMC standards	EN 61326-1	Standards	EN 61010-1
Insulation voltage	2.6 kV (input / output)	Rated voltage	300 V

Data for Ex applications (ATEX)

ATEX - gas labelling	II (1) G [Ex ia Ga] IIC/IIB/IIA	ATEX - dust labelling	II (1) D [Ex ia Da] IIIC, I (M1) [Ex ia Ma] I
IECEx - gas labelling	Ex ec nC IIC T4 Gc, [Ex ia Ga] IIC/IIB/IIA	Installation location	Device installed in safe area, zone 2

Connection data

Type of connection	PUSH IN	Wire connection cross section AWG, min.	AWG 26
Wire connection cross section AWG, max.	AWG 14	Wire cross-section, solid, min.	0.2 mm ²
Wire cross-section, solid, max.	2.5 mm ²	Wire connection cross section, finely stranded, min.	0.2 mm ²
Wire connection cross section, finely stranded, max.	2.5 mm ²	Wire connection cross-section, finely stranded with wire-end ferrules DIN 46228/4, min.	0.2 mm ²
Wire connection cross-section, finely stranded with wire-end ferrules DIN 46228/4, max.	2.5 mm ²		

Guarantee

Time interval	3 years
---------------	---------

ACT20X-2HAI-2SAO-P

Weidmüller Interface GmbH & Co. KG
Klingenbergstraße 26
D-32758 Detmold
Germany

www.weidmueller.com

Technical data**Part description**

Product description

The ACT20X-HAI-SAO-S current supply isolator is a HART-protocol, transparent isolator for analogue DC current signals from Ex-zone 0. The input may also operate as an active current loop (the loop current provided by the device). The device provides an 4...20 mA current signal for the safe zone on the output side. The device is available as single-channel or dual-channel version.

Classifications

ETIM 8.0	EC002653	ETIM 9.0	EC002653
ETIM 10.0	EC002653	ECLASS 14.0	27-21-01-20
ECLASS 15.0	27-21-01-20		

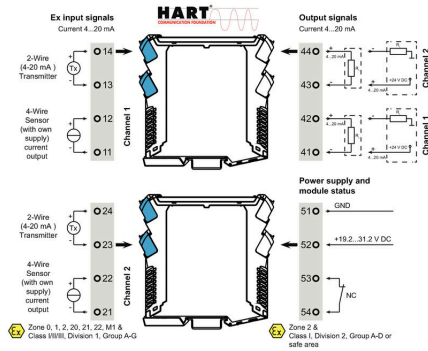
ACT20X-2HAI-2SAO-P

Weidmüller Interface GmbH & Co. KG
 Klingenbergstraße 26
 D-32758 Detmold
 Germany

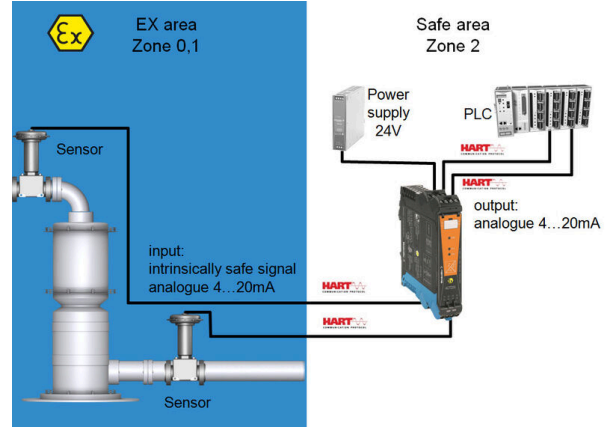
www.weidmueller.com

Drawings

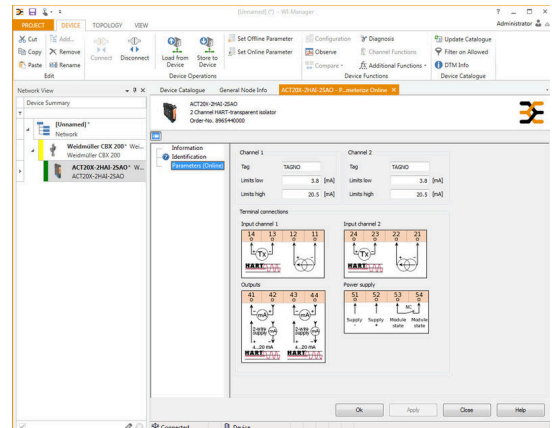
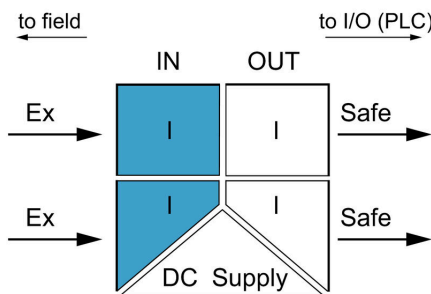
Connection diagram



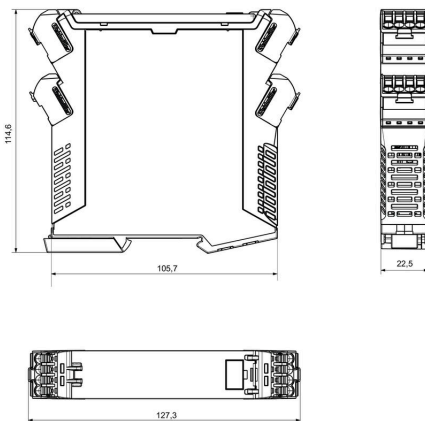
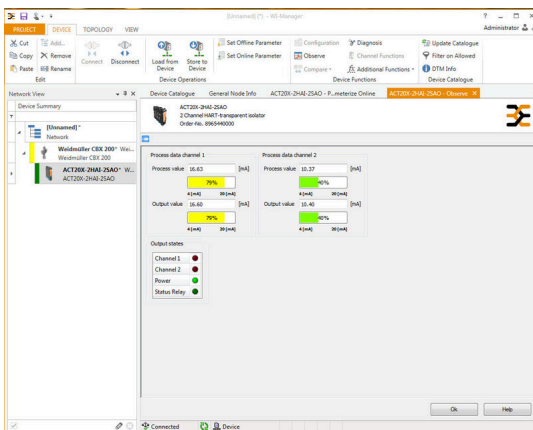
Application



Block diagram



Dimensioned drawing



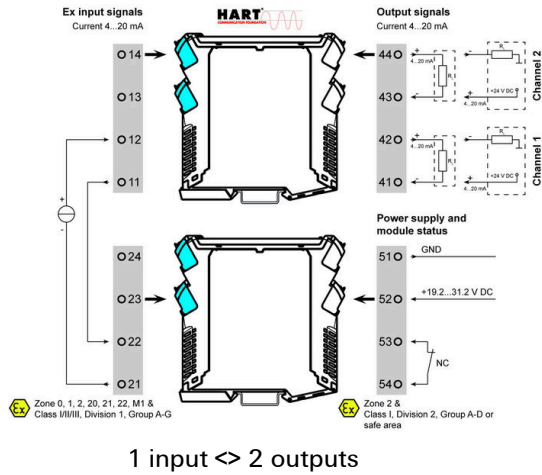
ACT20X-2HAI-2SAO-P

Weidmüller Interface GmbH & Co. KG
 Klingenbergstraße 26
 D-32758 Detmold
 Germany

Drawings

www.weidmueller.com

Application



Application

