

**IE-CDR-V14MSCPOF/VAPM-C II**

**Weidmüller Interface GmbH & Co. KG**  
Klingenbergstraße 26  
D-32758 Detmold  
Germany

[www.weidmueller.com](http://www.weidmueller.com)



FreeCon Active PROFINET repeater for PushPull Var. 14  
plug-in connectors according to IEC 61076-3-117 and  
PushPull Power according to the PROFINET specification

**General ordering data**

Version	PROFINET POF Repeater, FreeCon, IP65
Order No.	<a href="#">2455360000</a>
Type	IE-CDR-V14MSCPOF/VAPM-C II
GTIN (EAN)	4050118469967
Qty.	1 items

## IE-CDR-V14MSCPOF/VAPM-C II

**Weidmüller Interface GmbH & Co. KG**  
 Klingenbergstraße 26  
 D-32758 Detmold  
 Germany

www.weidmueller.com

## Technical data

### Approvals

Approvals



ROHS Conform

UL File Number Search [UL Website](#)

Certificate no. (cULus) E141197

### Dimensions and weights

Depth	53 mm	Depth (inches)	2.0866 inch
Width	100 mm	Width (inches)	3.937 inch
Length	130.4 mm	Length (inches)	5.1338 inch
Net weight	680.24 g		

### Temperatures

Storage temperature	Operating temperature	-20 °C...55 °C
Installation temperature		

### Environmental Product Compliance

RoHS Compliance Status	Compliant with exemption
RoHS Exemption (if applicable/known)	6c
REACH SVHC	Lead 7439-92-1
SCIP	67cf1078-beca-4687-860b-dc475a6ec24a

### General data

UL 94 flammability rating	V-0	Housing main material	Aluminium profile, Cover: die-cast zinc, electroplated
Type of mounting	None	Protection degree	IP65
Plugging cycles	≥ 100	Wiring	PROFINET
Power interface	PROFINET PushPull Power	Data interface	PROFINET PushPull SCRJ POF (V14)

### Electrical properties

Voltage type	DC	Baud rate	100 MB
Operating voltage	24 V	Protocol	PROFINET IRT
Current consumption	200 mA typical	LED indicator	FO1: port active, FO2: port active, SF: general error, BF: bus error, US1: voltage 1 (electronics), US2: voltage 2, ACT1: activity Port1, ACT2: activity Port2
Operational voltage range	18...30 V DC		

### General standards

PROFINET specification	Conformance Class C acc. V2.3	Connector standard	IEC 61076-3-117 Var. 14, IEC 61754-24
Network standard	IEC 61158, IEC 61784	Certificate no. (cULus)	E141197

**IE-CDR-V14MSCPOF/VAPM-C II**

**Weidmüller Interface GmbH & Co. KG**  
Klingenbergstraße 26  
D-32758 Detmold  
Germany

[www.weidmueller.com](http://www.weidmueller.com)

**Technical data****Important note**

Product information Further development of 1253240000, IE-CDR-V14MSCPOF/VAPM-C. For commissioning, the new GSDML file (see Downloads) must be installed.

**Classifications**

ETIM 8.0	EC000732	ETIM 9.0	EC000732
ETIM 10.0	EC000732	ECLASS 14.0	19-17-02-06
ECLASS 15.0	19-17-02-06		

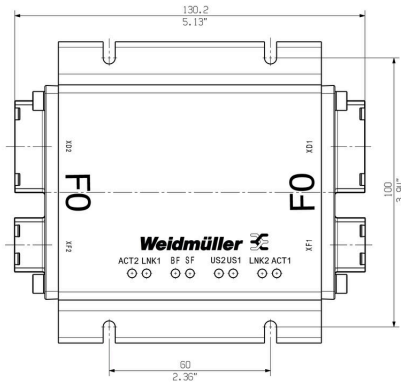
**IE-CDR-V14MSCPOF/VAPM-C II**

**Weidmüller Interface GmbH & Co. KG**  
 Klingenbergstraße 26  
 D-32758 Detmold  
 Germany

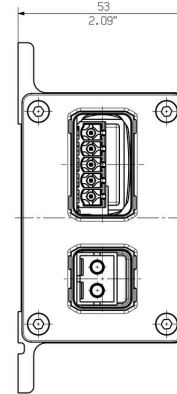
www.weidmueller.com

**Drawings**

**Dimensioned drawing**



**Dimensioned drawing**



**Wiring diagram**

