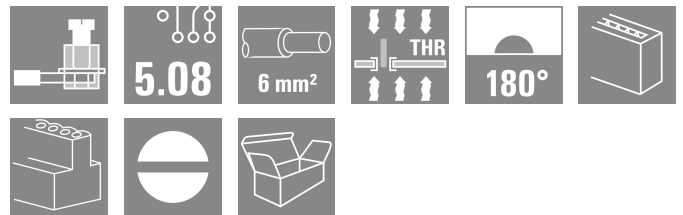
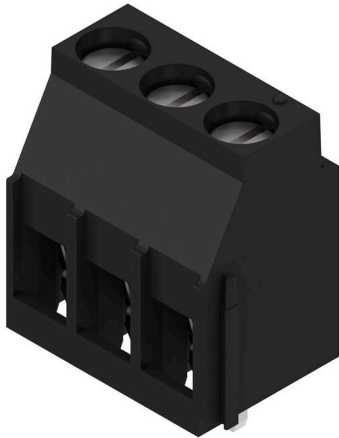


LL-THR 5.08/03/90 3.2SN BK BX

Weidmüller Interface GmbH & Co. KG
Klingenbergstraße 26
D-32758 Detmold
Germany

www.weidmueller.com

Product image**General ordering data**

Version	Printed circuit board terminals, 5.08 mm, Number of poles: 3, Solder pin length (l): 3.2 mm, black, Clamping yoke connection, Box
Order No.	2444910000
Type	LL-THR 5.08/03/90 3.2SN BK BX
GTIN (EAN)	4050118457865
Qty.	114 items
Product data	UL: / AWG 26 - AWG 12
Packaging	Box

LL-THR 5.08/03/90 3.2SN BK BX

Weidmüller Interface GmbH & Co. KG
 Klingenbergstraße 26
 D-32758 Detmold
 Germany

www.weidmueller.com

Technical data

Dimensions and weights

Depth	15.24 mm	Depth (inches)	0.6 inch
Height	22.65 mm	Height (inches)	0.8917 inch
Height of lowest version	19.45 mm	Width	15.84 mm
Width (inches)	0.6236 inch	Net weight	4.41 g

Environmental Product Compliance

RoHS Compliance Status	Compliant without exemption
REACH SVHC	No SVHC above 0.1 wt%

System parameters

Product family	OMNIMATE Signal - series LL	Wire connection method	Clamping yoke connection
Mounting onto the PCB	THT/THR solder connection	Pitch in mm (P)	5.08 mm
Pitch in inches (P)	0.200 "	Number of poles	3
Pin series quantity	1	Solder pin length (l)	3.2 mm
L1 in mm	10.16 mm	L1 in inches	0.400 "
Protection degree	IP20		

Material data

Colour	black	Colour chart (similar)	RAL 9011
Contact material	Cu-alloy	Storage temperature, min.	-40 °C
Storage temperature, max.	70 °C		

Conductors suitable for connection

Wire connection cross section AWG, min.	AWG 26	Wire connection cross section AWG, max.	AWG 12
Reference text	Length of ferrules is to be chosen depending on the product and the rated voltage., The outside diameter of the plastic collar should not be larger than the pitch (P)		

Rated data acc. to CSA

Wire cross-section, AWG, min.	AWG 26	Wire cross-section, AWG, max.	AWG 12
-------------------------------	--------	-------------------------------	--------

Rated data acc. to UL 1059

Wire cross-section, AWG, min.	AWG 26	Wire cross-section, AWG, max.	AWG 12
-------------------------------	--------	-------------------------------	--------

Packing

Packaging	Box	VPE length	346.00 mm
VPE width	135.00 mm	VPE height	31.00 mm

Important note

IPC conformity	Conformity: The products are developed, manufactured and delivered according international recognized standards and norms and comply with the assured properties in the data sheet resp.
----------------	--

LL-THR 5.08/03/90 3.2SN BK BX

Weidmüller Interface GmbH & Co. KG
Klingenbergstraße 26
D-32758 Detmold
Germany

www.weidmueller.com

Technical data

fulfill decorative properties in accordance with IPC-A-610 "Class 2". Further claims on the products can be evaluated on request.

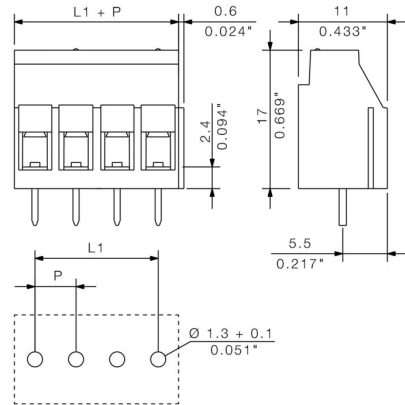
Notes

- Long term storage of the product with average temperature of 50 °C and maximum humidity 70%, 36 months

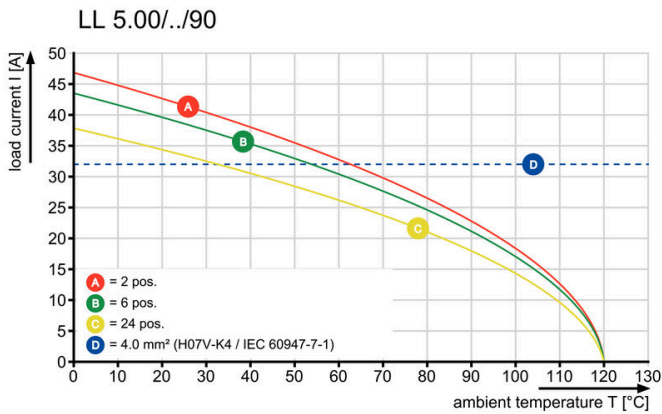
Classifications

ETIM 8.0	EC002643	ETIM 9.0	EC002643
ETIM 10.0	EC002643	ECLASS 14.0	27-46-01-01
ECLASS 15.0	27-46-01-01		

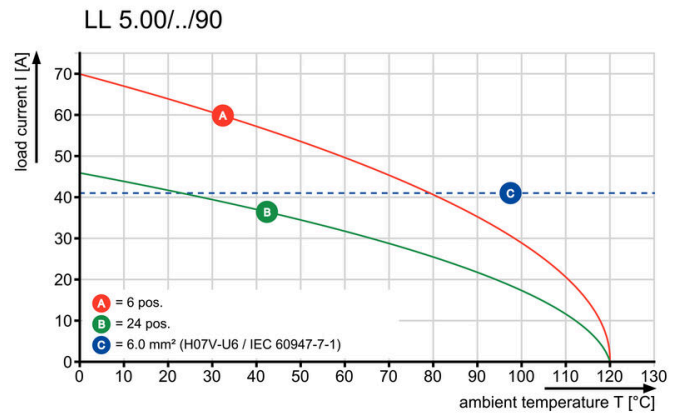
Dimensional drawing



Graph



Graph



Graph

