

RJ45C5 T1V 4.0N4N TY

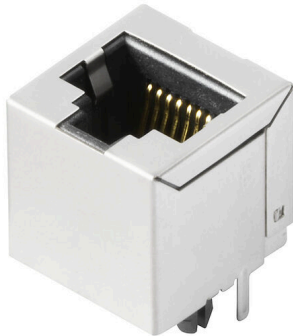
Weidmüller Interface GmbH & Co. KG

Klingenbergstraße 26

D-32758 Detmold

Germany

www.weidmueller.com



The product range encompasses the following designs:

- 90°, lying (horizontal) and 180°, standing (vertical)
- latch up / latch down
- THT, THR or SMD soldering processes
- Wide range of different design types, also with integrated LEDs and shield contact tabs
- Performance category Cat. 3 to Cat. 6
- Packed either in a tray (TY) or on a roll (tape-on-reel, RL)
- Compatible with modular RJ45 connector according to ANSI / TIA-1096-A and IEC 60603
- Dielectric strength ≥ 1500 V AC RMS (2250 V AC peak value) according to IEEE 802.3
- Dielectric strength ≥ 1500 V AC (peak value) or ≥ 1500 V DC according to IEC 60603

Properties and advantages:

- Extended temperature range of -40°C to $+85^{\circ}\text{C}$ for maximum performance
- Reinforced gold layer ($30\mu\text{m}$) for improved corrosion protection
- At least 0.3mm stand-off ensures a perfect soldering result

General ordering data

Version	OMNIMATE Data - RJ45 modular jack, PCB plug-in connector, Cat. 5, THT solder connection, 180°, none, No, Plugging cycles: 750, Number of poles: 8, PA 6T, 30...80 μm Ni / ≥ 30 μm Au , Tray (manual assembly)
Order No.	2436450000
Type	RJ45C5 T1V 4.0N4N TY
GTIN (EAN)	4050118448832
Qty.	120 items
Packaging	Tray (manual assembly)

RJ45C5 T1V 4.0N4N TY

Weidmüller Interface GmbH & Co. KG
Klingenbergstraße 26
D-32758 Detmold
Germany

www.weidmueller.com

Technical data

Approvals

Approvals



ROHS	Conform
UL File Number Search	UL Website
Certificate No. (cURus)	E471884

Dimensions and weights

Depth	16.7 mm	Depth (inches)	0.6575 inch
Height	20 mm	Height (inches)	0.7874 inch
Height of lowest version	16.5 mm	Width	16 mm
Width (inches)	0.6299 inch	Net weight	6.45 g

Environmental Product Compliance

RoHS Compliance Status	Compliant without exemption
REACH SVHC	No SVHC above 0.1 wt%

System specifications

Number of poles	8	LED	No
Solder pin length (l)	4 mm	Mounting onto the PCB	THT solder connection
Pitch in inches (P)	0.050 "	Shielding material	Brass
Shielding	Yes	Side termination, characteristic	Solder flange
Solder eyelet hole diameter tolerance (D) ± 0.1 mm		Number of solder pins per pole	1
Type of connection	Solder connection	Solder eyelet hole diameter (D)	0.9 mm
Category	Cat. 5	Product family	OMNIMATE Data - RJ45 modular jack
Pitch in mm (P)	1.27 mm	Protection degree	IP20
Plugging cycles	750	Outgoing elbow	180°
Shield surface	nickel-plated	Shield tabs	none
Performance-Category	Cat. 5	Soldering process	Manual soldering, Wave soldering
Solder pin dimensions	Octagonal	Tolerance of solder pin position	± 0.1 mm

Electrical properties

Dielectric strength, contact / shield	1500 V DC	Dielectric strength, contact / contact	1000 V DC
Volume resistance	<25 mΩ	Insulation resistance	≥ 500 MΩ
Nominal voltage	125 V	Rated current	1.5 A
PoE / PoE+	conforming to IEEE 802.3at		

Standards

Connector standard	IEC 60603-7-5 1
--------------------	-----------------

Material data

Insulating material	PA 6T	Colour	black
Colour chart (similar)	RAL 9011	Insulating material group	II
Comparative Tracking Index (CTI)	≥ 500	Insulation resistance	≥ 500 MΩ
Moisture Level (MSL)		UL 94 flammability rating	V-0

RJ45C5 T1V 4.0N4N TY

Weidmüller Interface GmbH & Co. KG
 Klingenbergstraße 26
 D-32758 Detmold
 Germany

www.weidmueller.com

Technical data

Contact base material	Phosphorus bronze	Contact material	Cu-alloy
Contact surface	Gold over nickel	Layer structure of plug contact	30...80 µ" Ni / ≥ 30 µ" Au
Storage temperature, min.	-40 °C	Storage temperature, max.	85 °C
Operating temperature, min.	-40 °C	Operating temperature, max.	85 °C

Packing

Packaging	Tray (manual assembly)	VPE length	317.00 mm
VPE width	191.00 mm	VPE height	67.00 mm

Important note

Notes

Classifications

ETIM 8.0	EC002637	ETIM 9.0	EC002637
ETIM 10.0	EC002637	ECLASS 14.0	27-46-02-01
ECLASS 15.0	27-46-02-01		

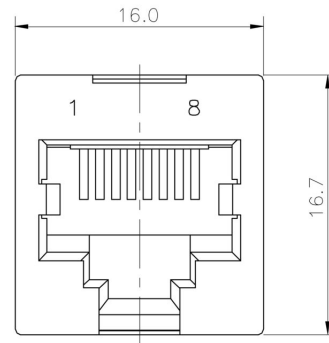
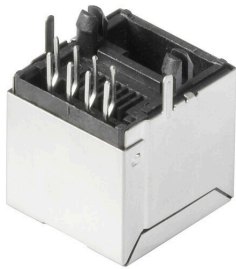
RJ45C5 T1V 4.0N4N TY

Weidmüller Interface GmbH & Co. KG
 Klingenbergstraße 26
 D-32758 Detmold
 Germany

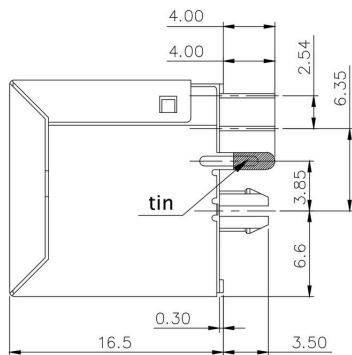
www.weidmueller.com

Drawings

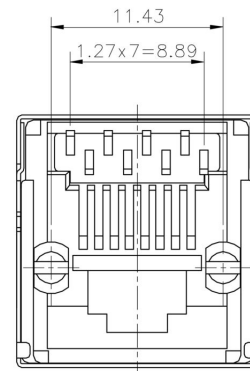
Dimensioned drawing



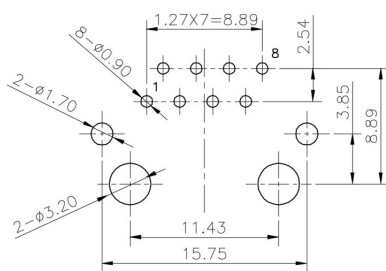
Dimensioned drawing



Dimensioned drawing



PCB design



PCB LAYOUT

RJ45C5 T1V 4.0N4N TY

Weidmüller Interface GmbH & Co. KG
 Klingenbergstraße 26
 D-32758 Detmold
 Germany

Drawings

www.weidmueller.com

Code	Value	Description
RJ45	G1	RJ45G1 R1U 3.2E4GY/GY TY
R	1	Through Hole Reflow - THR
U	3.2	Solder Pin length: 3.2 mm
E	4	Contact surface thickness: 4 μm
GY/GY	TY	LED: Green-Yellow/Green-Yellow
		Packaging TY: Tray in box (manual assembly) RL: Tape on Reel (automated assembly)
		LED Y/G: Yellow/Green G/Y: Green/Yellow (standard) GY/GY: Green-Yellow/Green-Yellow O/G: Orange/Green R/O: Red/Orange ...: (further combinations possible) N: without LED
		Contact surface thickness 4: 1 = 3μm, 2 = 6μm, 3 = 15μm, 4 = 30μm, 5 = 50μm
		EMI tabs (ground fingers) E: E = with EMI tabs N: N = without EMI tabs
		Solder Pin length 3.2: 3.2 mm 1.6: 1.6 mm D: SMD
		Direction, latch style U: Horizontal (90°, side entry), latch up D: Horizontal (90°, side entry), latch down V: Vertical (180°, top entry) Y: Diagonal (45°), latch up
		Number of Ports 1: 1 Port 12; 14; ...: multi ports side by side, Multiport 21; 41; ...: multi ports about each other, Multilevel
		Assembly on PCB R: Through Hole Reflow - THR S: Soldering process: Wave or Reflow soldering SMT: Surface Mount Technology - SMT T: Soldering process: Reflow soldering TIT: Through Hole Technology - TIT Wave: Soldering process: Wave
		Performance Category C5: Category 5 C6: Category 6 C6A: Category 6A C5e: Category 5e M: 10/100 Mbit G1: 10/100/1000 Mbit G10: 10 Gbit U: Unshielded MP: 10/100 Mbit with POE MP+: 10/100 Mbit with POE+

Legend