

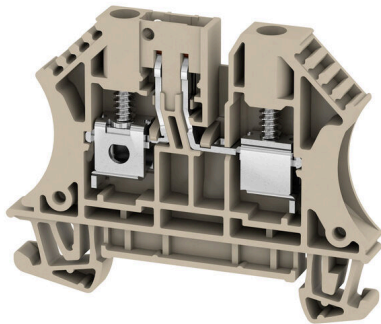
**WTR 4/O.TNHE****Weidmüller Interface GmbH & Co. KG**

Klingenbergstraße 26

D-32758 Detmold

Germany

www.weidmueller.com

**Product image**

In some applications it makes sense to add a test point or a disconnect element to the feed through terminal for testing and safety purposes. With test disconnect terminals you measure electric circuits in the absence of voltage. While the disconnecting points clearance and creepage distance is not assessed in dimensional terms, the specified rated impulse voltage strength must be proven.

**General ordering data**

|            |                                                                                                                                        |
|------------|----------------------------------------------------------------------------------------------------------------------------------------|
| Version    | Test-disconnect terminal, Screw connection, dark beige, 4 mm <sup>2</sup> , 32 A, 500 V, Number of connections: 2, Number of levels: 1 |
| Order No.  | <a href="#">2436380000</a>                                                                                                             |
| Type       | WTR 4/O.TNHE                                                                                                                           |
| GTIN (EAN) | 4050118448344                                                                                                                          |
| Qty.       | 50 items                                                                                                                               |

## WTR 4/O.TNHE

Weidmüller Interface GmbH & Co. KG  
Klingenbergstraße 26  
D-32758 Detmold  
Germany

www.weidmueller.com

## Technical data

## Approvals

Approvals



ROHS Conform

## Dimensions and weights

|            |         |                 |             |
|------------|---------|-----------------|-------------|
| Depth      | 48 mm   | Depth (inches)  | 1.8898 inch |
| Height     | 60 mm   | Height (inches) | 2.3622 inch |
| Width      | 6.1 mm  | Width (inches)  | 0.2402 inch |
| Net weight | 11.09 g |                 |             |

## Temperatures

|                                  |                |                                  |                |
|----------------------------------|----------------|----------------------------------|----------------|
| Storage temperature              | -25 °C...55 °C | Ambient temperature              | -50 °C...75 °C |
| Continuous operating temp., min. | -50 °C         | Continuous operating temp., max. | 120 °C         |

## Environmental Product Compliance

|                        |                             |
|------------------------|-----------------------------|
| RoHS Compliance Status | Compliant without exemption |
| REACH SVHC             | No SVHC above 0.1 wt%       |

## Material data

|                           |       |        |            |
|---------------------------|-------|--------|------------|
| Basic material            | Wemid | Colour | dark beige |
| UL 94 flammability rating | V-0   |        |            |

## System specifications

|                                     |                                                                                  |                               |     |
|-------------------------------------|----------------------------------------------------------------------------------|-------------------------------|-----|
| Version                             | Screw connection, Spacer, for plug-in cross-connector, One end without connector | End cover plate required      | Yes |
| Number of potentials                | 1                                                                                | Number of levels              | 1   |
| Number of clamping points per level | 2                                                                                | Number of potentials per tier | 1   |
| Levels cross-connected internally   | No                                                                               | PE connection                 | No  |
| Mounting rail                       | TS 35                                                                            | N-function                    | No  |
| PE function                         | No                                                                               | PEN function                  | No  |

## Additional technical data

|                             |   |                  |         |
|-----------------------------|---|------------------|---------|
| Number of similar terminals | 1 | Type of mounting | Snap-on |
|-----------------------------|---|------------------|---------|

## Conductors for clamping (additional connection)

Connection type, additional connection Screw connection

## Conductors for clamping (rated connection)

|                         |                  |                                         |                  |
|-------------------------|------------------|-----------------------------------------|------------------|
| Gauge to IEC 60947-1    | A4               | Wire connection cross section AWG, max. | AWG 10           |
| Connection direction    | on side          | Tightening torque, max.                 | 0.6 Nm           |
| Tightening torque, min. | 0.5 Nm           | Stripping length                        | 13 mm            |
| Type of connection 2    | Screw connection | Type of connection                      | Screw connection |

## WTR 4/O.TNHE

**Weidmüller Interface GmbH & Co. KG**

Klingenbergstraße 26  
D-32758 Detmold  
Germany

www.weidmueller.com

## Technical data

|                                                                                         |                      |                                                                                         |                      |
|-----------------------------------------------------------------------------------------|----------------------|-----------------------------------------------------------------------------------------|----------------------|
| Number of connections                                                                   | 2                    | Clamping range, max.                                                                    | 6 mm <sup>2</sup>    |
| Clamping range, min.                                                                    | 0.22 mm <sup>2</sup> | Clamping screw                                                                          | M 3                  |
| Blade size                                                                              | 0.6 x 3.5 mm         | Wire connection cross section AWG, min.                                                 | AWG 22               |
| Wire connection cross-section, finely stranded with wire-end ferrules DIN 46228/4, max. | 2.5 mm <sup>2</sup>  | Wire connection cross-section, finely stranded with wire-end ferrules DIN 46228/4, min. | 0.22 mm <sup>2</sup> |
| Wire connection cross-section, finely stranded with wire-end ferrules DIN 46228/1, max. | 4 mm <sup>2</sup>    | Wire connection cross-section, finely stranded with wire-end ferrules DIN 46228/1, min. | 0.22 mm <sup>2</sup> |
| Wire connection cross section, finely stranded, max.                                    | 4 mm <sup>2</sup>    | Wire connection cross section, finely stranded, min.                                    | 0.22 mm <sup>2</sup> |
| Connection cross-section, stranded, max.                                                | 6 mm <sup>2</sup>    | Connection cross-section, stranded, min.                                                | 0.22 mm <sup>2</sup> |
| Torque level with DMS electric screwdriver                                              | 2                    | Wire connection cross-section, solid core, max.                                         | 6 mm <sup>2</sup>    |
| Wire connection cross-section, solid core, min.                                         | 0.22 mm <sup>2</sup> | Connection cross-section, finely stranded, min.                                         | 0.22 mm <sup>2</sup> |

### General

|                                         |        |                                         |        |
|-----------------------------------------|--------|-----------------------------------------|--------|
| Wire connection cross section AWG, max. | AWG 10 | Wire connection cross section AWG, min. | AWG 22 |
| Mounting rail                           | TS 35  |                                         |        |

### Rating data

|                                 |                   |                                              |        |
|---------------------------------|-------------------|----------------------------------------------|--------|
| Rated cross-section             | 4 mm <sup>2</sup> | Rated voltage                                | 500 V  |
| Rated DC voltage                | 500 V             | Nominal current                              | 32 A   |
| Current at maximum wires        | 32 A              | Volume resistance according to IEC 60947-7-x | 1 mΩ   |
| Rated impulse withstand voltage | 6 kV              | Power loss in accordance with IEC 60947-7-x  | 1.02 W |
| Pollution severity              | 3                 |                                              |        |

### Classifications

|             |             |             |             |
|-------------|-------------|-------------|-------------|
| ETIM 8.0    | EC000902    | ETIM 9.0    | EC000902    |
| ETIM 10.0   | EC000902    | ECLASS 14.0 | 27-25-01-09 |
| ECLASS 15.0 | 27-25-01-09 |             |             |

**Drawings**



## WTR 4/O.TNHE

Weidmüller Interface GmbH &amp; Co. KG

Klingenbergstraße 26

D-32758 Detmold

Germany

www.weidmueller.com

## Accessories

## End plates and partition plates



Partition plates and end plates are essential accessories for terminal blocks. Partition plates provide optical and electrical separation of different potentials and functional groups, increasing safety and ensuring a clear structure inside the control cabinet. End plates close the terminal block row on the sides, protect against contact with live parts, and ensure a clean, stable finish. Both components are precisely matched to the respective Weidmüller terminal block series, contributing to safe, compliant, and professional wiring.

## General ordering data

|            |                            |                                                                    |
|------------|----------------------------|--------------------------------------------------------------------|
| Type       | WAP 2.5-10                 | Version                                                            |
| Order No.  | <a href="#">1050000000</a> | End plate for terminals, dark beige, Height: 56 mm, Width: 1.5 mm, |
| GTIN (EAN) | 4008190103149              | V-0, Wemid, Snap-on: No                                            |
| Qty.       | 50 ST                      |                                                                    |
| Type       | WAP 16+35 WTW 2.5-10       | Version                                                            |
| Order No.  | <a href="#">1050100000</a> | End and partition plate for terminals, dark beige, Height: 56 mm,  |
| GTIN (EAN) | 4008190079901              | Width: 1.5 mm, V-0, Wemid                                          |
| Qty.       | 20 ST                      |                                                                    |

## End bracket



Weidmüller's range of products includes end brackets that guarantee a permanent, reliable mounting on the terminal rail and prevent sliding. Versions with and without screws are available. The end brackets include marking options, also for group markers, and also a test plug holder.

## General ordering data

|            |                            |                                                                |
|------------|----------------------------|----------------------------------------------------------------|
| Type       | WEW 35/2                   | Version                                                        |
| Order No.  | <a href="#">1061200000</a> | End bracket, dark beige, TS 35, HB, Wemid, Width: 8 mm, 100 °C |
| GTIN (EAN) | 4008190030230              |                                                                |
| Qty.       | 50 ST                      |                                                                |

## Slotted screwdriver



Slotted screwdriver with rounded blade SD DIN 5265, ISO 2380/2, output to DIN 5264, ISO 2380/1. ChromTop tip, SoftFinish grip

## WTR 4/O.TNHE

**Weidmüller Interface GmbH & Co. KG**  
 Klingenbergstraße 26  
 D-32758 Detmold  
 Germany

www.weidmueller.com

## Accessories

## General ordering data

|            |                            |                          |  |
|------------|----------------------------|--------------------------|--|
| Type       | SDS 0.6X3.5X100            | Version                  |  |
| Order No.  | <a href="#">9008330000</a> | Screwdriver, Screwdriver |  |
| GTIN (EAN) | 4032248056286              |                          |  |
| Qty.       | 1 ST                       |                          |  |

## Fuse holder

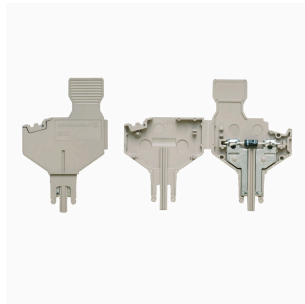


The fuse holder SIHA quickly turns a disconnect terminal into a fuse terminal: simply remove the disconnect lever and attach the fuse unit.

## General ordering data

|            |                            |                                                                |  |
|------------|----------------------------|----------------------------------------------------------------|--|
| Type       | SIHA 3/G20                 | Version                                                        |  |
| Order No.  | <a href="#">7921560000</a> | Fuse holder for feed-through modular terminal, black, 6.3 A,   |  |
| GTIN (EAN) | 4032248264643              | pluggable, V-O, Wemid                                          |  |
| Qty.       | 25 ST                      |                                                                |  |
| Type       | SIHA 3/G20/LD 10-36V       | Version                                                        |  |
| Order No.  | <a href="#">7921570000</a> | Fuse holder for feed-through modular terminal, black, 2.31 mA, |  |
| GTIN (EAN) | 4032248322503              | pluggable, V-O, Wemid                                          |  |
| Qty.       | 25 ST                      |                                                                |  |
| Type       | SIHA 3/G20/LD 140-250V     | Version                                                        |  |
| Order No.  | <a href="#">7921600000</a> | Fuse holder for feed-through modular terminal, black, 2.31 mA, |  |
| GTIN (EAN) | 4032248322633              | pluggable, V-O, Wemid                                          |  |
| Qty.       | 25 ST                      |                                                                |  |

## Component plugs



The component plug is used to integrate an electrical component in a disconnect terminal block. After soldering the electronic component, the plug can be integrated into the disconnection area of our disconnect terminal blocks and thus changes the disconnect terminal block into a modular terminal block with integrated electronic component.

## General ordering data

|            |                            |                                   |  |
|------------|----------------------------|-----------------------------------|--|
| Type       | BEST                       | Version                           |  |
| Order No.  | <a href="#">1833100000</a> | Accessories, Component plug       |  |
| GTIN (EAN) | 4032248501014              |                                   |  |
| Qty.       | 50 ST                      |                                   |  |
| Type       | BEST/DRBR                  | Version                           |  |
| Order No.  | <a href="#">1878570000</a> | Accessories, Component plug, 22 A |  |
| GTIN (EAN) | 4032248471508              |                                   |  |
| Qty.       | 50 ST                      |                                   |  |

## WTR 4/O.TNHE

Weidmüller Interface GmbH &amp; Co. KG

Klingenbergstraße 26

D-32758 Detmold

Germany

www.weidmueller.com

## Accessories

|            |                            |                                  |
|------------|----------------------------|----------------------------------|
| Type       | BEST/D                     | Version                          |
| Order No.  | <a href="#">1878560000</a> | Accessories, Component plug, 1 A |
| GTIN (EAN) | 4032248471492              |                                  |
| Qty.       | 50 ST                      |                                  |

## Disconnect plugs



In contrast to the terminal blocks with integrated disconnect lever, our disconnect plugs can be completely detached or removed from the terminal block and the respective application and offer a flexible alternative solution to our standard disconnectors.

## General ordering data

|            |                            |                                    |
|------------|----------------------------|------------------------------------|
| Type       | TNST                       | Version                            |
| Order No.  | <a href="#">1833090000</a> | Accessories, Disconnect plug, 20 A |
| GTIN (EAN) | 4032248471485              |                                    |
| Qty.       | 50 ST                      |                                    |

## Blank



The Dekafix (DEK) marker is the universal marker for all conductor and plug-in connectors as well as for electronic sub-assemblies. The system is ideal for short number sequences and covers a wide range of ready-printed markers.

Strips for fast installation in only one work step. The printing is easy to read, rich in contrast and available in various widths.

- Large range of ready-to-use markers
  - Strips for fast installation
  - Terminal markers, suitable for all Weidmüller cable connectors
  - Available as blank MultiCard or with standard printing
- For custom printing: Please send us a file of our labeling software M-Print PRO or M-Print PRO Online (without installation) for your labeling specifications.

## General ordering data

|            |                            |                                                                    |
|------------|----------------------------|--------------------------------------------------------------------|
| Type       | DEK 5/6 MC NE WS           | Version                                                            |
| Order No.  | <a href="#">1609820000</a> | Dekafix, Terminal marker, 5 x 6 mm, Pitch in mm (P): 6.00          |
| GTIN (EAN) | 4008190203436              | Weidmueller, white                                                 |
| Qty.       | 1000 ST                    |                                                                    |
| Type       | WS 12/6 MC NE WS           | Version                                                            |
| Order No.  | <a href="#">1609900000</a> | WS, Terminal marker, 12 x 6 mm, Pitch in mm (P): 6.00 Weidmueller, |
| GTIN (EAN) | 4008190203467              | Allen-Bradley, white                                               |
| Qty.       | 600 ST                     |                                                                    |

## WTR 4/O.TNHE

Weidmüller Interface GmbH &amp; Co. KG

Klingenbergstraße 26

D-32758 Detmold

Germany

www.weidmueller.com

## Accessories

## Marker holder



The marker holder offer the possibility of additional mounting of standard markers with a pitch of 5 or 5.1 mm. The angled holders can be optionally snapped together and could be mounted in all standard marking channels of the Klippon® Connect modular terminal blocks. Fitting marker types could be found under the respective accessories of the designation marking holder.

## General ordering data

|            |                            |                            |  |
|------------|----------------------------|----------------------------|--|
| Type       | BZT 1 WS 10/5              | Version                    |  |
| Order No.  | <a href="#">1805490000</a> | Accessories, Marker holder |  |
| GTIN (EAN) | 4032248270231              |                            |  |
| Qty.       | 100 ST                     |                            |  |
| Type       | BZT 1 ZA WS 10/5           | Version                    |  |
| Order No.  | <a href="#">1805520000</a> | Accessories, Marker holder |  |
| GTIN (EAN) | 4032248270248              |                            |  |
| Qty.       | 100 ST                     |                            |  |

## DEK 5/6



## WS/ DEK

MultiMark terminal markers use an innovative composite material made from two components. The hard base contour of the marker snaps securely into the connector. The elastic surface finish makes the marker easy to mount. This specially punched material enables the strips to be stretched to accommodate the slight variations in spacing that tend to add up, especially with long terminal blocks. Another advantage: the excellent printability of the surface material guarantees durable and wear-resistant labelling. A print resolution of 300 dpi also produces a very legible script.

## Your benefits with MultiMark

- Firm hold and durable printing
- Continuous strips save installation time
- Easy mounting thanks to an innovative composite material
- Large label field for optimal legibility
- High flexibility thanks to manufacturer independence

## General ordering data

|            |                            |                                                        |  |
|------------|----------------------------|--------------------------------------------------------|--|
| Type       | DEK 5/6 MM WS              | Version                                                |  |
| Order No.  | <a href="#">2007120000</a> | Dekafix, Terminal marker, 5 x 6 mm, Weidmueller, white |  |
| GTIN (EAN) | 4050118392104              |                                                        |  |
| Qty.       | 600 ST                     |                                                        |  |

## WTR 4/O.TNHE

Weidmüller Interface GmbH &amp; Co. KG

Klingenbergstraße 26

D-32758 Detmold

Germany

## Accessories

www.weidmueller.com

## WS 12/6



## WS/ DEK

MultiMark terminal markers use an innovative composite material made from two components. The hard base contour of the marker snaps securely into the connector. The elastic surface finish makes the marker easy to mount. This specially punched material enables the strips to be stretched to accommodate the slight variations in spacing that tend to add up, especially with long terminal blocks. Another advantage: the excellent printability of the surface material guarantees durable and wear-resistant labelling. A print resolution of 300 dpi also produces a very legible script.

Your benefits with MultiMark

- Firm hold and durable printing
- Continuous strips save installation time
- Easy mounting thanks to an innovative composite material
- Large label field for optimal legibility
- High flexibility thanks to manufacturer independence

## General ordering data

|            |                            |                                                    |  |
|------------|----------------------------|----------------------------------------------------|--|
| Type       | WS 12/6 MM WS              | Version                                            |  |
| Order No.  | <a href="#">2007200000</a> | WS, Terminal marker, 12 x 6 mm, Weidmueller, white |  |
| GTIN (EAN) | 4050118391886              |                                                    |  |
| Qty.       | 600 ST                     |                                                    |  |

## Cross-connections



The distribution or multiplication of a potential to adjoining terminal blocks is realized via a cross-connection. Additional wiring effort can be easily avoided. Even if the poles are broken out, contact reliability in the terminal blocks is still ensured. Our portfolio offers pluggable and screwable cross-connection systems for modular terminal blocks.

## General ordering data

|            |                            |                                                                       |  |
|------------|----------------------------|-----------------------------------------------------------------------|--|
| Type       | ZQV 4N/3 BL                | Version                                                               |  |
| Order No.  | <a href="#">1528080000</a> | Cross-connector (terminal), Plugged, blue, 32 A, Number of poles: 3,  |  |
| GTIN (EAN) | 4050118333008              | Pitch in mm (P): 6.10, Insulated: Yes, Width: 16 mm                   |  |
| Qty.       | 60 ST                      |                                                                       |  |
| Type       | ZQV 4N/10                  | Version                                                               |  |
| Order No.  | <a href="#">1528090000</a> | Cross-connector (terminal), Plugged, orange, 32 A, Number of poles:   |  |
| GTIN (EAN) | 4050118332896              | 10, Pitch in mm (P): 6.10, Insulated: Yes, Width: 58.7 mm             |  |
| Qty.       | 20 ST                      |                                                                       |  |
| Type       | ZQV 4N/10 BL               | Version                                                               |  |
| Order No.  | <a href="#">1528230000</a> | Cross-connector (terminal), Plugged, blue, 32 A, Number of poles: 10, |  |
| GTIN (EAN) | 4050118333138              | Pitch in mm (P): 6.10, Insulated: Yes, Width: 58.7 mm                 |  |
| Qty.       | 20 ST                      |                                                                       |  |

## WTR 4/O.TNHE

**Weidmüller Interface GmbH & Co. KG**  
 Klingenbergstraße 26  
 D-32758 Detmold  
 Germany

www.weidmueller.com

## Accessories

|            |                            |                                                                       |
|------------|----------------------------|-----------------------------------------------------------------------|
| Type       | ZQV 4N/10 RD               | Version                                                               |
| Order No.  | <a href="#">2460740000</a> | Cross-connector (terminal), Plugged, red, 32 A, Number of poles: 10,  |
| GTIN (EAN) | 4050118476163              | Pitch in mm (P): 6.10, Insulated: Yes, Width: 58.7 mm                 |
| Qty.       | 20 ST                      |                                                                       |
| Type       | ZQV 4N/2                   | Version                                                               |
| Order No.  | <a href="#">1527930000</a> | Cross-connector (terminal), Plugged, orange, 32 A, Number of poles:   |
| GTIN (EAN) | 4050118332766              | 2, Pitch in mm (P): 6.10, Insulated: Yes, Width: 9.9 mm               |
| Qty.       | 60 ST                      |                                                                       |
| Type       | ZQV 4N/2 BL                | Version                                                               |
| Order No.  | <a href="#">1528040000</a> | Cross-connector (terminal), Plugged, blue, 32 A, Number of poles: 2,  |
| GTIN (EAN) | 4050118332773              | Pitch in mm (P): 6.10, Insulated: Yes, Width: 9.9 mm                  |
| Qty.       | 60 ST                      |                                                                       |
| Type       | ZQV 4N/2 RD                | Version                                                               |
| Order No.  | <a href="#">2460450000</a> | Cross-connector (terminal), Plugged, red, 32 A, Number of poles: 2,   |
| GTIN (EAN) | 4050118476149              | Pitch in mm (P): 6.10, Insulated: Yes, Width: 9.9 mm                  |
| Qty.       | 60 ST                      |                                                                       |
| Type       | ZQV 4N/3                   | Version                                                               |
| Order No.  | <a href="#">1527940000</a> | Cross-connector (terminal), Plugged, orange, 32 A, Number of poles:   |
| GTIN (EAN) | 4050118332865              | 3, Pitch in mm (P): 6.10, Insulated: Yes, Width: 16 mm                |
| Qty.       | 60 ST                      |                                                                       |
| Type       | ZQV 4N/3 RD                | Version                                                               |
| Order No.  | <a href="#">2460810000</a> | Cross-connector (terminal), Plugged, red, 32 A, Number of poles: 3,   |
| GTIN (EAN) | 4050118476231              | Pitch in mm (P): 6.10, Insulated: Yes, Width: 16 mm                   |
| Qty.       | 60 ST                      |                                                                       |
| Type       | ZQV 4N/30                  | Version                                                               |
| Order No.  | <a href="#">2561580000</a> | Cross-connector (terminal), Plugged, orange, 32 A, Number of poles:   |
| GTIN (EAN) | 4050118570113              | 30, Pitch in mm (P): 6.10, Insulated: Yes, Width: 181.7 mm            |
| Qty.       | 5 ST                       |                                                                       |
| Type       | ZQV 4N/30 BL               | Version                                                               |
| Order No.  | <a href="#">2561610000</a> | Cross-connector (terminal), Plugged, blue, 32 A, Number of poles: 30, |
| GTIN (EAN) | 4050118569971              | Pitch in mm (P): 6.10, Insulated: Yes, Width: 181.7 mm                |
| Qty.       | 5 ST                       |                                                                       |
| Type       | ZQV 4N/30 RD               | Version                                                               |
| Order No.  | <a href="#">2561600000</a> | Cross-connector (terminal), Plugged, red, 32 A, Number of poles: 30,  |
| GTIN (EAN) | 4050118569964              | Pitch in mm (P): 6.10, Insulated: Yes, Width: 181.7 mm                |
| Qty.       | 5 ST                       |                                                                       |
| Type       | ZQV 4N/32                  | Version                                                               |
| Order No.  | <a href="#">2561670000</a> | Cross-connector (terminal), Plugged, orange, 32 A, Number of poles:   |
| GTIN (EAN) | 4050118570175              | 32, Pitch in mm (P): 6.10, Insulated: Yes, Width: 193.9 mm            |
| Qty.       | 5 ST                       |                                                                       |
| Type       | ZQV 4N/4                   | Version                                                               |
| Order No.  | <a href="#">1527970000</a> | Cross-connector (terminal), Plugged, orange, 32 A, Number of poles:   |
| GTIN (EAN) | 4050118332889              | 4, Pitch in mm (P): 6.10, Insulated: Yes, Width: 22.1 mm              |
| Qty.       | 60 ST                      |                                                                       |
| Type       | ZQV 4N/4 BL                | Version                                                               |
| Order No.  | <a href="#">1528120000</a> | Cross-connector (terminal), Plugged, blue, 32 A, Number of poles: 4,  |
| GTIN (EAN) | 4050118332872              | Pitch in mm (P): 6.10, Insulated: Yes, Width: 22.1 mm                 |
| Qty.       | 60 ST                      |                                                                       |
| Type       | ZQV 4N/4 RD                | Version                                                               |
| Order No.  | <a href="#">2460800000</a> | Cross-connector (terminal), Plugged, red, 32 A, Number of poles: 4,   |
| GTIN (EAN) | 4050118476224              | Pitch in mm (P): 6.10, Insulated: Yes, Width: 22.1 mm                 |
| Qty.       | 60 ST                      |                                                                       |

## WTR 4/O.TNHE

**Weidmüller Interface GmbH & Co. KG**

Klingenbergstraße 26  
D-32758 Detmold  
Germany

www.weidmueller.com

## Accessories

|            |                            |                                                                       |
|------------|----------------------------|-----------------------------------------------------------------------|
| Type       | ZQV 4N/5                   | Version                                                               |
| Order No.  | <a href="#">1527980000</a> | Cross-connector (terminal), Plugged, orange, 32 A, Number of poles:   |
| GTIN (EAN) | 4050118332759              | 5, Pitch in mm (P): 6.10, Insulated: Yes, Width: 28.2 mm              |
| Qty.       | 60 ST                      |                                                                       |
| Type       | ZQV 4N/5 BL                | Version                                                               |
| Order No.  | <a href="#">1528140000</a> | Cross-connector (terminal), Plugged, blue, 32 A, Number of poles: 5,  |
| GTIN (EAN) | 4050118333015              | Pitch in mm (P): 6.10, Insulated: Yes, Width: 28.2 mm                 |
| Qty.       | 60 ST                      |                                                                       |
| Type       | ZQV 4N/5 RD                | Version                                                               |
| Order No.  | <a href="#">2460790000</a> | Cross-connector (terminal), Plugged, red, 32 A, Number of poles: 5,   |
| GTIN (EAN) | 4050118476217              | Pitch in mm (P): 6.10, Insulated: Yes, Width: 28.2 mm                 |
| Qty.       | 60 ST                      |                                                                       |
| Type       | ZQV 4N/50                  | Version                                                               |
| Order No.  | <a href="#">1528130000</a> | Cross-connector (terminal), Plugged, orange, 32 A, Number of poles:   |
| GTIN (EAN) | 4050118332902              | 50, Pitch in mm (P): 6.10, Insulated: Yes, Width: 303.7 mm            |
| Qty.       | 5 ST                       |                                                                       |
| Type       | ZQV 4N/50 BL               | Version                                                               |
| Order No.  | <a href="#">1528240000</a> | Cross-connector (terminal), Plugged, blue, 32 A, Number of poles: 50, |
| GTIN (EAN) | 4050118333121              | Pitch in mm (P): 6.10, Insulated: Yes, Width: 303.7 mm                |
| Qty.       | 5 ST                       |                                                                       |
| Type       | ZQV 4N/50 RD               | Version                                                               |
| Order No.  | <a href="#">2460730000</a> | Cross-connector (terminal), Plugged, red, 32 A, Number of poles: 50,  |
| GTIN (EAN) | 4050118476156              | Pitch in mm (P): 6.10, Insulated: Yes, Width: 303.7 mm                |
| Qty.       | 5 ST                       |                                                                       |
| Type       | ZQV 4N/6                   | Version                                                               |
| Order No.  | <a href="#">1527990000</a> | Cross-connector (terminal), Plugged, orange, 32 A, Number of poles:   |
| GTIN (EAN) | 4050118332919              | 6, Pitch in mm (P): 6.10, Insulated: Yes, Width: 34.3 mm              |
| Qty.       | 20 ST                      |                                                                       |
| Type       | ZQV 4N/6 BL                | Version                                                               |
| Order No.  | <a href="#">1528170000</a> | Cross-connector (terminal), Plugged, blue, 32 A, Number of poles: 6,  |
| GTIN (EAN) | 4050118332926              | Pitch in mm (P): 6.10, Insulated: Yes, Width: 34.3 mm                 |
| Qty.       | 20 ST                      |                                                                       |
| Type       | ZQV 4N/6 RD                | Version                                                               |
| Order No.  | <a href="#">2460780000</a> | Cross-connector (terminal), Plugged, red, 32 A, Number of poles: 6,   |
| GTIN (EAN) | 4050118476200              | Pitch in mm (P): 6.10, Insulated: Yes, Width: 34.3 mm                 |
| Qty.       | 20 ST                      |                                                                       |
| Type       | ZQV 4N/7                   | Version                                                               |
| Order No.  | <a href="#">1528020000</a> | Cross-connector (terminal), Plugged, orange, 32 A, Number of poles:   |
| GTIN (EAN) | 4050118332780              | 7, Pitch in mm (P): 6.10, Insulated: Yes, Width: 40.4 mm              |
| Qty.       | 20 ST                      |                                                                       |
| Type       | ZQV 4N/7 BL                | Version                                                               |
| Order No.  | <a href="#">1528180000</a> | Cross-connector (terminal), Plugged, blue, 32 A, Number of poles: 7,  |
| GTIN (EAN) | 4050118333114              | Pitch in mm (P): 6.10, Insulated: Yes, Width: 40.4 mm                 |
| Qty.       | 20 ST                      |                                                                       |
| Type       | ZQV 4N/7 RD                | Version                                                               |
| Order No.  | <a href="#">2460770000</a> | Cross-connector (terminal), Plugged, red, 32 A, Number of poles: 7,   |
| GTIN (EAN) | 4050118476194              | Pitch in mm (P): 6.10, Insulated: Yes, Width: 40.4 mm                 |
| Qty.       | 20 ST                      |                                                                       |
| Type       | ZQV 4N/8                   | Version                                                               |
| Order No.  | <a href="#">1528030000</a> | Cross-connector (terminal), Plugged, orange, 32 A, Number of poles:   |
| GTIN (EAN) | 4050118332841              | 8, Pitch in mm (P): 6.10, Insulated: Yes, Width: 46.5 mm              |
| Qty.       | 20 ST                      |                                                                       |

## WTR 4/O.TNHE

**Weidmüller Interface GmbH & Co. KG**  
 Klingenbergstraße 26  
 D-32758 Detmold  
 Germany

www.weidmueller.com

## Accessories

|            |                            |                                                                        |
|------------|----------------------------|------------------------------------------------------------------------|
| Type       | ZQV 4N/8 BL                | Version                                                                |
| Order No.  | <a href="#">1528190000</a> | Cross-connector (terminal), Plugged, blue, 32 A, Number of poles: 8,   |
| GTIN (EAN) | 4050118332858              | Pitch in mm (P): 6.10, Insulated: Yes, Width: 46.5 mm                  |
| Qty.       | 20 ST                      |                                                                        |
| Type       | ZQV 4N/8 RD                | Version                                                                |
| Order No.  | <a href="#">2460760000</a> | Cross-connector (terminal), Plugged, red, 32 A, Number of poles: 8,    |
| GTIN (EAN) | 4050118476187              | Pitch in mm (P): 6.10, Insulated: Yes, Width: 46.5 mm                  |
| Qty.       | 20 ST                      |                                                                        |
| Type       | ZQV 4N/9                   | Version                                                                |
| Order No.  | <a href="#">1528070000</a> | Cross-connector (terminal), Plugged, orange, 32 A, Number of poles: 9, |
| GTIN (EAN) | 4050118332797              | Pitch in mm (P): 6.10, Insulated: Yes, Width: 52.6 mm                  |
| Qty.       | 20 ST                      |                                                                        |
| Type       | ZQV 4N/9 BL                | Version                                                                |
| Order No.  | <a href="#">1528220000</a> | Cross-connector (terminal), Plugged, blue, 32 A, Number of poles: 9,   |
| GTIN (EAN) | 4050118333107              | Pitch in mm (P): 6.10, Insulated: Yes, Width: 52.6 mm                  |
| Qty.       | 20 ST                      |                                                                        |
| Type       | ZQV 4N/9 RD                | Version                                                                |
| Order No.  | <a href="#">2460750000</a> | Cross-connector (terminal), Plugged, red, 32 A, Number of poles: 9,    |
| GTIN (EAN) | 4050118476170              | Pitch in mm (P): 6.10, Insulated: Yes, Width: 52.6 mm                  |
| Qty.       | 20 ST                      |                                                                        |