

## HDC IP68 04A AWS 1M25

**Weidmüller Interface GmbH & Co. KG**

Klingenbergstraße 26

D-32758 Detmold

Germany

[www.weidmueller.com](http://www.weidmueller.com)



The new RockStar® enclosures are resistant to seawater and offer a high degree of shock resistance, meet IP 68 and IP 69K, and have been developed for use under extreme environmental conditions and designed for the high vibration requirements acc. to DIN EN 61373 cat. 2 (bogie). As such, this housing family is ideally suited for fault- and maintenance-free operation of heavy-duty connectors in transport and traffic engineering as well as in power engineering and in applications with extreme requirements. During development, measures were also implemented to make the enclosures extremely EMC-resistant.

### General ordering data

Version	HDC enclosures, Installation size: 1, Protection degree: IP66, IP68, IP69, in plugged condition, Bulkhead housing, Clamping yoke connection, Standard, Size of cable entries: M 25
Order No.	<a href="#">2430170000</a>
Type	HDC IP68 04A AWS 1M25
GTIN (EAN)	4050118439854
Qty.	1 items

**HDC IP68 04A AWS 1M25**

**Weidmüller Interface GmbH & Co. KG**  
 Klingenbergstraße 26  
 D-32758 Detmold  
 Germany

www.weidmueller.com

**Technical data**

**Approvals**

Approvals



ROHS Conform

**Dimensions and weights**

Depth	50 mm	Depth (inches)	1.9685 inch
Height	44 mm	Height (inches)	1.7323 inch
Width	67 mm	Width (inches)	2.6378 inch
Mounting dimension - height	41 mm	Mounting dimension - width	41 mm
Net weight	114.4 g		

**Temperatures**

Limit temperature -50 °C ... 125 °C

**Environmental Product Compliance**

RoHS Compliance Status	Compliant without exemption	
REACH SVHC	No SVHC above 0.1 wt%	
Chemical resistance	Substance	Acetone
	Chemical resistance	Resistant
	Substance	Diesel oil
	Chemical resistance	Unstable
	Substance	Ethyl alcohol
	Chemical resistance	Resistant
	Substance	Transmission oil
	Chemical resistance	Conditionally resistant
	Substance	Hydraulic oil
	Chemical resistance	Conditionally resistant
	Substance	Petroleum benzine
	Chemical resistance	Unstable
	Substance	Sweat
	Chemical resistance	Conditionally resistant
	Substance	Premium gasoline
	Chemical resistance	Unstable
	Substance	Water
Chemical resistance	Resistant	
Substance	UV	
Chemical resistance	Resistant	
Substance	Ozone	
Chemical resistance	Resistant	

**Dimensions**

Hole pitch length A2	41 mm	Cable entry	w. thread
Total length housing	50 mm	Height of housing B	44 mm

**General data**

Surface finish	Powder coating	Protection degree	IP66, IP68, IP69, in plugged condition
----------------	----------------	-------------------	----------------------------------------

## HDC IP68 04A AWS 1M25

**Weidmüller Interface GmbH & Co. KG**  
 Klingenbergstraße 26  
 D-32758 Detmold  
 Germany

[www.weidmueller.com](http://www.weidmueller.com)

## Technical data

### Version

Size of cable entries	M 25	Top part/bottom part/lid	lower part
Cover	without cover	Number of cable entry on top	0
Number of cable entry sideways	1	Design of housing	Bulkhead housing
Design of locking system	Clamping yoke connection	Design	Standard
Installation size	1	Cable entry	w. thread
Type	Bulkhead (feed-through)	Clamp version	Clamping yoke connection
Sealing	Silicone	Internal thread	M 25
Colour (RAL)	RAL 9011	BG	1
Suitable for ModuPlug®	No		

### Important note

Product information      When mounting the housings, make sure that the flat gasket is correctly seated.

### Classifications

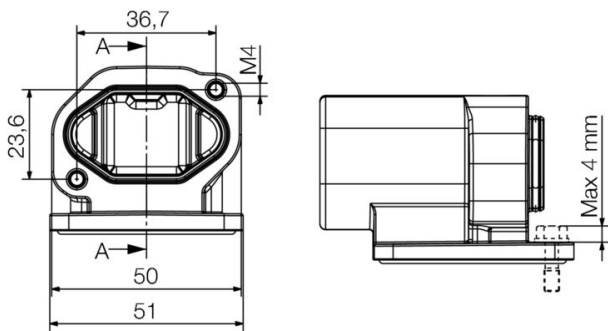
ETIM 8.0	EC000437	ETIM 9.0	EC000437
ETIM 10.0	EC000437	ECLASS 14.0	27-44-02-02
ECLASS 15.0	27-44-02-02		

HDC IP68 04A AWS 1M25

Weidmüller Interface GmbH & Co. KG  
Klingenbergstraße 26  
D-32758 Detmold  
Germany

Drawings

[www.weidmueller.com](http://www.weidmueller.com)



## HDC IP68 04A AWS 1M25

**Weidmüller Interface GmbH & Co. KG**  
 Klingenbergstraße 26  
 D-32758 Detmold  
 Germany

[www.weidmueller.com](http://www.weidmueller.com)

## Accessories

### IP68 O-ring seals



We offer a variety of accessories, including seals, to accompany the housings. Because of the excellent sealing, you can achieve the best seal possible with our housings. Extensive testing has confirmed it – RockStar® remains impermeable to water to a depth of 50 metres This allows you to use heavy-duty connectors in environments which previously required fixed-wire installation.

#### General ordering data

Type	HDC DG 04A IP68	Version	
Order No.	<a href="#">1987460000</a>	Accessories, Enclosures accessories	
GTIN (EAN)	4050118379259		
Qty.	10 ST		

### Flange seals



We offer a variety of accessories, including seals, to accompany the housings. Because of the excellent sealing, you can achieve the best seal possible with our housings. Extensive testing has confirmed it – RockStar® remains impermeable to water to a depth of 50 metres This allows you to use heavy-duty connectors in environments which previously required fixed-wire installation.

#### General ordering data

Type	HDC FLDG 04A AW IP68	Version	
Order No.	<a href="#">1987470000</a>	Accessories, Enclosures accessories	
GTIN (EAN)	4050118379204		
Qty.	10 ST		