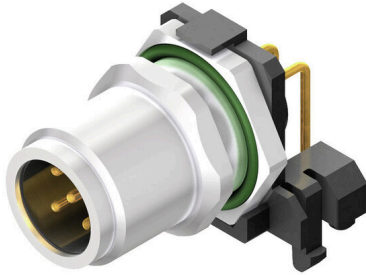


SAIEW-M12S-5S-HTL

Weidmüller Interface GmbH & Co. KG
 Klingenbergstraße 26
 D-32758 Detmold
 Germany

www.weidmueller.com

Similar to illustration



Weidmüller is one of the industry's leading international providers of connectors. An important mainstay in this product family are the circular connectors, which Weidmüller groups under the product name SAI. In the development of SAI products, Weidmüller engineers have always concentrated on achieving rational, cost-effective installation concepts, and – in cooperation with major users – have supplied the markets with well-conceived products which set standards in terms of functionality and quality across the globe. The best examples are the new power distributors with S and T coded M12. These modules are characterised by particularly high currents and voltages. This enables them to also be used, for example, with three-phase motors.

General ordering data

| | |
|------------|--|
| Version | Built-in plugs, M12, Mounting thread: M 12, Number of poles: 5, Strand / cable length: |
| Order No. | 2423750000 |
| Type | SAIEW-M12S-5S-HTL |
| GTIN (EAN) | 4050118431957 |
| Qty. | 10 items |

SAIEW-M12S-5S-HTL

Weidmüller Interface GmbH & Co. KG
Klingenbergstraße 26
D-32758 Detmold
Germany

www.weidmueller.com

Technical data

Approvals

| | |
|------|---------|
| ROHS | Conform |
|------|---------|

Dimensions and weights

| | |
|------------|--------|
| Net weight | 14.2 g |
|------------|--------|

Environmental Product Compliance

| | |
|--------------------------------------|--------------------------------------|
| RoHS Compliance Status | Compliant with exemption |
| RoHS Exemption (if applicable/known) | 6c |
| REACH SVHC | Lead 7439-92-1 |
| SCIP | Oea6d931-f9e9-40a6-89d9-8d67103189d3 |

Technical data of PCB plug-in connector

| | |
|--|--------------------------------|
| Number of poles | 5 |
| Coding | A-coded |
| Type of mounting | Rear panel mounting |
| Housings | M12 pin |
| Shield connection | Yes |
| Mounting thread | M12 |
| Nominal voltage | 60 V |
| Rated voltage | 250 V (4-pole) / 60 V (5-pole) |
| Nominal current | 4 A |
| Rated current | 4 A |
| Protection degree | IP67 |
| Contact surface | Au (Gold) |
| Housing main material | CuZn, nickel-plated |
| Connection thread | M12 |
| Tightening torque | M12: 0.8 Nm |
| Mounting thread | M 12 |
| Mounting torque range | 1.2 Nm |
| Mounting torque | max. 1.2 Nm |
| Insulation resistance | 100 MΩ |
| Pollution severity | 3 (2 within the sealed area) |
| Plugging cycles | ≥ 100 |
| Contact material | Cu-alloy |
| Lock nut material | Nickel-plated CuZn |
| Material of the flange-mounted housing | Nickel-plated CuZn |

General Info

| | | | |
|-------------------|-----------|-----------------------|---------------------|
| Number of poles | 5 | Housing main material | CuZn, nickel-plated |
| Connection thread | M12 | Contact material | Cu-alloy |
| Contact surface | Au (Gold) | Type of mounting | Rear panel mounting |
| Protection degree | IP67 | Plugging cycles | ≥ 100 |

Material data

| | | | |
|------------------|----------|-----------------|-----------|
| Contact material | Cu-alloy | Contact surface | Au (Gold) |
|------------------|----------|-----------------|-----------|

System parameters

| | | | |
|-----------------------|--------|---------------------|------|
| Number of poles | 5 | Pin series quantity | 1 |
| Insulation resistance | 100 MΩ | Protection degree | IP67 |

SAIEW-M12S-5S-HTL

Weidmüller Interface GmbH & Co. KG
Klingenbergstraße 26
D-32758 Detmold
Germany

www.weidmueller.com

Technical data

Plugging cycles ≥ 100

Important note

Notes

Classifications

| | | | |
|-------------|-------------|-------------|-------------|
| ETIM 8.0 | EC003568 | ETIM 9.0 | EC003568 |
| ETIM 10.0 | EC003568 | ECLASS 14.0 | 27-44-01-10 |
| ECLASS 15.0 | 27-44-01-10 | | |

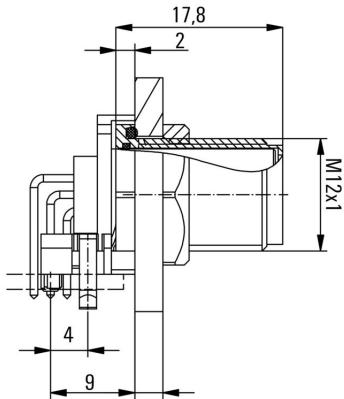
SAIEW-M12S-5S-HTL

Weidmüller Interface GmbH & Co. KG
 Klingenbergstraße 26
 D-32758 Detmold
 Germany

www.weidmueller.com

Drawings

Dimensioned drawing



PCB design



Front panel section



Pole scheme



M12 = A-coded