

SAIE-M12B-4-9SMT**Weidmüller Interface GmbH & Co. KG**Klingenbergstraße 26
D-32758 Detmold
Germany

www.weidmueller.com



Weidmüller is one of the industry's leading international providers of connectors. An important mainstay in this product family are the circular connectors, which Weidmüller groups under the product name SAI. In the development of SAI products, Weidmüller engineers have always concentrated on achieving rational, cost-effective installation concepts, and – in cooperation with major users – have supplied the markets with well-conceived products which set standards in terms of functionality and quality across the globe. The best examples are the new power distributors with S and T coded M12. These modules are characterised by particularly high currents and voltages. This enables them to also be used, for example, with three-phase motors.

General ordering data

Version	Built-in plugs, M12, Mounting thread: M 14, Number of poles: 4, Strand / cable length:
Order No.	2422300000
Type	SAIE-M12B-4-9SMT
GTIN (EAN)	4050118430998
Qty.	25 items

SAIE-M12B-4-9SMT

Weidmüller Interface GmbH & Co. KG
 Klingenbergstraße 26
 D-32758 Detmold
 Germany

www.weidmueller.com

Technical data

Approvals

ROHS Conform

Dimensions and weights

Net weight 9.04 g

Environmental Product Compliance

RoHS Compliance Status Compliant with exemption
 RoHS Exemption (if applicable/known) 6c
 REACH SVHC Lead 7439-92-1
 SCIP 0ea6d931-f9e9-40a6-89d9-8d67103189d3

Technical data of PCB plug-in connector

Number of poles 4
 Coding A-coded
 Housings M12 socket
 Installation height 9 mm
 Housing surface nickel-plated
 Shield connection No
 Mounting thread M14
 Nominal voltage 250 V
 Rated voltage 250 V (4-pole) / 60 V (5-pole) / 30 V (8-pole)
 Nominal current 4 A
 Rated current 4 A (4- and 5-pole) / 2 A (8-pole)
 Temperature range -30...80 °C
 Protection degree IP67
 Contact surface Au (Gold)
 Housing main material CuZn, nickel-plated
 Connection thread M12
 Tightening torque M12: 0.8 Nm
 Mounting thread M 14
 Mounting torque range 1.2 Nm
 Mounting torque max. 1.2 Nm
 Mounting onto the PCB SMD solder connection
 Insulation resistance 100 MΩ
 Pollution severity 3 (2 within the sealed area)
 Plugging cycles ≥ 100
 Contact material Cu-alloy
 Lock nut material Nickel-plated CuZn
 Material of the flange-mounted housing Nickel-plated CuZn

General Info

Number of poles	4	Housing main material	CuZn, nickel-plated
Connection thread	M12	Contact material	Cu-alloy
Contact surface	Au (Gold)	Protection degree	IP67
Plugging cycles	≥ 100		

Material data

Contact material	Cu-alloy	Contact surface	Au (Gold)
------------------	----------	-----------------	-----------

SAIE-M12B-4-9SMT

Weidmüller Interface GmbH & Co. KG
Klingenbergstraße 26
D-32758 Detmold
Germany

www.weidmueller.com

Technical data**System parameters**

Mounting onto the PCB	SMD solder connection	Number of poles	4
Pin series quantity	1	Insulation resistance	100 MΩ
Protection degree	IP67	Plugging cycles	≥ 100

Important note

Notes

Classifications

ETIM 8.0	EC003568	ETIM 9.0	EC003568
ETIM 10.0	EC003568	ECLASS 14.0	27-44-01-10
ECLASS 15.0	27-44-01-10		

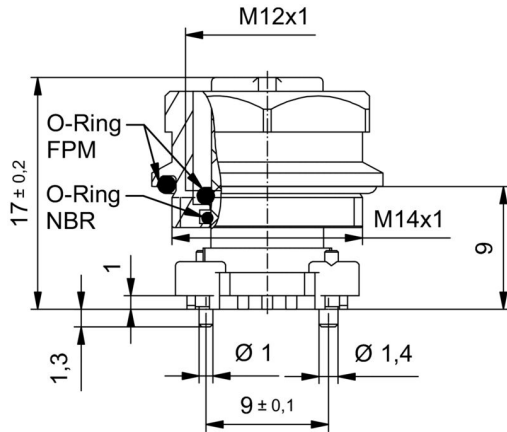
SAIE-M12B-4-9SMT

Weidmüller Interface GmbH & Co. KG
 Klingenbergstraße 26
 D-32758 Detmold
 Germany

www.weidmueller.com

Drawings

Dimensioned drawing



Pole scheme



PCB design

