

**SAID-M12B-5S-9SMT****Weidmüller Interface GmbH & Co. KG**

Klingenbergstraße 26

D-32758 Detmold

Germany

www.weidmueller.com

**Similar to illustration**

Weidmüller is one of the industry's leading international providers of connectors. An important mainstay in this product family are the circular connectors, which Weidmüller groups under the product name SAI. In the development of SAI products, Weidmüller engineers have always concentrated on achieving rational, cost-effective installation concepts, and – in cooperation with major users – have supplied the markets with well-conceived products which set standards in terms of functionality and quality across the globe. The best examples are the new power distributors with S and T coded M12. These modules are characterised by particularly high currents and voltages. This enables them to also be used, for example, with three-phase motors.

**General ordering data**

Version	Built-in plugs, M12, Mounting thread: , Number of poles: 5, Strand / cable length:
Order No.	<a href="#">2422240000</a>
Type	SAID-M12B-5S-9SMT
GTIN (EAN)	4050118430462
Qty.	25 items

## SAID-M12B-5S-9SMT

Weidmüller Interface GmbH &amp; Co. KG

Klingenbergstraße 26

D-32758 Detmold

Germany

www.weidmueller.com

## Technical data

## Approvals

ROHS Conform

## Dimensions and weights

Net weight 3.2 g

## Environmental Product Compliance

RoHS Compliance Status	Compliant with exemption
RoHS Exemption (if applicable/known)	6c
REACH SVHC	Lead 7439-92-1
SCIP	0ea6d931-f9e9-40a6-89d9-8d67103189d3

## Technical data of PCB plug-in connector

Number of poles	5	Coding	A-coded
Housings	M12 socket	Shield connection	Yes
Nominal voltage	60 V	Rated voltage	250 V (4-pole) / 60 V (5-pole) / 30 V (8-pole)
Nominal current	4 A	Rated current	4 A (4- and 5-pole) / 2 A (8-pole)
Temperature range	-25...95 °C	Protection degree	IP67
Contact surface	Au (Gold)	Housing main material	LCP
Connection thread	M12	Tightening torque	M12: 0.8 Nm
Pollution severity	3 (2 within the sealed area)	Plugging cycles	≥ 100
Contact material	Cu-alloy	Lock nut material	Nickel-plated CuZn
Material of the flange-mounted housing	Nickel-plated CuZn		

## General Info

Number of poles	5	UL 94 flammability rating	V-0
Housing main material	LCP	Connection thread	M12
Contact material	Cu-alloy	Contact surface	Au (Gold)
Protection degree	IP67	Plugging cycles	≥ 100

## Material data

UL 94 flammability rating	V-0	Contact material	Cu-alloy
Contact surface	Au (Gold)		

## System parameters

Number of poles	5	Pin series quantity	1
Protection degree	IP67	Plugging cycles	≥ 100

## Important note

Notes

## Classifications

ETIM 8.0	EC003557	ETIM 9.0	EC003557
ETIM 10.0	EC003557	ECLASS 14.0	27-44-02-23
ECLASS 15.0	27-44-02-23		

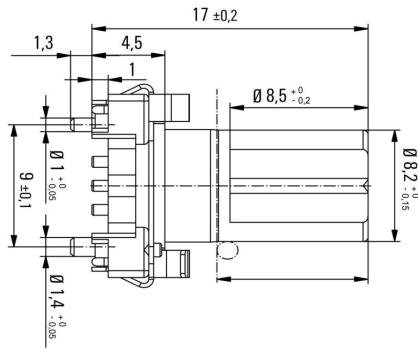
SAID-M12B-5S-9SMT

Weidmüller Interface GmbH & Co. KG  
 Klingenbergstraße 26  
 D-32758 Detmold  
 Germany

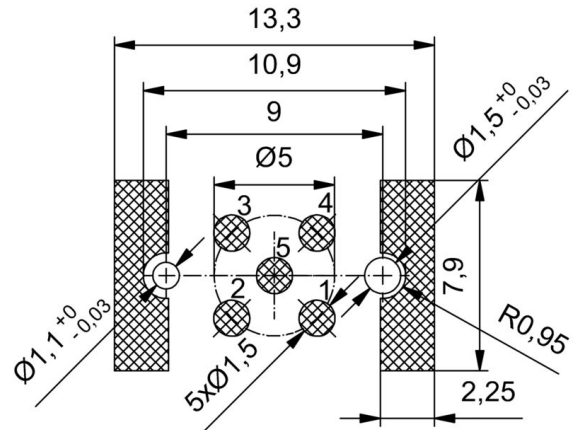
www.weidmueller.com

Drawings

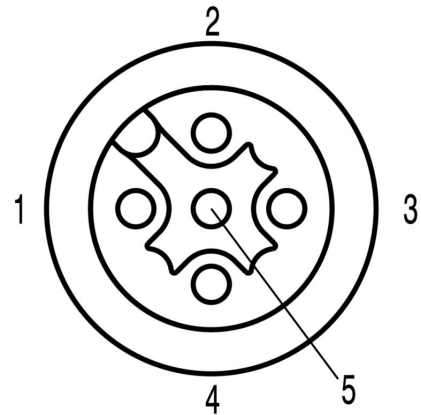
Dimensioned drawing



PCB design



Pole scheme



M12 = A-coded

## SAID-M12B-5S-9SMT

**Weidmüller Interface GmbH & Co. KG**  
 Klingenbergstraße 26  
 D-32758 Detmold  
 Germany

www.weidmueller.com

## Accessories

## Accessories



Weidmüller is one of the industry's leading international providers of connectors. An important mainstay in this product family are the circular connectors, which Weidmüller groups under the product name SAI. In the development of SAI products, Weidmüller engineers have always concentrated on achieving rational, cost-effective installation concepts, and – in cooperation with major users – have supplied the markets with well-conceived products which set standards in terms of functionality and quality across the globe. The best examples are the new power distributors with S and T coded M12. These modules are characterised by particularly high currents and voltages. This enables them to also be used, for example, with three-phase motors.

## General ordering data

Type	SAIFG-M14X1-B-1	Version
Order No.	<a href="#">2423920000</a>	Built-in plug housing, M12 socket, Installation height: 9 mm
GTIN (EAN)	4050118431803	
Qty.	25 ST	
Type	SAIFG-M14X1-B-2	Version
Order No.	<a href="#">2423950000</a>	Built-in plug housing, M12 socket, Installation height: 13 mm
GTIN (EAN)	4050118432336	
Qty.	25 ST	
Type	SAIE-KMM14X1-SW15	Version
Order No.	<a href="#">2424010000</a>	Locknut
GTIN (EAN)	4050118431230	
Qty.	25 ST	