

SAIE-M12B-5-H5.5TL-PG9

Weidmüller Interface GmbH & Co. KG
 Klingenbergstraße 26
 D-32758 Detmold
 Germany

www.weidmueller.com

Similar to illustration



Weidmüller is one of the industry's leading international providers of connectors. An important mainstay in this product family are the circular connectors, which Weidmüller groups under the product name SAI. In the development of SAI products, Weidmüller engineers have always concentrated on achieving rational, cost-effective installation concepts, and – in cooperation with major users – have supplied the markets with well-conceived products which set standards in terms of functionality and quality across the globe. The best examples are the new power distributors with S and T coded M12. These modules are characterised by particularly high currents and voltages. This enables them to also be used, for example, with three-phase motors.

General ordering data

| | |
|------------|--|
| Version | Built-in plugs, M12, Mounting thread: PG 9, Number of poles: 5, Strand / cable length: |
| Order No. | 2421980000 |
| Type | SAIE-M12B-5-H5.5TL-PG9 |
| GTIN (EAN) | 4050118430806 |
| Qty. | 10 items |

SAIE-M12B-5-H5.5TL-PG9

Weidmüller Interface GmbH & Co. KG
 Klingenbergstraße 26
 D-32758 Detmold
 Germany

www.weidmueller.com

Technical data

Approvals

ROHS Conform

Dimensions and weights

Net weight 20 g

Environmental Product Compliance

RoHS Compliance Status Compliant with exemption
 RoHS Exemption (if applicable/known) 6c
 REACH SVHC Lead 7439-92-1
 SCIP 0ea6d931-f9e9-40a6-89d9-8d67103189d3

Technical data of PCB plug-in connector

Number of poles 5
 Coding A-coded
 Type of mounting Rear panel mounting
 Housings M12 socket
 Installation height 5.5 mm
 Shield connection No
 Mounting thread PG9
 Nominal voltage 60 V
 Rated voltage 250 V (4-pole) / 60 V (5-pole) / 30 V (8-pole)
 Nominal current 4 A
 Rated current 4 A (4- and 5-pole) / 2 A (8-pole)
 Temperature range -30...80 °C
 Protection degree IP67
 Contact surface Au (Gold)
 Housing main material CuZn, nickel-plated
 Connection thread M12
 Tightening torque M12: 0.8 Nm
 Mounting thread PG 9
 Mounting torque range 1.2 Nm
 Mounting torque max. 1.2 Nm
 Insulation resistance 100 MΩ
 Pollution severity 3 (2 within the sealed area)
 Plugging cycles ≥ 100
 Contact material Cu-alloy
 Lock nut material Nickel-plated CuZn
 Material of the flange-mounted housing Nickel-plated CuZn

General Info

| | | | |
|-------------------|-----------|-----------------------|---------------------|
| Number of poles | 5 | Housing main material | CuZn, nickel-plated |
| Connection thread | M12 | Contact material | Cu-alloy |
| Contact surface | Au (Gold) | Type of mounting | Rear panel mounting |
| Protection degree | IP67 | Plugging cycles | ≥ 100 |

Material data

| | | | |
|------------------|----------|-----------------|-----------|
| Contact material | Cu-alloy | Contact surface | Au (Gold) |
|------------------|----------|-----------------|-----------|

SAIE-M12B-5-H5.5TL-PG9

Weidmüller Interface GmbH & Co. KG
Klingenbergstraße 26
D-32758 Detmold
Germany

www.weidmueller.com

Technical data**System parameters**

| | | | |
|-----------------------|--------|---------------------|------|
| Number of poles | 5 | Pin series quantity | 1 |
| Insulation resistance | 100 MΩ | Protection degree | IP67 |
| Plugging cycles | ≥ 100 | | |

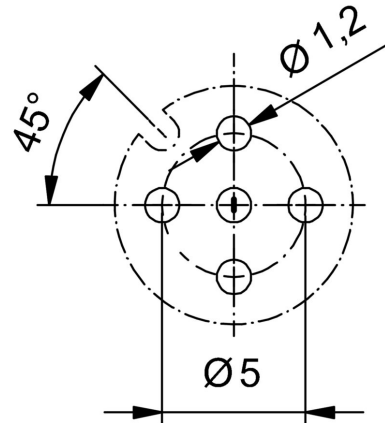
Important note

Notes

Classifications

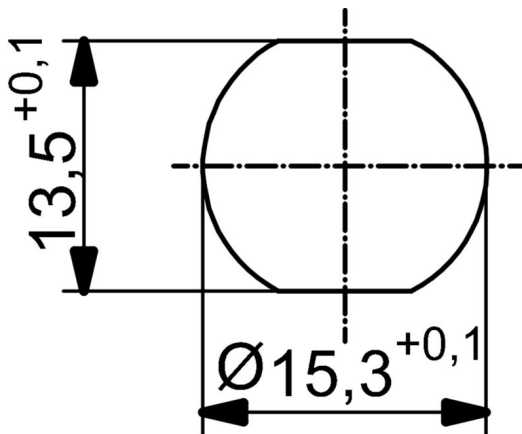
| | | | |
|-------------|-------------|-------------|-------------|
| ETIM 8.0 | EC003568 | ETIM 9.0 | EC003568 |
| ETIM 10.0 | EC003568 | ECLASS 14.0 | 27-44-01-10 |
| ECLASS 15.0 | 27-44-01-10 | | |

PCB design

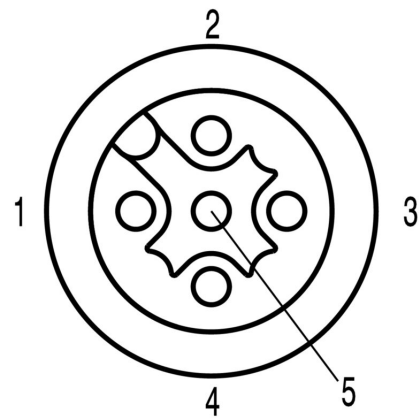


L(board-to-board distance) = 5,5mm
 D1 = 5,0 mm D2 = 1,6 mm

Front panel section



Pole scheme



M12 = A-coded