

## SAIE-M12B-5S-H6.75TL

**Weidmüller Interface GmbH & Co. KG**

Klingenbergstraße 26

D-32758 Detmold

Germany

[www.weidmueller.com](http://www.weidmueller.com)



Weidmüller is one of the industry's leading international providers of connectors. An important mainstay in this product family are the circular connectors, which Weidmüller groups under the product name SAI. In the development of SAI products, Weidmüller engineers have always concentrated on achieving rational, cost-effective installation concepts, and – in cooperation with major users – have supplied the markets with well-conceived products which set standards in terms of functionality and quality across the globe. The best examples are the new power distributors with S and T coded M12. These modules are characterised by particularly high currents and voltages. This enables them to also be used, for example, with three-phase motors.

### General ordering data

Version	Built-in plugs, M12, Mounting thread: M 16, Number of poles: 5, Strand / cable length:
Order No.	<a href="#">2421910000</a>
Type	SAIE-M12B-5S-H6.75TL
GTIN (EAN)	4050118430745
Qty.	10 items

**SAIE-M12B-5S-H6.75TL**

**Weidmüller Interface GmbH & Co. KG**  
 Klingenbergstraße 26  
 D-32758 Detmold  
 Germany

www.weidmueller.com

**Technical data**

**Approvals**

ROHS Conform

**Dimensions and weights**

Net weight 20 g

**Environmental Product Compliance**

RoHS Compliance Status Compliant with exemption  
 RoHS Exemption (if applicable/known) 6c  
 REACH SVHC Lead 7439-92-1  
 SCIP 0ea6d931-f9e9-40a6-89d9-8d67103189d3

**Technical data of PCB plug-in connector**

Number of poles 5  
 Coding A-coded  
 Type of mounting Rear panel mounting  
 Housings M12 socket  
 Installation height 6.75 mm  
 Housing surface nickel-plated  
 Shield connection Yes  
 Mounting thread M16  
 Nominal voltage 60 V  
 Rated voltage 250 V (4-pole) / 60 V (5-pole) / 30 V (8-pole)  
 Nominal current 4 A  
 Rated current 4 A (5-pole)/ 2 A (8-pole)  
 Temperature range -30...80 °C  
 Protection degree IP67  
 Contact surface Au (Gold)  
 Housing main material CuZn, nickel-plated  
 Connection thread M12  
 Tightening torque M12: 0.8 Nm  
 Mounting thread M 16  
 Mounting torque range 1.2 Nm  
 Mounting torque max. 1.2 Nm  
 Mounting onto the PCB THT solder connection  
 Insulation resistance 100 MΩ  
 Pollution severity 3 (2 within the sealed area)  
 Plugging cycles ≥ 100  
 Contact material Cu-alloy  
 Lock nut material Nickel-plated CuZn  
 Material of the flange-mounted housing Nickel-plated CuZn

**General Info**

Number of poles	5	Housing main material	CuZn, nickel-plated
Connection thread	M12	Contact material	Cu-alloy
Contact surface	Au (Gold)	Type of mounting	Rear panel mounting
Protection degree	IP67	Plugging cycles	≥ 100

**Material data**

Contact material	Cu-alloy	Contact surface	Au (Gold)
------------------	----------	-----------------	-----------

**SAIE-M12B-5S-H6.75TL**

**Weidmüller Interface GmbH & Co. KG**  
Klingenbergstraße 26  
D-32758 Detmold  
Germany

[www.weidmueller.com](http://www.weidmueller.com)

**Technical data****System parameters**

Mounting onto the PCB	THT solder connection	Number of poles	5
Pin series quantity	1	Insulation resistance	100 MΩ
Protection degree	IP67	Plugging cycles	≥ 100

**Important note**

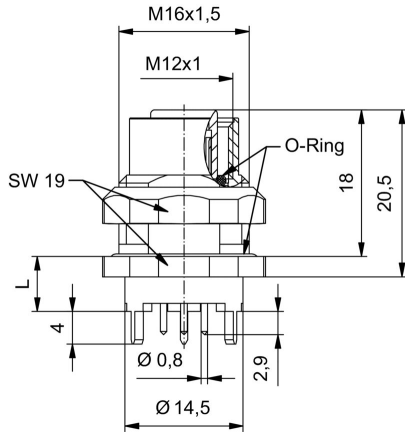
Notes

**Classifications**

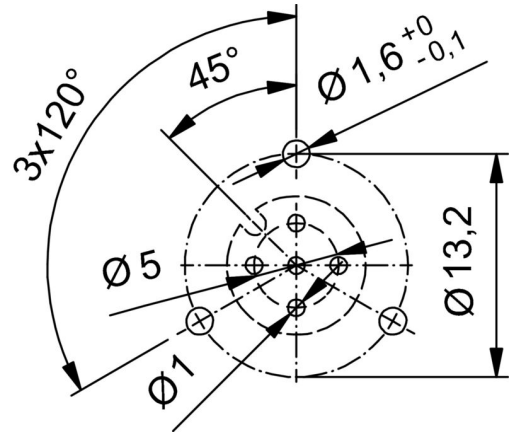
ETIM 8.0	EC003568	ETIM 9.0	EC003568
ETIM 10.0	EC003568	ECLASS 14.0	27-44-01-10
ECLASS 15.0	27-44-01-10		

**Drawings**

**Dimensioned drawing**



**PCB design**



**Pole scheme**

