

**SAIE-M12B-5S-H6.75TL****Weidmüller Interface GmbH & Co. KG**

Klingenbergstraße 26

D-32758 Detmold

Germany

[www.weidmueller.com](http://www.weidmueller.com)

Weidmüller is one of the industry's leading international providers of connectors. An important mainstay in this product family are the circular connectors, which Weidmüller groups under the product name SAI. In the development of SAI products, Weidmüller engineers have always concentrated on achieving rational, cost-effective installation concepts, and – in cooperation with major users – have supplied the markets with well-conceived products which set standards in terms of functionality and quality across the globe. The best examples are the new power distributors with S and T coded M12. These modules are characterised by particularly high currents and voltages. This enables them to also be used, for example, with three-phase motors.

**General ordering data**

|            |  |
|------------|--|
| Version    | Built-in plugs, M12, Mounting thread: M 16, Number of poles: 5, Strand / cable length: |
| Order No.  | <a href="#">2421910000</a>   |
| Type       | SAIE-M12B-5S-H6.75TL   |
| GTIN (EAN) | 4050118430745  |
| Qty.       | 10 items   |

## SAIE-M12B-5S-H6.75TL

Weidmüller Interface GmbH &amp; Co. KG

Klingenbergstraße 26

D-32758 Detmold

Germany

www.weidmueller.com

## Technical data

## Approvals

|      |         |
|------|---------|
| ROHS | Conform |
|------|---------|

## Dimensions and weights

|            |      |
|------------|------|
| Net weight | 20 g |
|------------|------|

## Environmental Product Compliance

|                                      |                                      |
|--------------------------------------|--------------------------------------|
| RoHS Compliance Status               | Compliant with exemption             |
| RoHS Exemption (if applicable/known) | 6c                                   |
| REACH SVHC                           | Lead 7439-92-1                       |
| SCIP                                 | Oea6d931-f9e9-40a6-89d9-8d67103189d3 |

## Technical data of PCB plug-in connector

|  |  |        |  |
|--|--|--------|--|
| Number of poles                        | 5  |        |  |
| Coding                                 | A-coded  |        |  |
| Type of mounting                       | Rear panel mounting                            |        |  |
| Housings                               | M12 socket                                     |        |  |
| Installation height                    | 6.75 mm  |        |  |
| Housing surface                        | nickel-plated                                  |        |  |
| Shield connection                      | Yes  |        |  |
| Mounting thread                        | M16  |        |  |
| Nominal voltage                        | 60 V   |        |  |
| Rated voltage                          | 250 V (4-pole) / 60 V (5-pole) / 30 V (8-pole) |        |  |
| Nominal current                        | 4 A  |        |  |
| Rated current                          | 4 A (5-pole) / 2 A (8-pole)                    |        |  |
| Temperature range                      | -30...80 °C                                    |        |  |
| Protection degree                      | IP67   |        |  |
| Contact surface                        | Au (Gold)                                      |        |  |
| Housing main material                  | CuZn, nickel-plated                            |        |  |
| Connection thread                      | M12  |        |  |
| Tightening torque                      | M12: 0.8 Nm                                    |        |  |
| Mounting thread                        | M 16   |        |  |
| Mounting torque range                  | 1.2 Nm   |        |  |
| Mounting torque                        | max.   | 1.2 Nm |  |
| Mounting onto the PCB                  | THT solder connection                          |        |  |
| Insulation resistance                  | 100 MΩ   |        |  |
| Pollution severity                     | 3 (2 within the sealed area)                   |        |  |
| Plugging cycles                        | ≥ 100  |        |  |
| Contact material                       | Cu-alloy                                       |        |  |
| Lock nut material                      | Nickel-plated CuZn                             |        |  |
| Material of the flange-mounted housing | Nickel-plated CuZn                             |        |  |

## General Info

|                   |           |                       |                     |
|-------------------|-----------|-----------------------|---------------------|
| Number of poles   | 5         | Housing main material | CuZn, nickel-plated |
| Connection thread | M12       | Contact material      | Cu-alloy            |
| Contact surface   | Au (Gold) | Type of mounting      | Rear panel mounting |
| Protection degree | IP67      | Plugging cycles       | ≥ 100               |

## Material data

|                  |          |                 |           |
|------------------|----------|-----------------|-----------|
| Contact material | Cu-alloy | Contact surface | Au (Gold) |
|------------------|----------|-----------------|-----------|

**SAIE-M12B-5S-H6.75TL**

**Weidmüller Interface GmbH & Co. KG**  
Klingenbergstraße 26  
D-32758 Detmold  
Germany

[www.weidmueller.com](http://www.weidmueller.com)

**Technical data****System parameters**

|                       |                       |                       |        |
|-----------------------|-----------------------|-----------------------|--------|
| Mounting onto the PCB | THT solder connection | Number of poles       | 5      |
| Pin series quantity   | 1                     | Insulation resistance | 100 MΩ |
| Protection degree     | IP67                  | Plugging cycles       | ≥ 100  |

**Important note**

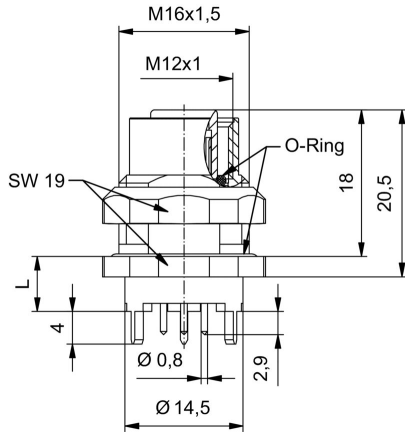
Notes

**Classifications**

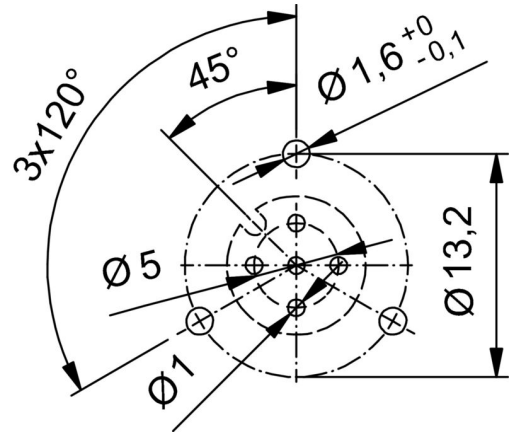
|             |             |             |             |
|-------------|-------------|-------------|-------------|
| ETIM 8.0    | EC003568    | ETIM 9.0    | EC003568    |
| ETIM 10.0   | EC003568    | ECLASS 14.0 | 27-44-01-10 |
| ECLASS 15.0 | 27-44-01-10 |             |             |

Drawings

Dimensioned drawing



PCB design



Pole scheme

